

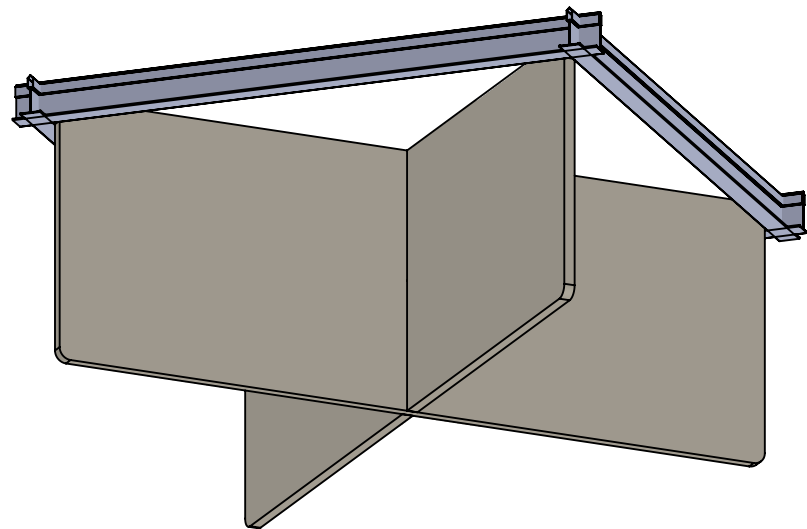
15/16" T-GRID

12mm PET BAFFLE

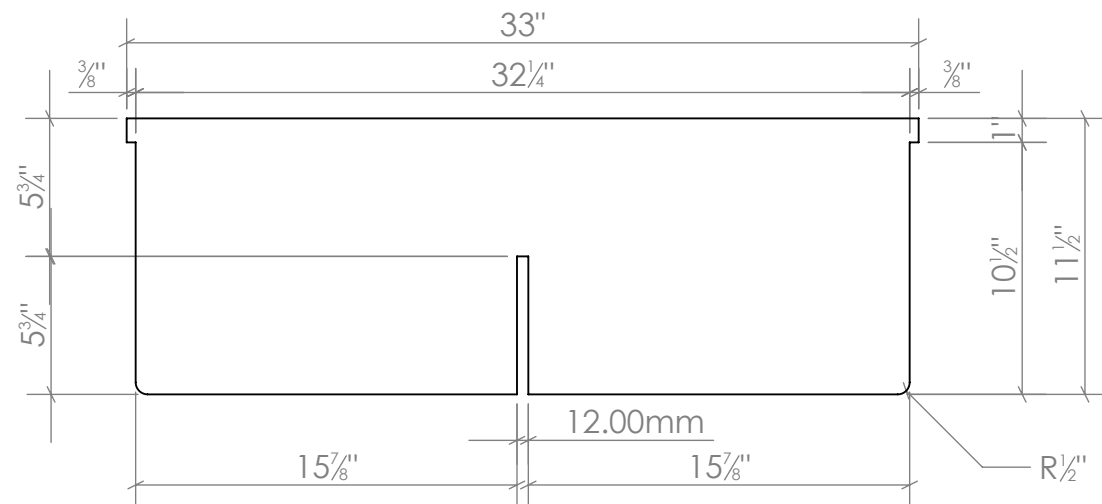
1
sheet 1

5th DIMENSIONAL BAFFLE w/ T-GRID - BOTTOM ISOMETRIC

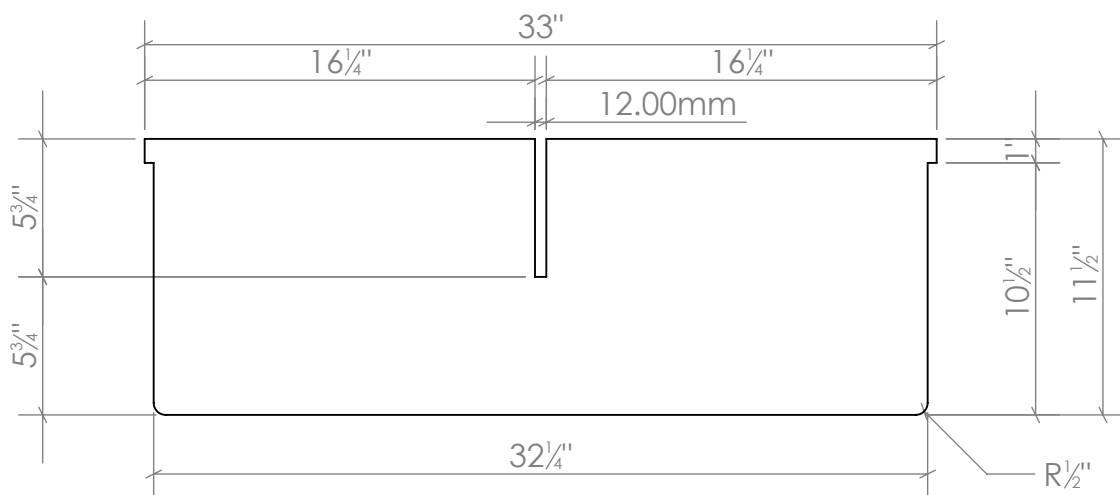
DESCRIPTION: PET Baffles - 12mm PET - 2 Piece System - 2'x2' 15/16" T-Grid Layout DESIGNER: W. Foster		SONUS	
REVISIONS: O.D. - 9/11/2022 REV 1 - 9/12/22 REV 2 - 10/6/22 REV 3 - 10/17/23		TITLE: 5th DIMENSIONAL	
PROPRIETARY AND CONFIDENTIAL <small>THE INFORMATION CONTAINED IN THIS DRAWING IS THE SOLE PROPERTY OF SONUS NORTH AMERICA. ANY REPRODUCTION IN PART OR AS A WHOLE WITHOUT THE WRITTEN PERMISSION OF SONUS NORTH AMERICA IS PROHIBITED.</small>		FILE NAME: 1.12-1-001	DATE: 10/17/2023
SCALE 1:8	SONUSNA.COM	JOB # 2-2.12	SHEET 1 OF 3



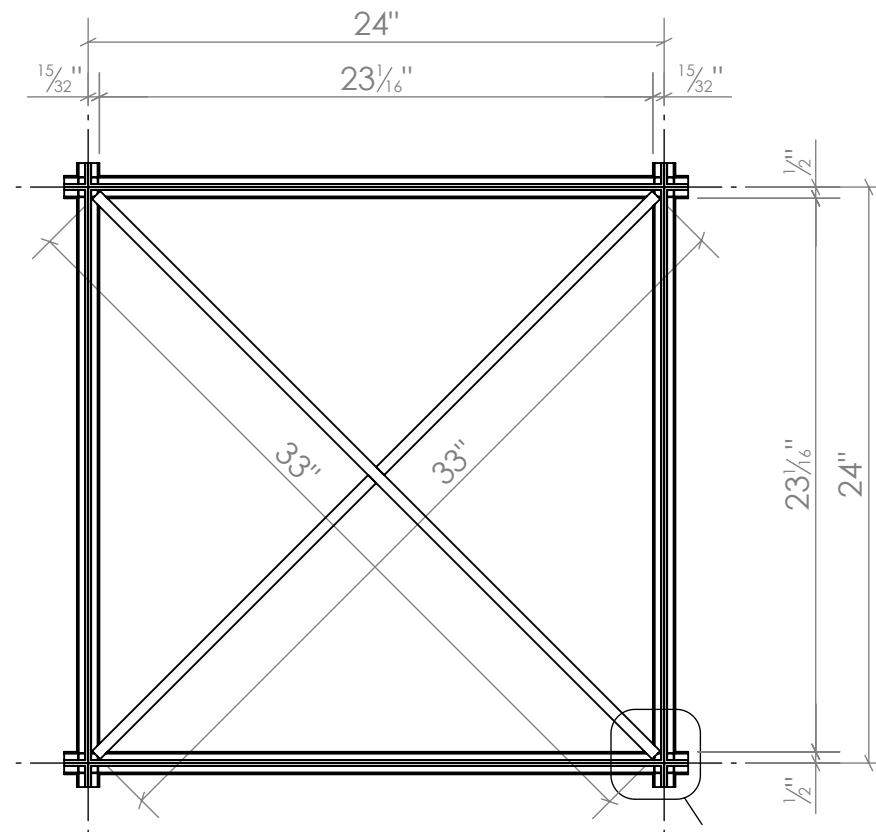
1
sheet 2 **5th DIMENSIONAL BAFFLE - BOTTOM ISOMETRIC**



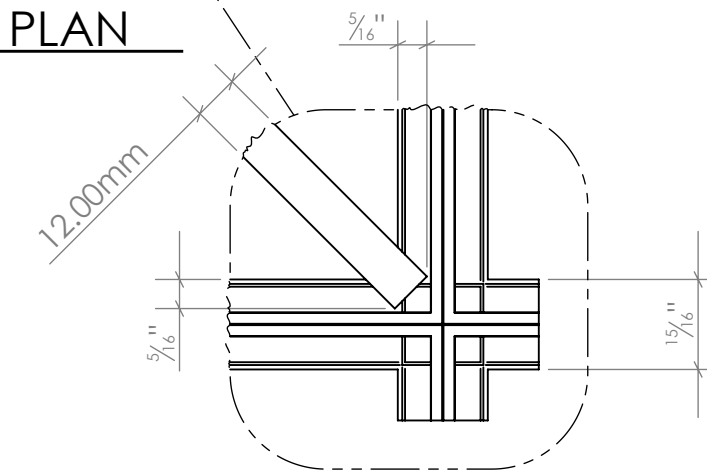
2
sheet 2 **5th DIMENSIONAL, TOP BAFFLE - ELEVATION**



3
sheet 2 **5th DIMENSIONAL, BOTTOM BAFFLE - ELEVATION**

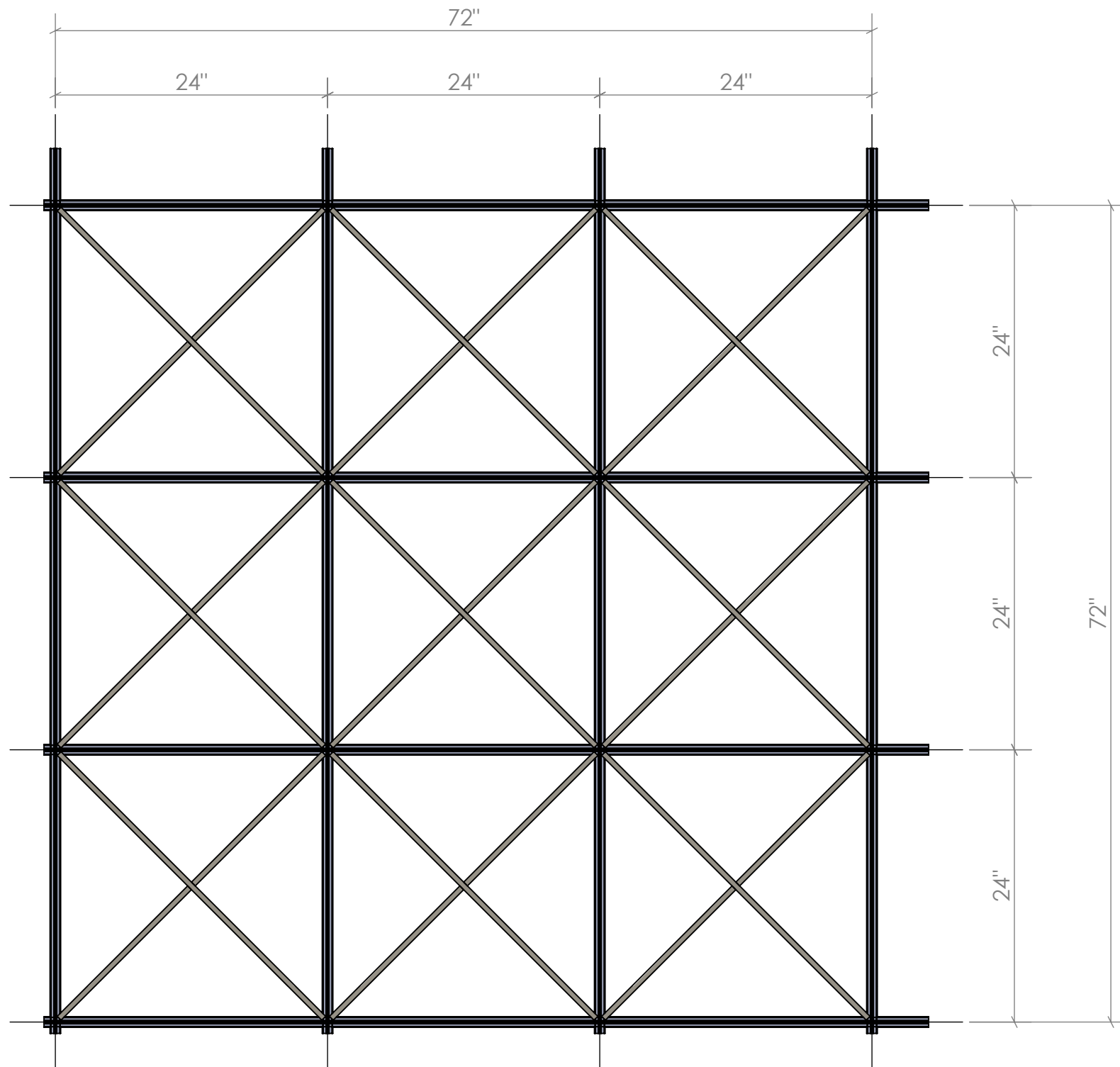


4
sheet 2 **5th DIMENSIONAL BAFFLE - PLAN**



5
sheet 2 **DETAIL - CORNER**
SCALE - 1:2

DESCRIPTION: PET Baffles - 12mm PET - 2 Piece System - 2'x2' 15/16" T-Grid Layout		SONUS	
DESIGNER: <i>W. Foster</i>		TITLE: 5th DIMENSIONAL	
REVISIONS: O.D. - 9/11/2022	PROPRIETARY AND CONFIDENTIAL	FILE NAME:	DATE:
REV 1 - 9/12/22	THE INFORMATION CONTAINED IN THIS DRAWING IS THE SOLE PROPERTY OF SONUS NORTH AMERICA. ANY REPRODUCTION IN PART OR AS A WHOLE WITHOUT THE WRITTEN PERMISSION OF SONUS NORTH AMERICA IS PROHIBITED.	1.12-1-001	10/17/2023
REV 2 - 10/6/22			
REV 3 - 10/17/23			
SCALE 1:8	SONUSNA.COM	JOB # 2-2.12	SHEET 2 OF 3



1
sheet 3

5th DIMENSIONAL BAFFLE w/ T-GRID - PLAN

DESCRIPTION: PET Baffles - 12mm PET - 2 Piece System - 2'x2' 15/16" T-Grid Layout		SONUS	
REVISIONS: O.D. - 9/11/2022		TITLE: 5th DIMENSIONAL	
REV 1 - 9/12/22	PROPRIETARY AND CONFIDENTIAL	FILE NAME:	DATE:
REV 2 - 10/6/22	THE INFORMATION CONTAINED IN THIS DRAWING IS THE SOLE PROPERTY OF SONUS NORTH AMERICA. ANY REPRODUCTION IN PART OR AS A WHOLE WITHOUT THE WRITTEN PERMISSION OF SONUS NORTH AMERICA IS PROHIBITED.	1.12-1-001	10/17/2023
REV 3 - 10/17/23		JOB # 2-2.12	SHEET 3 OF 3
SCALE 1:12	SONUSNA.COM		

DESIGNER: W. Foster