

## Loda & Loda LED Suspended Wood Baffle

Real wood, superior acoustic core, flexible installation options, priced right. Loda throws the old “high quality, lower cost, done quickly — pick two” maxim right out the window.

Wood in spaces adds a warmth that discerning modern design sometimes lacks. Loda lets designers leave tired skeumorphic solutions in the past where they belong.

### Features

- Optional integrated LED light solves for sound and light
- Loda looks like one solid beautiful piece of *real* timber, but has the noise deadening of Sonus’ industry-best acoustic material
- Designed with a strategically centered hardboard to reflect unabsorbed sound waves back into the high density acoustic core for optimal performance
- Flexible hardware options for free suspended, gridded, or direct-mount applications
- .85 NRC value unlike imposter PET products

# Loda & Loda LED

Size	Length: 48", 60", 96". Height: 9", 12", 20"
Thickness	2.5" (nominal)
Weight	3.4 lbs per sq ft
Tolerance	+/- 1/16"
Core	High-density fiberglass reinforced surface applied to a light weight particle wood and hardboard skeleton. Core comprised of Class A 6–7 pcf fiberglass, affixed to a rigid, acoustically reflective, center barrier.
Edge Detail	Square and Edge Banded
Surface Detail	Wood Veneer
Installation Type	Suspended
Fire Performance	Class A
NRC	.85
Unit of Sale	Per Carton: 4

## Our Craftsmanship Guarantee is really simple:

If there is a craftsmanship defect detected, we will repair or replace the impacted product.

If the product was damaged during shipping and it was because of how we packaged it, we will repair or replace the impacted product.

The length of our guarantee is five (5) years provided you used a Certified PRO Installer; otherwise, it is a standard three (3) years.

## Lead Time

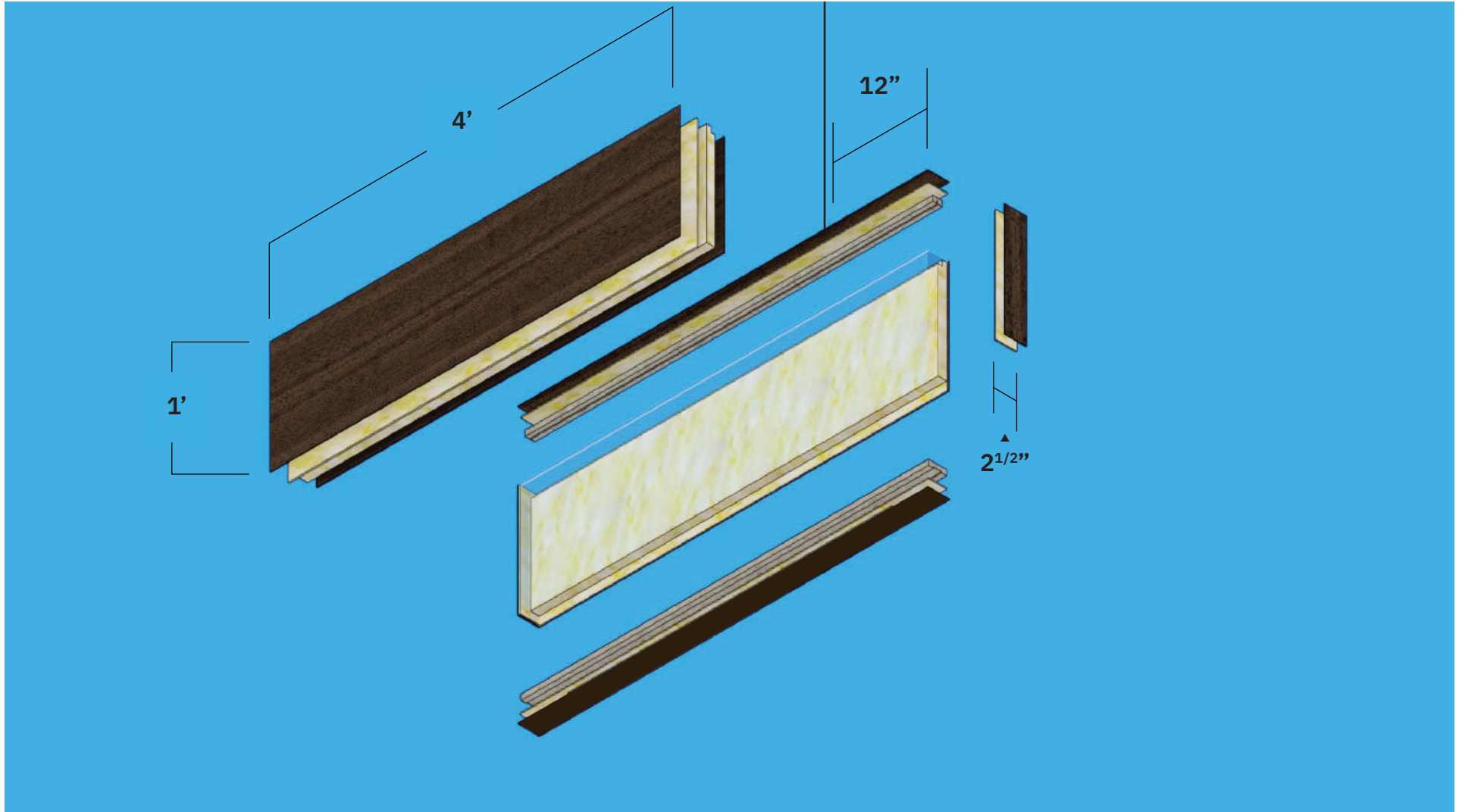
Standard Sizes and Coverings: 2–3 Weeks  
Custom Sizes and Coverings: 6–8 Weeks\*

\*any customer supplied coverings may require additional time for delivery and testing. Additionally, wood veneers require perforation. Anything not in stock requires an additional 4-6 weeks.

## Custom Shop

Need something unique? Want to co-create actionable solutions that improve the human experience? We believe, together, we can ideate, design, and build solutions, that create unique experiences. Call us to discuss our Custom Shop program.

# Loda & Loda LED



# Loda & Loda LED



## Standard Species and Stains



**Maple**  
Flat Cut



**Cherry**  
Flat Cut



**Red Oak**  
Flat Cut



**Oak**  
Whiterift



**Walnut**  
Flat Cut

**Non-standard Species and Stains**  
Over 100 species and cuts available.

Proudly partnering with



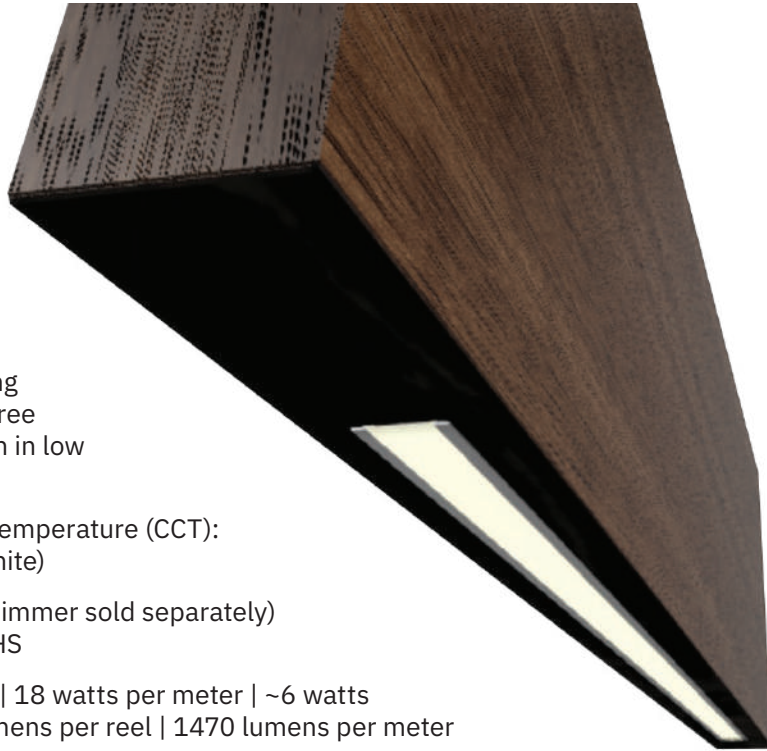


# Loda & Loda LED

## LED Specs

- Continuous lighting strips—Hotspot-free appearance (even in low profile channels)
- Correlated color temperature (CCT): 3,000K (warm white)
- Fully dimmable (dimmer sold separately)
- UL Listed and RoHS
- 90 watts per reel | 18 watts per meter | ~6 watts per foot 7350 lumens per reel | 1470 lumens per meter
- Power supply varies by application (sold separately). We generally recommend using a power supply rated for at least 20% higher wattage than the lighting. We recommend and can supply Meanwell products. Keeping drivers close to lighting helps prevent voltage drop issues.
- Baffle suspension has integrated low-voltage wire - length from baffle to ceiling required at time of order.

Sonus' responsibility of lighting ends with low volt wire to the ceiling. An electrician is responsible for identifying correct wiring, power supply, and connections to a power source. Sonus can supply Driver and Dimmer upon request or the electrician can supply.



## GripLock® 15Z-1420e-394-T2 Cable Gripper Specs

- Side cable exit Gripper
- 1/4-20 x 0.394" external thread
- For use with 3/64" – 1/16" 7 x 7 or 7 x 19 aircraft cable only
- Standard release
- Color: silver
- Hardware installed on 24" or 48" oc for standard sizes
- Installer responsible for aircraft wire and ceiling-side mounts (Sonus can supply on request)

