



sonus

Planks

Surface-Mounted Wood Panels

Don't walk the plank...be the plank. One of our more fun designs - the Planks. Four (4) foot sections of wood veneer cut at 15o angles and six (8) inches wide allowing you to design motion arrows, simulate walls, or create shapes that attract intrigue from all those that pass by. Providing additional sound control with flexible design.

Features

- Easy to install
- Uses the highest-quality fiberglass core that hardened edges for stability
- Wood veneer adhered to core using patented VACU-BOND® process
- Corners are meticulously tailored for a beautifully finished product

Planks

Size	8" x 48"
Thickness	1" or 2"
Tolerance	+/- 1/16"
Core	6-7lb Fiberglass Board
Edge Detail	Hardened or wrapped
Edge Profile	Square
Mounting Type	Wall
Mounting Hardware	Impaler clips, Rotofast, Z Clips
Flamability	ASTM 84 Class A
NRC	1" = 0.80 and 2" = 1.00 – see brochure for details by size

Our craftsmanship guarantee is really simple:

If there is a craftsmanship defect detected, we will repair or replace the impacted product.

If the product was damaged during shipping and it was because of how we packaged it, we will repair or replace the impacted product.

The length of our guarantee is five (5) years provided you used a Certified PRO Installer; otherwise, it is a standard three (3) years.

For more details, see warranty details on our website.

Lead Time

Standard sizes and coverings: 2-3 weeks

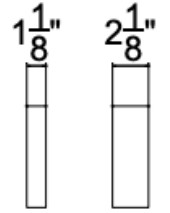
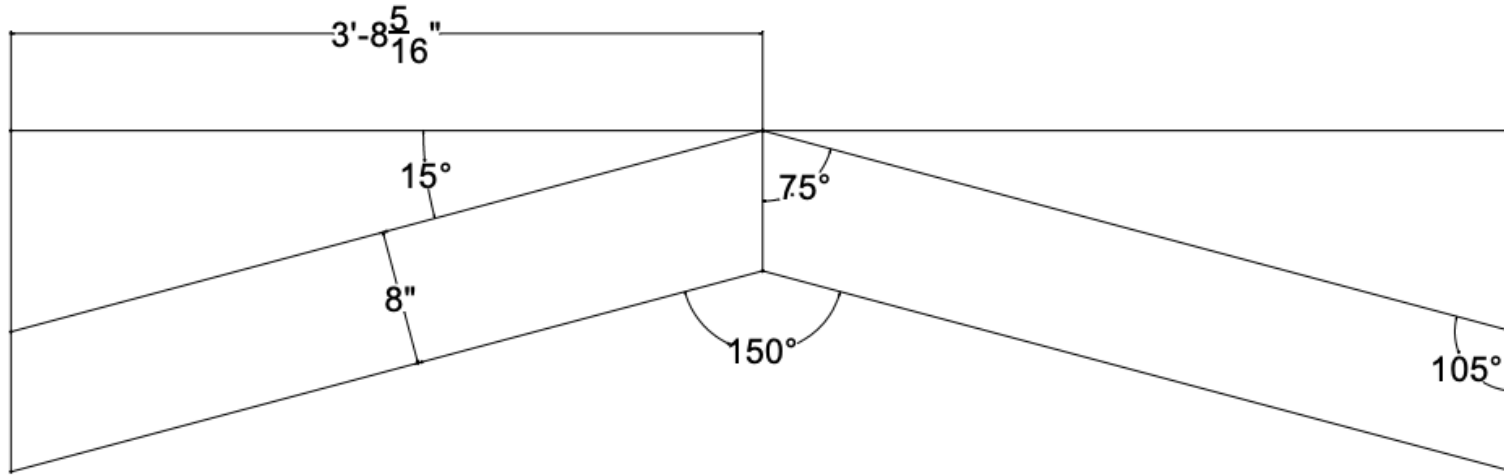
Custom sizes and coverings: 6-8 weeks

* any customer supplied coverings may require additional time for delivery and testing. Additionally, wood veneers require perforation. Any wood veneers not in stock require an additional 4-6 weeks.

Custom Shop

Need something unique? Want to co-create actionable solutions that improve the human experience? We believe, TOGETHER, we can ideate, design, and build solutions that create unique experiences. Call us to discuss our Custom Shop program.

Planks



Sound Absorption

Hz	125	250	500	1000	2000	4000	N.R.C
DAP-1"	.02	.37	.87	1.09	1.01	1.00	.85
DAP-2"	.21	.78	1.04	1.07	1.06	1.04	1.05

Planks



Walnut
Flat-Cut-JAC



Sapele
Quarter-Cut-JAC



Maple
White-Flat-Cut-JAC

Non-Standard

Available in over 100 species and cuts, SanFoot is nature's palette.

Proudly partnering with



Monitors and printers vary. Please request a material sample to verify materials and colors.