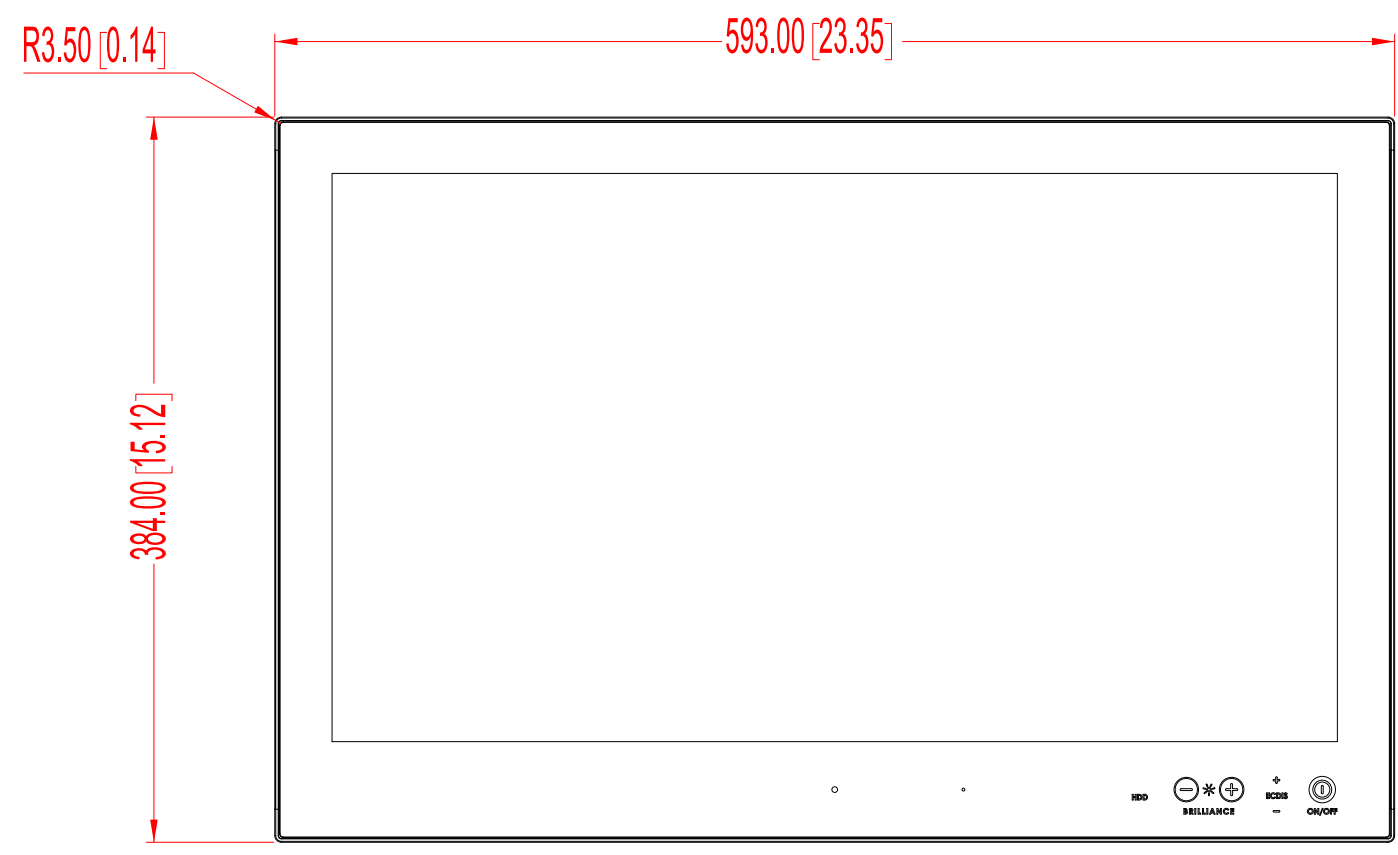
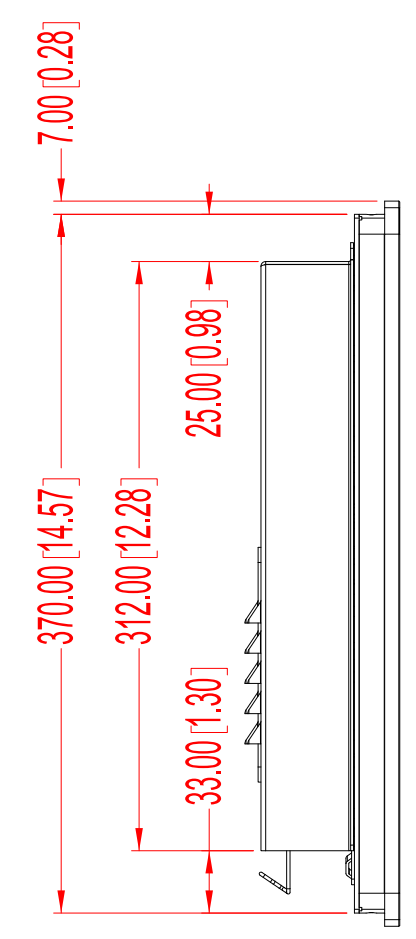


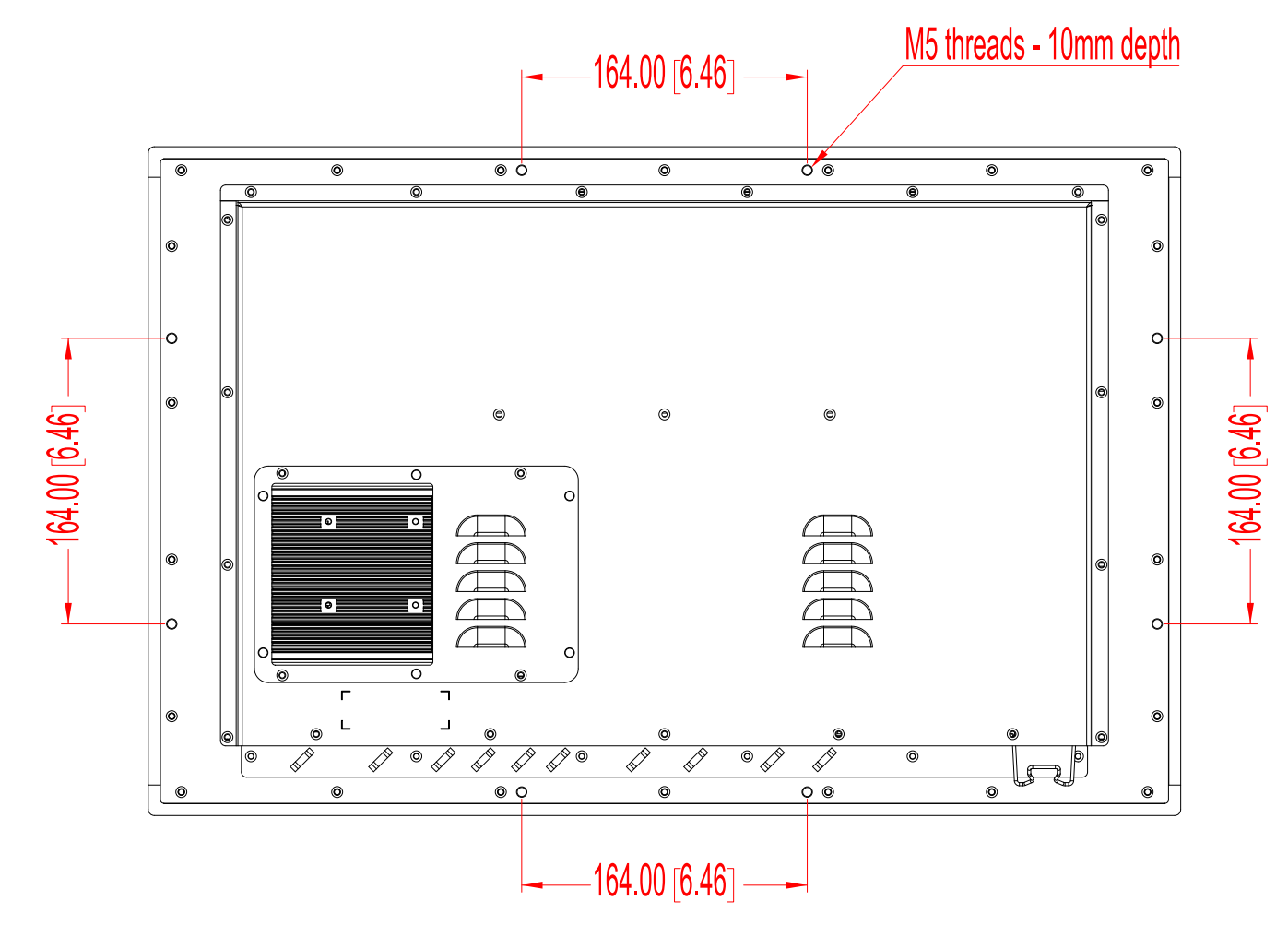
### FRONT VIEW



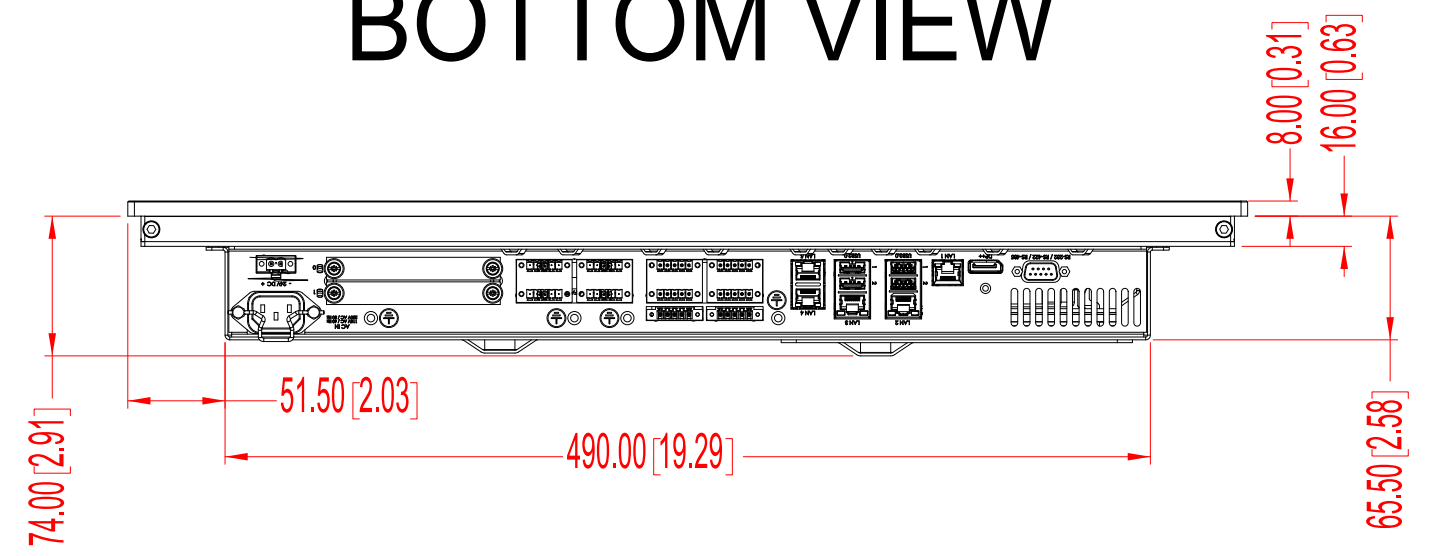
### SIDE VIEW



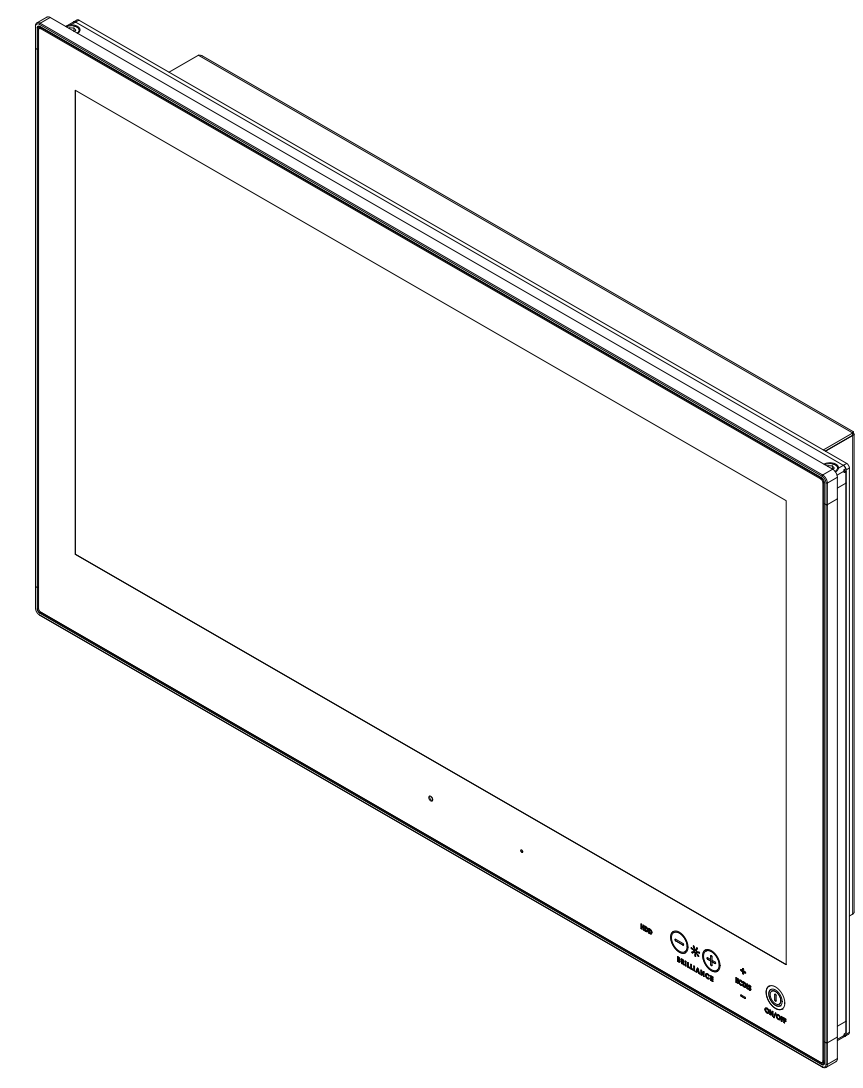
### BACK VIEW



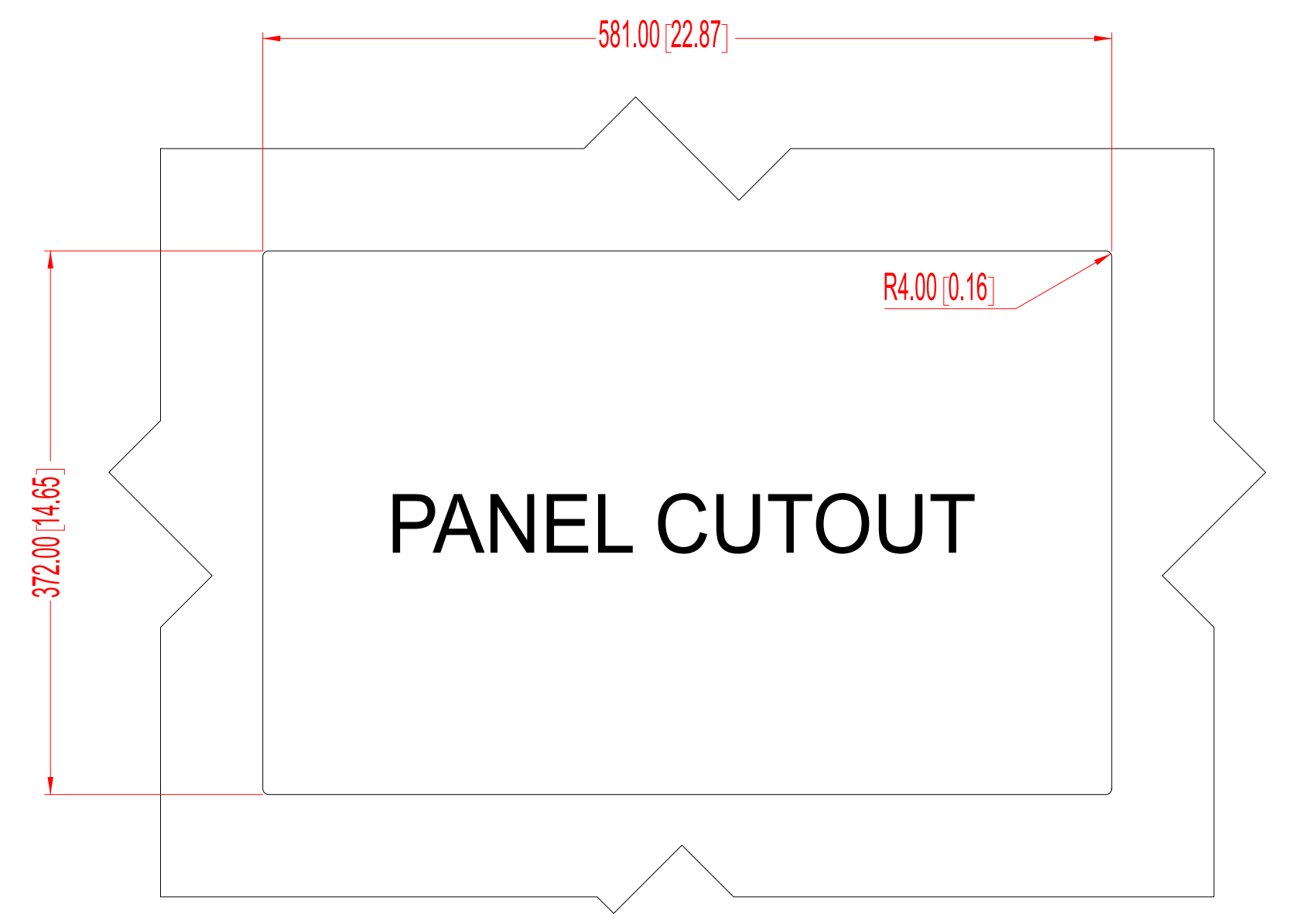
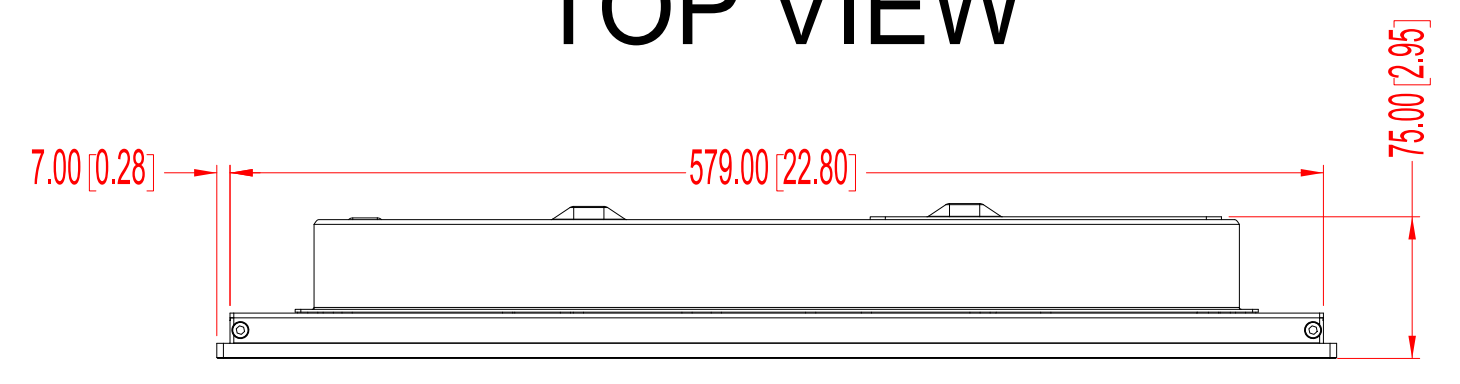
### BOTTOM VIEW



### ISOMETRIC VIEW



### TOP VIEW



Units: mm [inches]

**SALES DRAWING HD 24T22 MMC-M82-AAA02D**  
 shown in this drawing, but measurements generally apply for all HD 24T22 MxC-Mxx-xxxxxx models

Creation date / by:	/ /	Projection:	A1	<b>HATTELAND TECHNOLOGY</b> an EMBRON Company
Last rev. date / by:	/ /		Scale: 1:4	
Hatteland Technology AS Eikeskogvegen 52 N-5570 Akedal			Tolerance ISO 2768-mK	Approved by: Revision: Drawing number: <b>A010067</b>