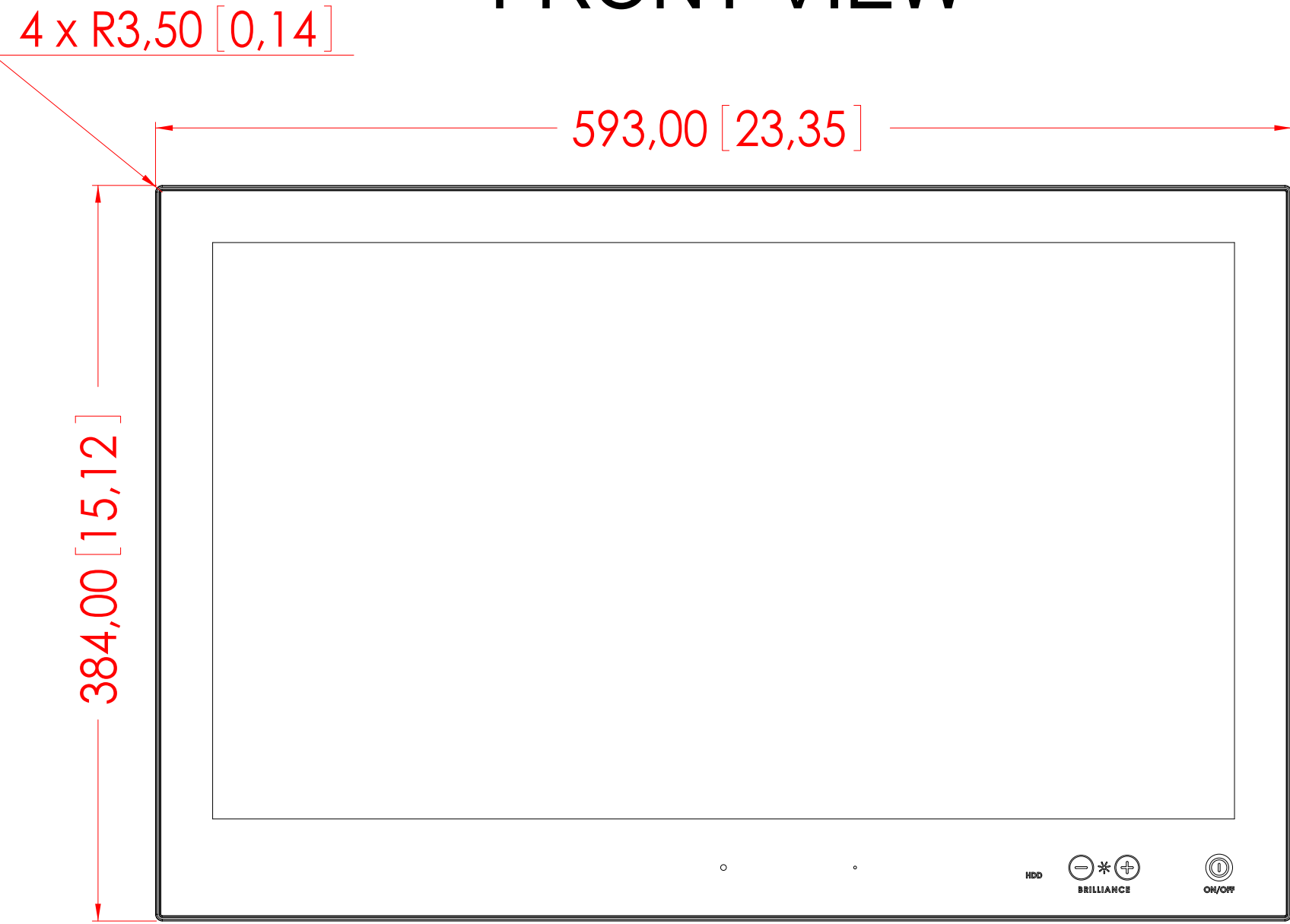


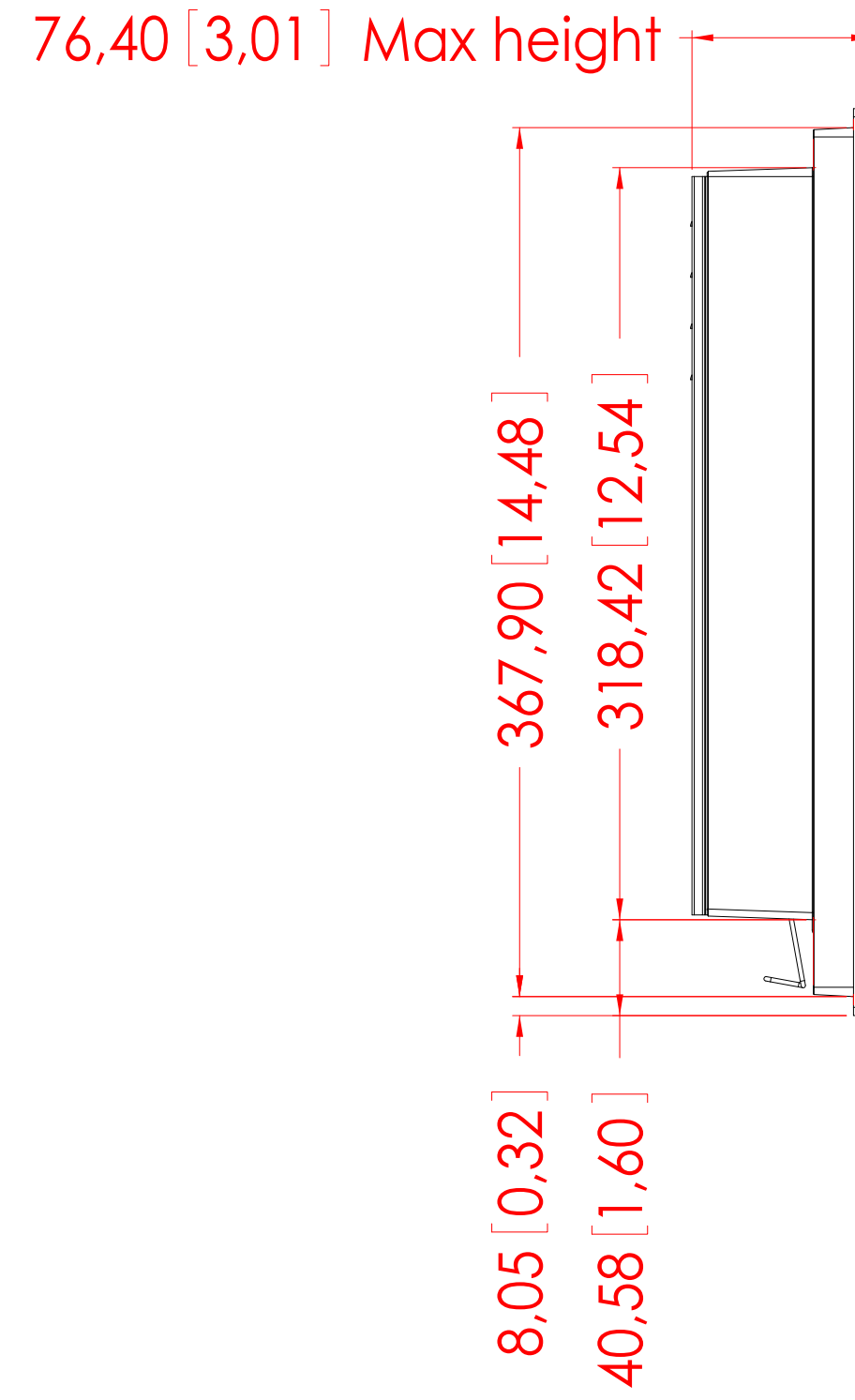
This document is the property of Hatteland Technology AS.
 This document and any authorized reproduction thereof, must not be used in
 any way against the interest of Hatteland Technology AS.
 Any authorized reproduction, in whole or in part, must include this legend.

HATTELAND DISPLAY STANDARD		Created by:	Date:	Modified by:	Date:	Revision:
Material type and Quality:		4751	23-08-2004	7251	14-03-2008	2
Aluminum 5052, standard EN 485-2 (1 & 2)						Surface treatment:
S-C7 Aluzinc, standard EN 10215 (1)						(1) TRIKATION (Zink/Mangan Phosphatieren)
Stainless Steel AISI 316 L, standard EN 4404						(2) Powder coating RAL 9011 EPOXY STRUCTUR Du Pont: EP0301-450327
Working specification:						Tolerance:
NS-EN-286-4						ISO 2768-1 middel
Sheet metal fasteners:						
PSM International or equivalent (www.psminternational.com)						

FRONT VIEW

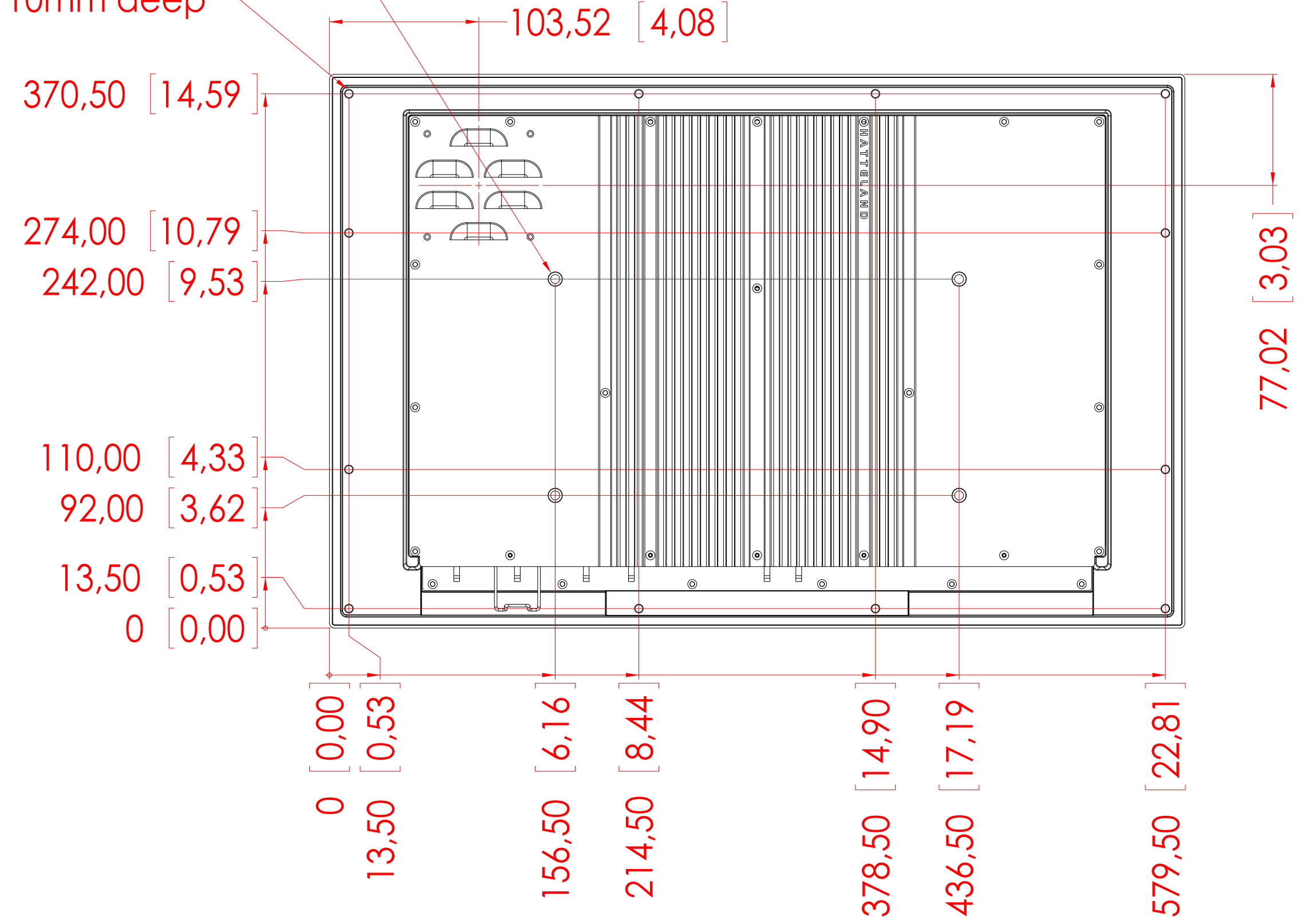


SIDE VIEW

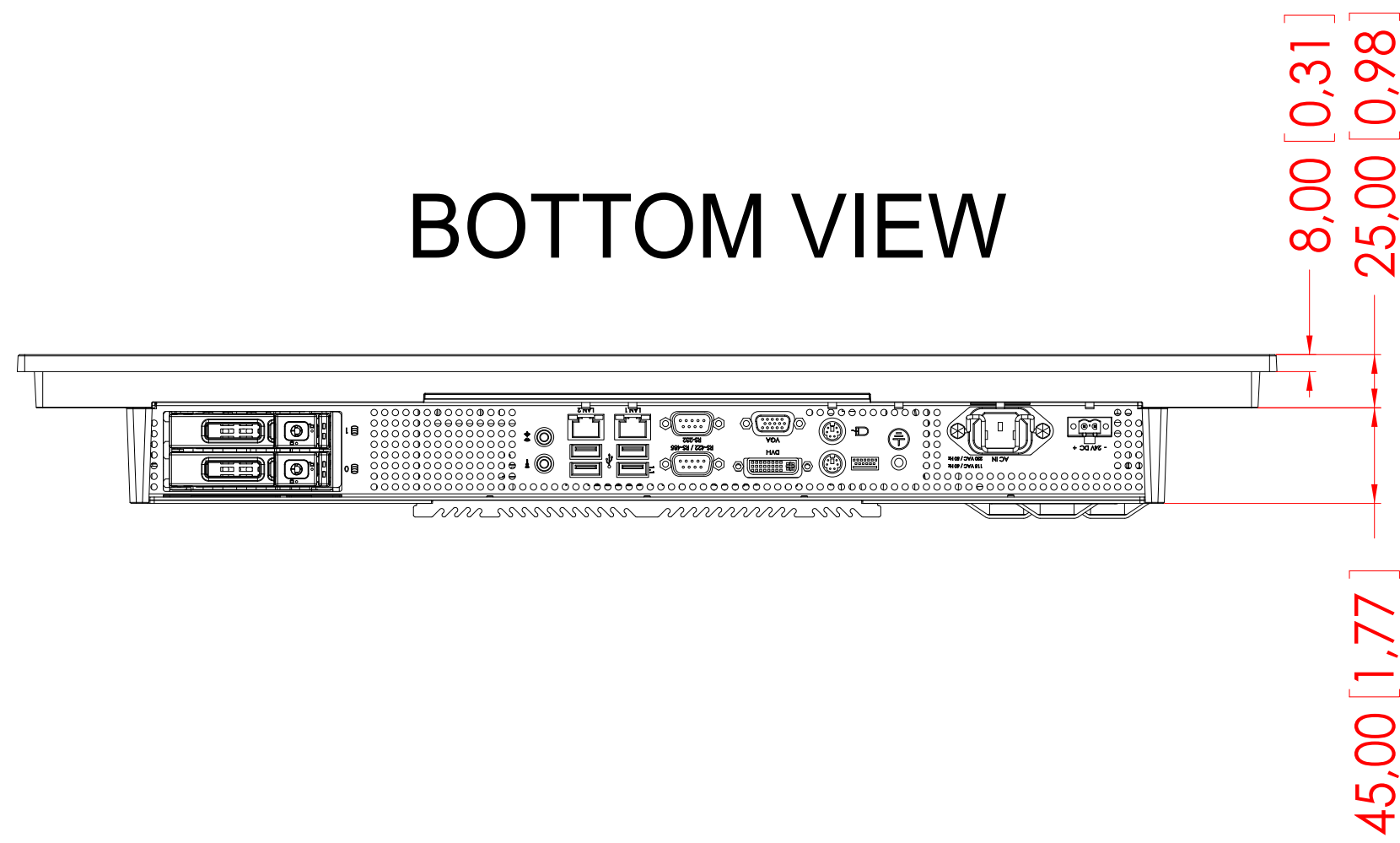


4 x M6 Vesa mounting
 max 12mm deep
 12 x M5 threads
 10mm deep

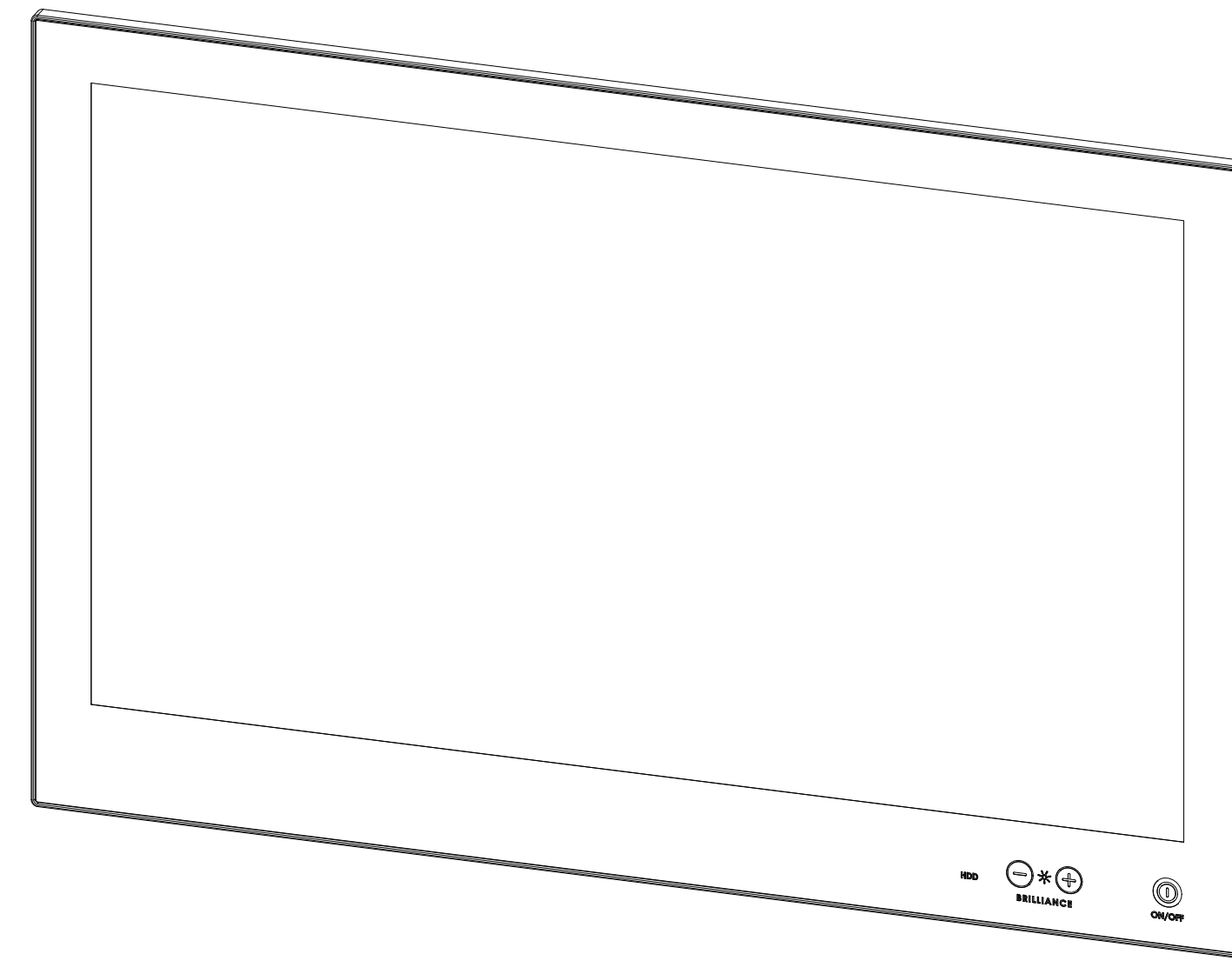
BACK VIEW



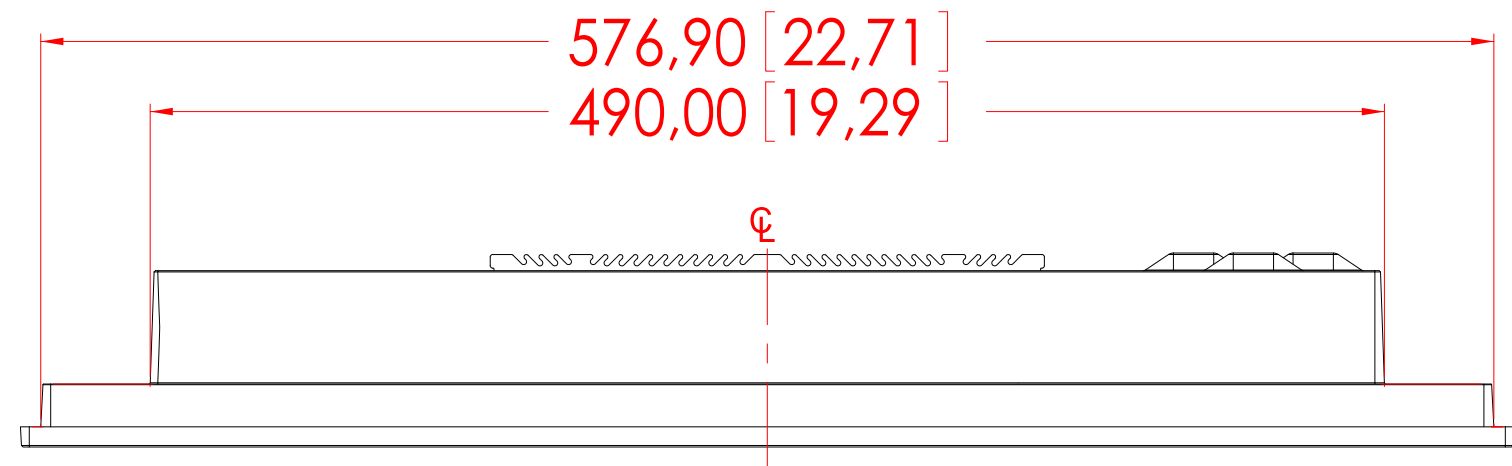
BOTTOM VIEW



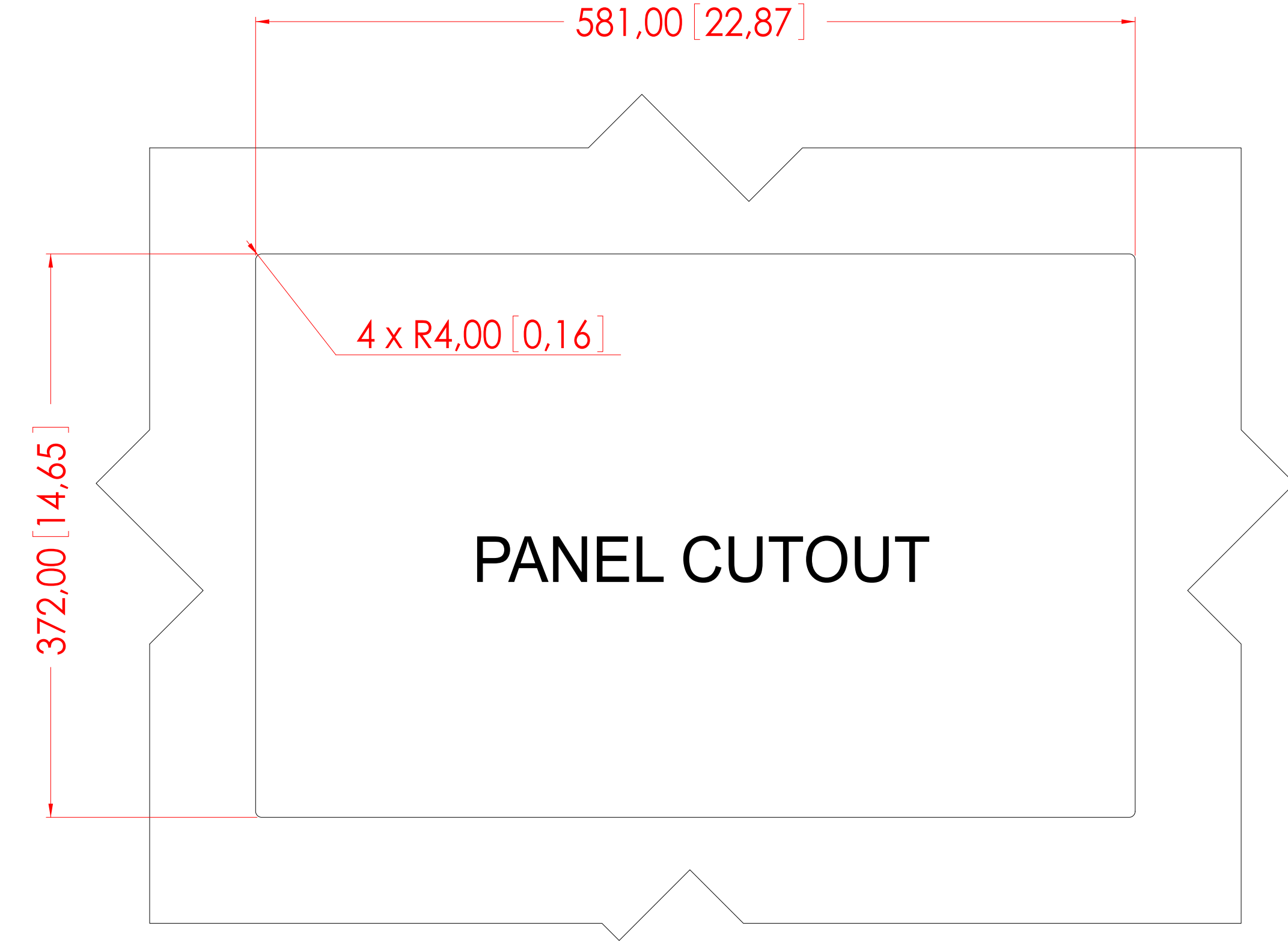
DIMETRIC VIEW



TOP VIEW



PANEL CUTOUT



Units: mm [inches]

SALES DRAWING HD 24T21 MMC-MJD-AABA
 shown in this drawing, but measurements generally apply for all HD 24T21 MxC-Mxx-xxxx models

Date:	Mechanical Design	Projection:	A1	HATTELAND TECHNOLOGY
07-11-2011	7251		Scale: 1:3	an EMBRON Company
Hatteland Technology AS		Colour code:	Approved by:	Revision: 1
Eikeskogvegen 52		Surface treatment:	Drawing number:	
N-5570 Akdsal			A002461-1	