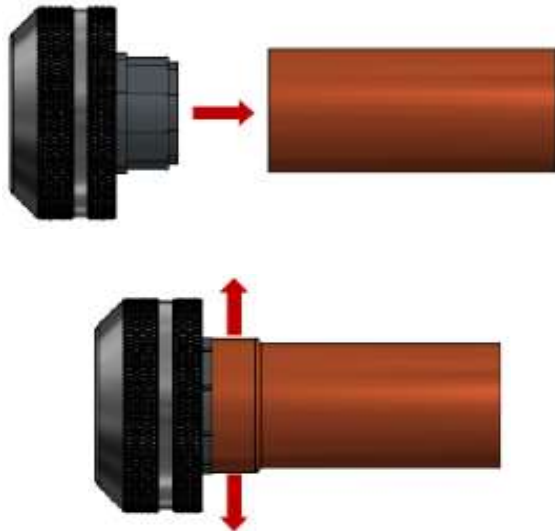


# SWAGEX

## PRODUCT

The Reftekk Swage Expander is a handheld tool designed to swage bendable quality copper tubing, quickly and easily creating brazing sockets with the proper dimensions and tolerances.



## SPECIAL FEATURES

**Eliminates Need for Copper Fittings:** When used with a proper bending tool, the Reftekk Swage Expander allows installers to create brazing sockets at the ends of any bendable quality copper tubing sections. This eliminates the need for elbows and couplings, lowering material costs.

**Reduces number of brazes by up to half:** The Reftekk Swage Expander, when used in conjunction with bendable quality copper tubing, allows each joint to be sealed with only a single braze rather than two brazes associated with conventionally brazed fittings. This reduces labor and the cost of brazing material while significantly reducing leak potential in the system.

**Proper Brazing Tolerance:** Creates brazing sockets with tight tolerances, resulting in better capillary action and fewer voids, ultimately reducing leak potential.

**Proper Brazing Socket Depth:** Only tool on the market designed to produce the correct swage depth for brazing (per ASME B16.50-2013), leading to a more complete braze with less leak potential.

**Swages ACR Type-L Copper Tube Sizes:** Head sizes come in 3/8", 1/2", 5/8", 3/4", 7/8", 1-1/8", 1-3/8", and 1-5/8".

**Mobile Military-Grade Tool Case:** Fits into a durable and waterproof tool case that includes all head sizes, a battery, and a battery charger, so you have everything you need in one place. A retractable handle and roller wheels allow for easy mobility.

## SPECIFICATIONS

**Use:** Brazing only. NOT FOR SOLDERING.

**Materials Approved for Swaging:** Soft (annealed, O60 or R220 Temper) or bendable quality (H55 or R250 Temper) copper tubing. Tubing dimensions must be Type-L.

**Socket Depths:** Conforms to ASME B16.50-2013 while also taking into account the wire diameter of Reftekk Brazing Rings.

**Kit Contents:** Handheld swage tool, military-grade tool case with wheels and retractable handle, Makita battery and charger, operation manual, and the following interchangeable head sizes: 3/8", 1/2", 5/8", 3/4", 7/8", 1-1/8", 1-3/8", and 1-5/8"

**Battery:** Makita 18V Lithium Ion battery, model number BL1830 (or new model).

**Battery Charger:** Makita model number DC18RC (or newer model). Input power: A.C. 110-120 V ~ 50-60 Hz.

## ⚠ CAUTION

- ▲ For use with brazing applications only. **DO NOT SOLDER.**
- ▲ Only use with soft (annealed, O60 or R220 temper) or bendable quality (H55 or R250 temper) copper tubing. **DO NOT USE with hard (H58 Temper) copper tubing.**
- ▲ Not intended for continuous use in a factory setting. **This will cause the tool to overheat.**
- ▲ Store at room temperature in dry location