

When Your World Is Flat Flexible, Modular Flatbed Management

When flatbed hauling is your business, you're operating in a world that's very different from other transportation companies. If you've been frustrated trying to make standard asset management solutions fit your flatbed fleet, you know the time has come for a solution tailored for your business, your way. Spireon has studied the flatbed industry, and through extensive research and feedback from some of the leading flatbed companies in the United States, now offers a unique solution with the flexibility to fit your business' unique requirements.

A DIFFERENT SOLUTION FOR A DIFFERENT KIND OF HAULING

Flatbed hauling is different from dry van hauling because of its vast difference in freight. While dry vans haul mostly palletized loads, flatbeds haul a wide range of diverse loads. Pipe, I-beams, machinery, steel coils – and loads that are often oversized or overweight – flatbed hauling requires special treatment and special expertise. Most GPS fleet management providers try to push a square peg into a round hole, forcing a tracker designed for dry vans to work for flatbeds. With the FL Flex, Spireon has designed a core, modular solution, customized to provide effective flatbed fleet management – no more, no less.

EXPERIENCE THE SPIREON ADVANTAGE

FleetLocate by Spireon answers more than just the question, "Where is my flatbed?" It creates rich, actionable data to help you:

- Receive alerts for gate in/gate out
- See time stamps for events
- Manage preventive maintenance
- ...and more!



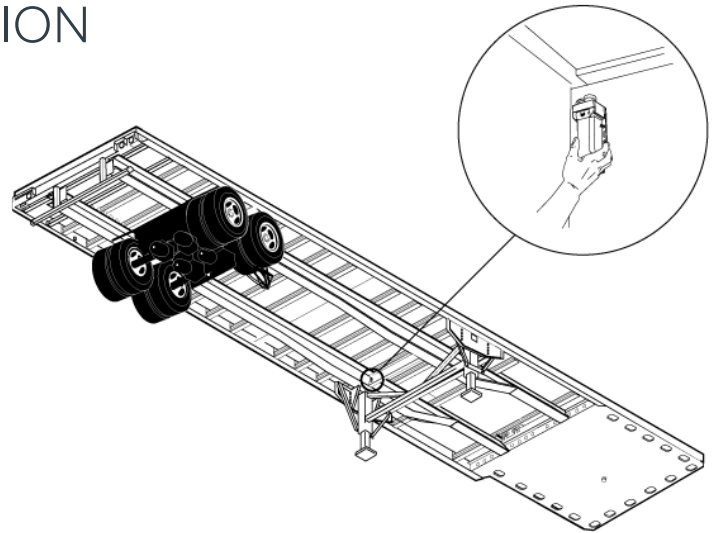


CONFIGURATION SPECIALIZATION

The primary components of Spireon's Flatbed Management Solution are simple:

- FL Flex
- Solar Panel(s)

The FleetLocate flatbed tracking solution enables fleets to ensure you have proper and efficient Preventive Maintenance by tracking mileage, as well as the peace of mind of knowing when a flatbed is taken without authorization via tamper alerts.



THE POWER OF FL FLEX AS YOUR FLATBED MANAGEMENT HUB

By itself, the FL Flex is a small but powerful GPS trailer tracking solution. But its modular design means fleets can leverage a full suite of add-on devices to create a fully customizable solution.

SMALL FOOTPRINT, COVERT INSTALLATION OPTIONS

The FL Flex has a tiny footprint and supports covert installation. When combined with the modular solar panels, the solution provides all the tracking power you need without attracting attention.

POWER MANAGEMENT VIA SOLAR

Extend the FL Flex's reporting life with state-of-the-art solar harvesting technology, or connect it via the 7-way. Regardless of which option works best for your chassis fleet, FL Flex supports it!

