

Unique Solution, Unique Industry

Flexible, Modular Chassis Management

If you've been frustrated trying to make standard asset management solutions fit your chassis fleet, you know the time has come for a solution tailored for your business, your way. Spireon has studied the chassis market, and through extensive research and feedback from some of the top chassis companies in the United States, now offers a unique solution with the flexibility to fit your business' unique requirements.

CHASSIS ARE DIFFERENT. THEIR SOLUTION SHOULD BE, TOO.

Chassis companies have a variety of requirements. Whether it's supporting different types and sizes, to providing powered versus unpowered GPS tracking, to accommodating your fleet's device installation preferences, Spireon's modular approach has what it takes to fit your use case. We start with the next-generation FL Flex GPS device, the modular hub from which you add custom components, such as solar panels, ATIS system integration, and more, to create exactly what you need - no more, no less.

EXPERIENCE THE SPIREON ADVANTAGE

FleetLocate by Spireon answers more than just the question, "Where is my chassis?" It creates rich, actionable data to help you:

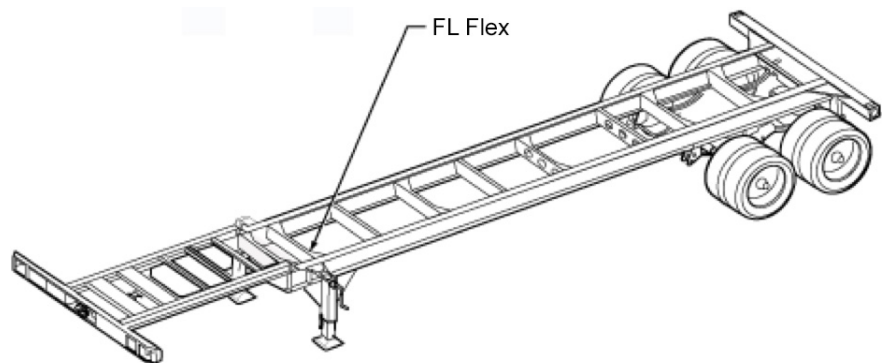
- Receive alerts for gate in/gate out
- See time stamps for events
- Assign custody and let your customers monitor leased chassis through FleetLocate
- ...and more!

CONFIGURATION SPECIALIZATION

The primary components of Spireon's Chassis Management Solution are simple:

- FL Flex
- Solar Panel(s)

The FleetLocate chassis tracking solution enables fleets to ensure you have proper and efficient Preventive Maintenance by tracking mileage, as well as the peace of mind of knowing when a chassis is taken without authorization via tamper alerts.



THE POWER OF FL FLEX AS YOUR CHASSIS MANAGEMENT HUB

By itself, the FL Flex is a small but powerful GPS trailer tracking solution. But its modular design means fleets can leverage a full suite of add-on devices to create a fully customizable solution.

SMALL FOOTPRINT, COVERT INSTALLATION OPTIONS

The FL Flex has a tiny footprint and supports covert installation. When combined with the modular solar panels, the solution provides all the tracking power you need without attracting attention.

POWER MANAGEMENT VIA SOLAR

Extend the FL Flex's reporting life with state-of-the-art solar harvesting technology, or connect it via the 7-way. Regardless of which option works best for your chassis fleet, FL Flex supports it!

