



# WESTMINSTER

## INTERNATIONAL LTD

Telephone : +44 (0)1295 756300

Fax : +44 (0)1295 756302

E-Mail : info@wi-ltd.com

Website : www.wi-ltd.com

## WG 400 Mine Clearance Vehicle

The WG 400 Mine Clearance Vehicle incorporates the latest technology in personnel protection and mine clearance, it can clear 2,400 square metres per hour (depending on terrain & operator experience). It has been designed to destroy & withstand 10kg Anti-Tank mines.



### Features

It has a hydraulically driven 3 metre Tiller Rotor with an effective tilling depth of 55cm.

It is fully remote controlled up to 800 metres allowing the Operator to remain at a safe distance while still maintaining 100% control of all the machine's functions, or alternatively with its fully armoured, sound proofed & air-conditioned cabin (which can withstand NATO Ball at point blank range), an Operator can maintain a detailed "bird's eye" view of demining operations in complete comfort & safety.

It has a Telescopic Boom to which different demining toolkits can be attached. This boom can be extended to clear mines and UXO in difficult locations such as on riverbanks and on inclines, while remaining completely stationary.



A variety of toolkits are available for demining and clearing UXO, as well as the tiller and flail, a Mine Comb or screener/segregator which can extract buried mines and UXO down to 50 cms.

When the Sifter is fitted to the rear of the machine, this extracts items & potentially missed ordnance down to 50 cms which provides a comprehensive quality assurance tool when fitted together with a front mounted tiller or flail.



As an option, a “scissor-lift” cab mounting can be fitted where shocks are absorbed & the ride height can be adjusted for the best possible view.

It will accommodate any standard construction tool such as Buckets, Dozer Blades, Forklift Tines or Power Grab using an industry standard quick hitch coupling.

The backhoe excavator can be fitted to the rear of the machines when a demining toolkit is fitted to the front. Alternatively, the backhoe can be fitted onto the boom arm which provides a very versatile and far reaching tool with a standard scrape bucket or a grapple attached for extracting UXO which are difficult to access. The boom arm will lift up to 4 tons, making it a very powerful workhorse for a wide range of levelling, loading, lifting and construction roles. This gives it a “second use ” after its clearance role.

<b>Service Capacities</b>		
Fuel Tank	Litres (UK Gal)	470 (100)
Hydraulic Tank	Litres (UK Gal)	800 (170)
Coolant	Litres (UK Gal)	21 (21.5)
Track Gearbox	Litres (UK Gal)	5 (1)
Splitter Box	Litres (UK Gal)	10 (2)

<b>Hydraulics - Operating @ 2,000 RPM</b>		
	Relief Valve Setting	Maximum Flow
Variable Displacement Pumps	350 bar	350 L/Min
Flail / Tiller	343 bar	140 L/min
Track per Track		
<i>Gear Pumps</i>		
Auxiliary	250 bar	60 L/min
Oil Cooler Fan	100 bar	30 L/min
Water Cooler Fan	100 bar	30 L/min

<b>Filtration</b>	
The hydraulic components are protected by the highest standard of filtration to ensure long hydraulic fluid & component performance.	
In Tank	90 micron Suction Paper
Main Return Line	25 micron Paper Elements
Drive Lines	10 micron Pressure Filter

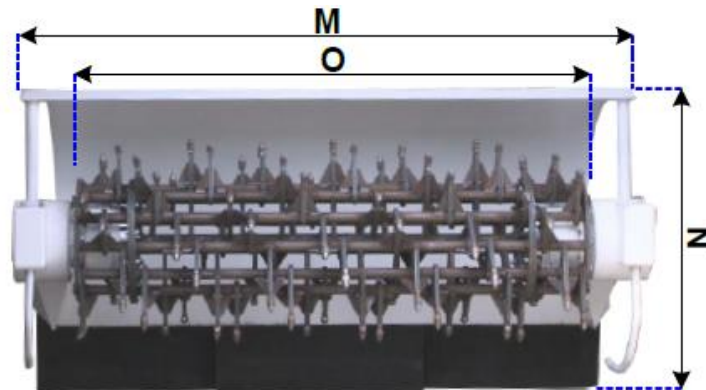
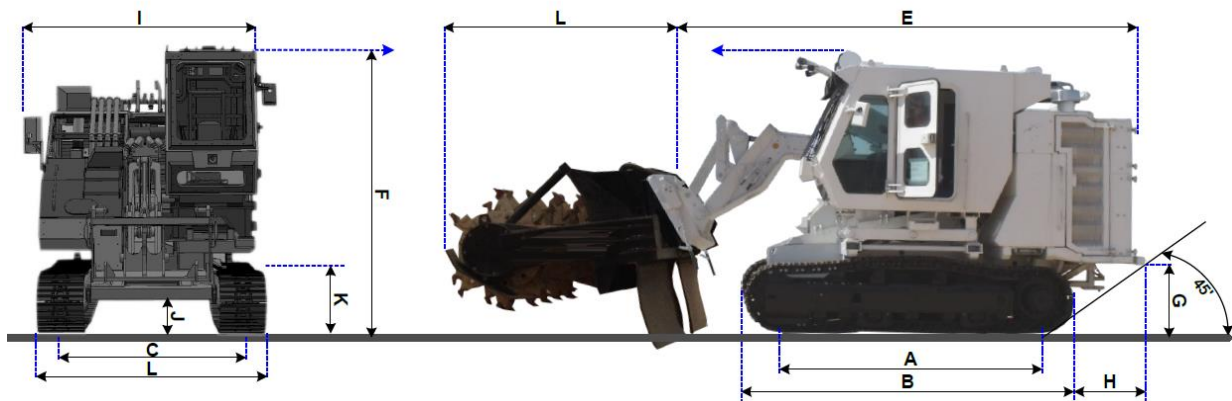
### **Hydraulic Cylinders**

Double acting type with bolt endcaps & hardened steel bearings.

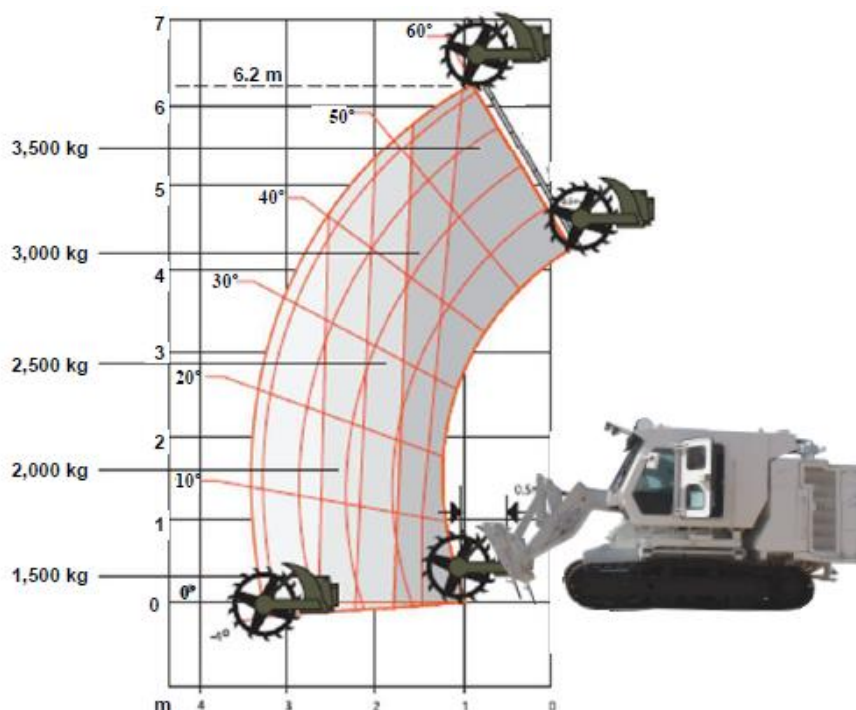
Hose burst check valves for boom & carriage rams.

Accumulators fitted to carriage for cushioning against mine blast pressure.

Static Dimensions	
A Track length on ground	3,090 mm
B Undercarriage overall length	3,940 mm
C Track gauge	1,990 mm
D Width over tracks (500 mm track shoes)	2,510 mm
E Transport length - overall length to front of carriage	5,550 mm
F Transport Height	3,395 mm
G Undercarriage height	1,000 mm
H Undercarriage to rear chassis	500 mm
I Width of superstructure	2,795 mm
J Ground clearance	470 mm
K Track height	880 mm
L Tiller length	2,487 mm
M Flail length	2,000 mm
N Tiller / Flail width	3,781 mm
O Tiller height	1,133 mm
P Flail height	2,100 mm
Q Tiller + Flail clearance path	2,905 mm



Lift Performance		
Max. lift capacity	Kg (lb)	3,600 (7,936)
Lift capacity to full height	Kg (lb)	3,600 (7,936)
Lift capacity at full reach	Kg (lb)	1,500 (3,307)
Lift height	Kg (lb)	6.2 (20-4)
Reach at max lift height	Kg (lb)	0.87 (2-10)
Max forward reach	Kg (lb)	3.30 (10-10)
Reach with 1 tonne load	Kg (lb)	3.30 (10-10)
Placing height	Kg (lb)	54.42 (17-10)



Weights	
Max Operating Weight	18,000 kg
Header Structure (without Tiller / Flail)	1,491 kg
Tiller (rotor only)	1,204 kg
Flail (rotor only – no chains)	486.6 kg

Engine	
Manufacturer	Deutz
Model	BF6M
Displacement	11,906 cm
No. Cylinders	6
Bore size	132 mm
Stroke	145 mm
Aspiration	Turbo intercooler
Power Rating @ 1900	300 kW
Torque rating @ 1300 rpm Nm lb ft)	425 (313.5) 532 (392.4)
Fuel consumption	35-45 L/ hour
Water cooled working temperature	55° ambient
Q Tiller + Flail clearance path	2,905 mm

**Electrics**

24 V negative earth. 145 AH battery. 55 Amp alternator. Full load lighting. Reversing light. Horn  
Reverse alarm optional. Remote controlled to 1,000 metres

**Brakes**

Service brakes: Hydraulic counterbalance valve to prevent over-speed on gradients  
Parking brake: Disk type, spring applied, and automatic hydraulic release.

**Steering**

One lever 4 position joystick control (hard-wired & remote control) forward / reverse / left / right  
Left & right position allows one track to turn in one direction & the other track in the opposite  
direction. This allows the machine to rotate on the spot.

**Delux Cab**

Quiet & comfortable cab constructed from 10 mm armoured steel & 37 mm Polycarbonate tinted  
glass, conforming to 7.6 NATO ball, ROPS ISO 3471 & FOPS ISO 3449. Front window bars  
Screen wash / wipe & heater / screen demister. Opening roof escape hatch. Audio-visual warn  
system for coolant temp, water in fuel, engine oil press air cleaner, battery, transmission oil temp  
& pressure warnings. Adjustable steering column as well as adjustable suspension seat.