



WESTMINSTER

INTERNATIONAL LTD

Telephone : +44 (0)1295 756300

Fax : +44 (0)1295 756302

E-Mail : info@wi-ltd.com

Website : www.wi-ltd.com

WG HD Advanced ANPR Camera



The WG HD Advanced Camera is used for targeted stop & go tolling, parking and access control systems. It features Power-over-Ethernet (POE) interface for minimising the installation and maintenance time. New generation full HD sensor for reading reflective and non-reflective plates.

KEY FEATURES

- Full HD sensor for reading reflective and non-reflective plates.
- B/W and colour version.
- Extra compact size to ease the installation.
- Weatherproof and vandal proof connectors.
- Working in standalone or integrated

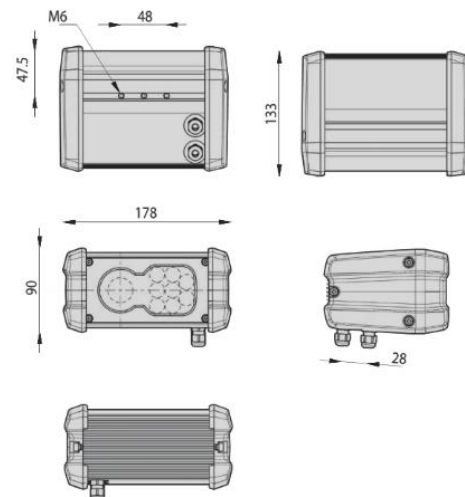
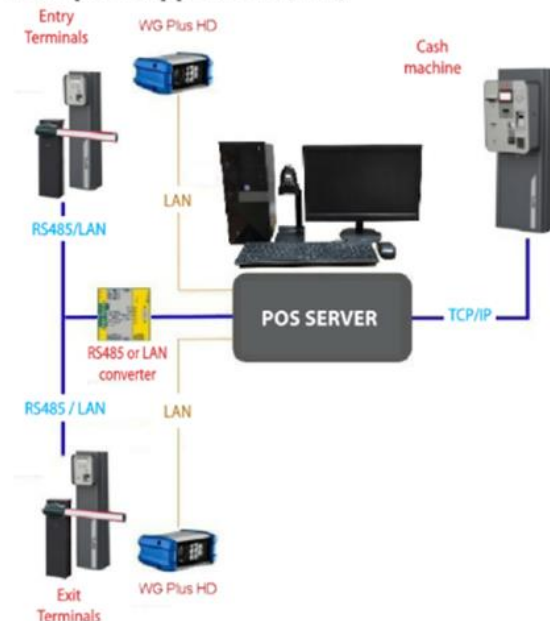
HOW IT WORKS

Stand-alone: the cam uses a white list that can be managed via web interface. The barrier is opened by the camera relay ones if the recognized plate number is in the white list.

Access Control: Web based software to implement access control system based on number plate reading. The white list and permissions are managed by the software, with the possibility to create temporary subscriptions. The access barrier is opened by the camera relay.

Management System: the cam is connected directly to a server. Centralising software manages the HD and communicates with the database and parking system software. Possibility to manage subscriptions and tickets with plate printing. Anti-theft mode by means of ticket and plate number association. Quick exit from parking without presenting the ticket on exit terminal.

Example of application (mm)



SPECIFICATION

Software features and performance	
Lane coverage	1
Correct detection	99% typical
Correct reading	>95%
OCR type	ANPR engine on board
Acquisition speed	60 fps
Image compression	JPEG
Configuration	
Web Server	Installation and configuration by Web Server on board
TCP/IP	Configuration and monitoring through TCP/IP protocol, (SDK included)
Date and Hour	Synchronization via NTP protocol, IEEE1588
Software Update	Upgrading via Web Interface and SDK
Data Transmission	
FTP	FTP Client to FTP server mode for remote data trans.; Multiple IP server addresses
TCP/IP	TCP/IP protocol; (SDK included)
Standard protocols	XML; SNMP; NTCIP; DATEX2; UTMC; MODBUS
Serial Port	Insulated RS485
Operating Mode	
Free Run	Continuous processing with automatic vehicle detection
Triggered	Image capture and processing triggered by Ethernet command or digital signal
System	
ANPR camera	2 MPX B/W 2 MPX Colour (Colour Version)
Illuminator	8 high power InfraRed LEDs @ 850 nm
Lenses	Different focal lengths available. CS-Mount.
Operating System	Linux Operating System
Digital I/O	2 Opto isolated inputs - 2 Relay Outputs -1 Strobe output
Connectors	Vandal proof Safe Connector (included)
IP Protection	IP67
Ethernet	GigaBit Ethernet 10/100/1000
Storage	MicroSD up 128 GB
WiFi	Yes (Easy install)
Technical Data's	
Operating and Storage Temperature	-40° to +55° C (-40° to +131° F)
Operating and Storage Humidity	10% to 90% noncondensing
Dimensions	178 x 90 x 133 mm (W x H x D)
Weight	1.5 kg
Power supply voltage	24 VDC, PoE
Power consumption	13 W

ANPR solution for stop & go tolling and parking and access control systems, with full HD sensor for reading reflective and non reflective plates; weatherproof and vandal proof connectors; 1 lane coverage; correct detection 99%; correct reading >95%; ANPR camera 2 MPX B/W or 2 MPX Colour (colour Version); 8 high power LEDs; Web Server on board; Linux Operating System; TCP/IP; RS485; WiFi (Easy install); Digital I/O: 2 Opto isolated Inputs, 2 Relay Outputs, 1 Strobe output; Op. mode: Free Run, Triggered.

Power supply voltage: 24 VDC, PoE. Power consumption: 13 W. Operating & storage temperature: from -40° to +55° C (-40° to +131° F). Operating & storage humidity: 10% to 90% non-condensing. Dimensions: 178 x 90 x 133 mm (W x H x D).