



WESTMINSTER

INTERNATIONAL LTD

Telephone : +44 (0)1295 756300

Fax : +44 (0)1295 756302

E-Mail : info@wi-ltd.com

Website : www.wi-ltd.com

WG Baggage Conveyor with Scales

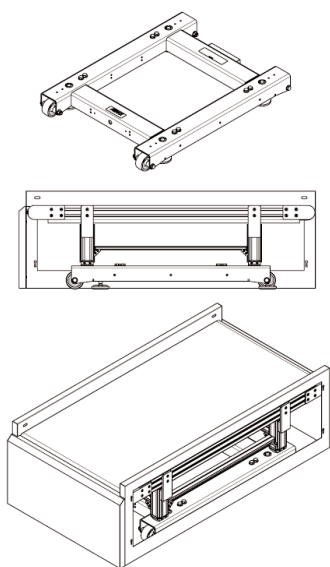


The WG Baggage Conveyor with Scales has integrated scale for weighing the baggage

- Its compact design is ideal for installation both in short and long conveyor lines.
- The conveyor complies with airport standards for personal protection and fire security.
- The drive has a diameter of 63 mm and is integrated into the shaft.
- The conveyor complies with airport standards for personal protection and fire security.
- The conveyor drive has a diameter of 63 mm and is integrated into the shaft.
- Integrated scale and two optical presence sensors.
- Maximum carrying weight of 50 kg
- The weight of the baggage is recorded.

STANDARD FEATURES

- Built-in scale module
- No visible screws
- Optical sensors



SPECIFICATION

- Conveyor length - 1,300 mm
- Conveyor width - 725 mm
- Drive - Drum drive Ø63 mm
- Max. transport weight - 50 kg
- Speed - 0.37 m/s
- Usable conveyor width - 658 mm
- Vertical height - 370 mm above the ground

