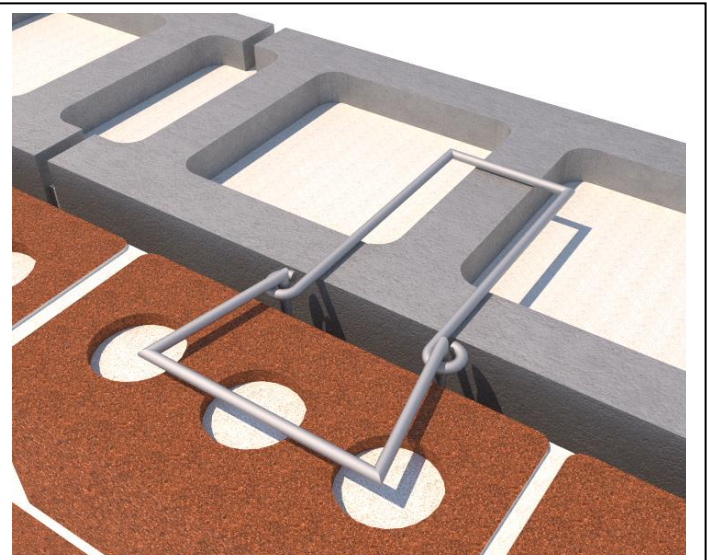
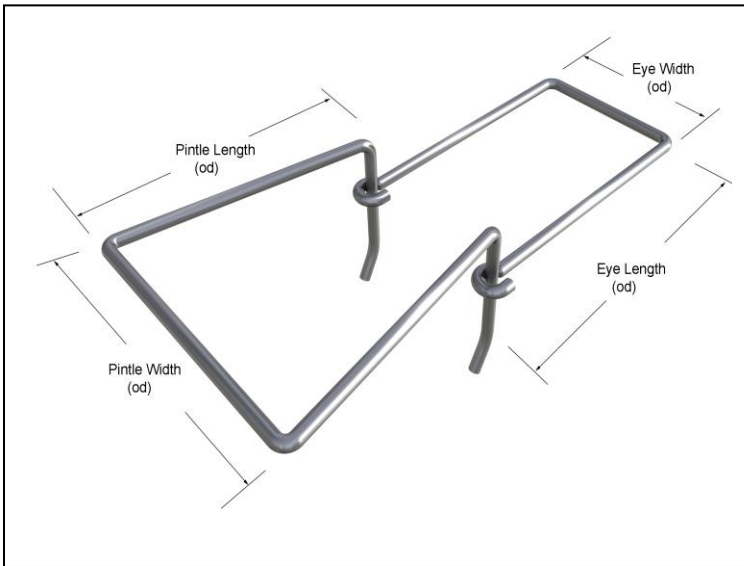


Used for tying two masonry walls that require an adjustable anchoring system. #262 eye rod anchor is embedded in a CMU backup wall. The #263 pintle is placed in the veneer joint. 62 eye rod anchor is embedded in a CMU backup wall. The 263 pintle is placed in the veneer joint.



Standards:

#262 Double Eye Rod Anchor

Thickness: 3/16"

Length: 2 3/4" 4 3/4"

Width: 2 1/4"

#263 Double Pintle Tie

Thickness: 3/16"

Length: 3 1/4" 4 1/4" 5 1/4"

Width: 2"

Finish: Hot Dip Galvanized Mill Galvanized

Quantity (pairs): _____

Material Specifications

Hotdip Galvanized: ASTM A 153 Class B-2:
(1.50 oz/ ft²)(0.46kg/m²)

Mill Galvanized: Sheet metal anchors and
ties: ASTM A 653 G60

Wire: ASTM A 641 (0.1 oz/ ft².)

Plain Carbon Steel: ASTM A1008/A1008M
Structural Steel ASTM A36/A36M-08

Wire: ASTM A 82/A82M Tensile Strengths
80,000 psi Yield Point 70,000 psi