

*Met.*

**DOCKS**  
DATA SHEET

# Met.

# DOCKS-S

## Applications

Garden Lighting

General Lighting

Walk Way Lighting

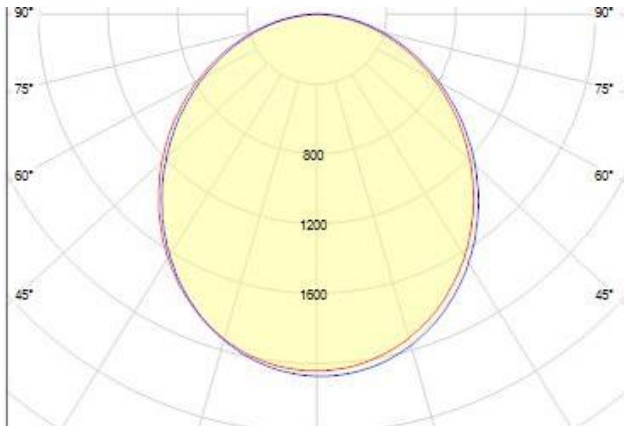
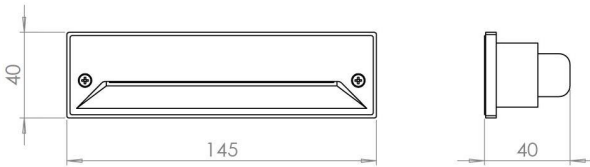
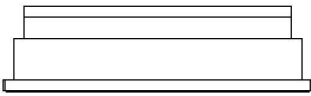
Step Lighting



Model Number:	W2016---4-E---L---80IT--E
Light Source:	LED
Luminaire total power (W):	6W
Lamp luminous flux*:	720 lm
Luminaire luminous flux*:	576 lm
Luminaire efficacy*:	96 lm/W
Power Factor:	> 0.96
Beam Angle:	Symmetrical
Luminaire case temperature @ 25° C ambient temperature:	<40°
UGR Based on Illumination system design:	<30
Rated useful life*:	30000 hour based on LM-80 – TM-21 @ 85°
Correlated colour temperature*:	4000 Kelvin
Colour Rendering Index min:	Ra > 80
Chromaticity tolerance (initial McAdam)*:	5
Body Construction:	Polymer Concrete
Finish:	Painted
Lens Cover:	Polycarbonate
Built-in driver protection:	-
Flicker Free control system (No Stroboscopic effect):	Optional
Additional surge protection:	Optional
Environmental ambient temperature:	5°C to 30°C
Rated supply voltage:	230V – 240V
Mains frequency:	50Hz-60Hz

# Met.

## DOCKS-S



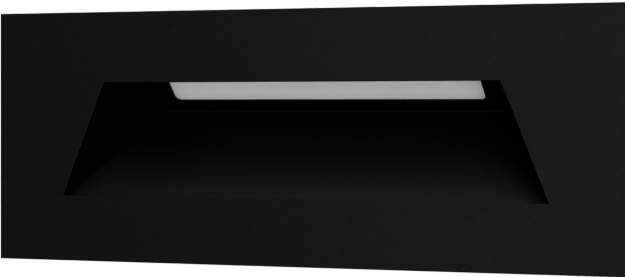
Mounting type:	Recessed
Adjustable Tilt:	No
Electrical Connection type:	Cable Leads
Mechanical impact protection:	IK 02
Degree of protection:	IP 54
Class of protection:	Class 2
Body Colour:	Matte Black
Cut-out:	135 x 35 x 36
Dimensions:	145 x 40 x 40
Weight :	+/- 0.9 Kg
Dimming:	-
Emergency Backup:	Optional
Quality management traceability:	Serialization, Track and Trace
Spares availability post purchase :	5 years
Serviceable for repairs and maintenance:	-
Upgradable:	No
Approximate product life base on 12hour usage:	5 Years
Warranty :	Limited Three-year/30000-hour Warranty
Performance Warranty :	No
Country of origin :	South Africa

# Met.

# DOCKS-S+

## APPLICATIONS

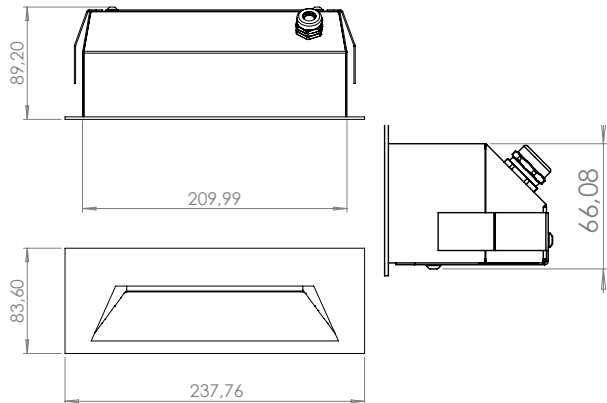
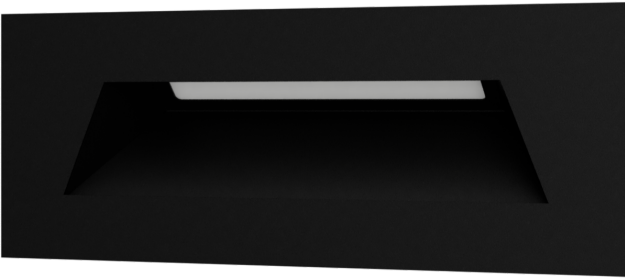
Walk Way Lighting  
General Lighting



Model Number:	W2006--4-T---L----80TR--E
Light Source:	LED
Luminaire total power (W):	6W
Lamp luminous flux*:	910 lm
Luminaire luminous flux*:	728 lm
Luminaire efficacy*:	121 lm/W
Power Factor:	> 0.96
Beam Angle:	Asymmetric
Luminaire case temperature @ 25° C ambient temperature:	< 40°
UGR Based on Illumination system design:	< 30
Rated useful life*:	50000 hour based on LM-80 - TM-21 @ 85°
Correlated colour temperature*:	3000 Kelvin
Colour Rendering Index min:	Ra > 80
Chromaticity tolerance (initial MacAdam)*:	5
Body Construction:	Stainless Steel
Finish:	Powder Coated
Lens Cover:	Polycarbonate
Built-in driver protection:	Voltage fluctuation, overheating, short circuit, overloads, voltage spikes up to 3.5kV
Flicker Free control system (No Stroboscopic effect):	Optional
Additional surge protection:	Optional
Environmental ambient temperature:	-5° C to +35° C
Rated supply voltage:	220-240 V
Mains frequency:	50 / 60 Hz

# Met.

# DOCKS-S+



<b>Mounting type:</b>	Recessed
<b>Adjustable mounting:</b>	No
<b>Electrical Connection type:</b>	.3m cable with leads
<b>Mechanical impact protection:</b>	IK 06
<b>Degree of protection:</b>	IP 54
<b>Class of protection:</b>	Class I
<b>Additional safety and performance protection:</b>	No
<b>Body Colour:</b>	Etch Black
<b>Dimensions:</b>	238mm X 84mm X 90mm
<b>Weight :</b>	+/- .5kg
<b>Dimming:</b>	Optional
<b>Emergency Backup:</b>	Optional
<b>Quality management traceability:</b>	Serialisation, Track and Trace
<b>Spares availability post purchase :</b>	5 years
<b>Serviceable for repairs and maintenance:</b>	Yes up to component level
<b>Upgradable:</b>	No
<b>Approximate product life base on 12hour usage:</b>	5 years
<b>Warranty :</b>	Limited Three-year/50000-hour Warranty (degradation based on LM-80 - TM-21 @ 85°)
<b>Performance Warranty :</b>	No
<b>Country of origin :</b>	South Africa