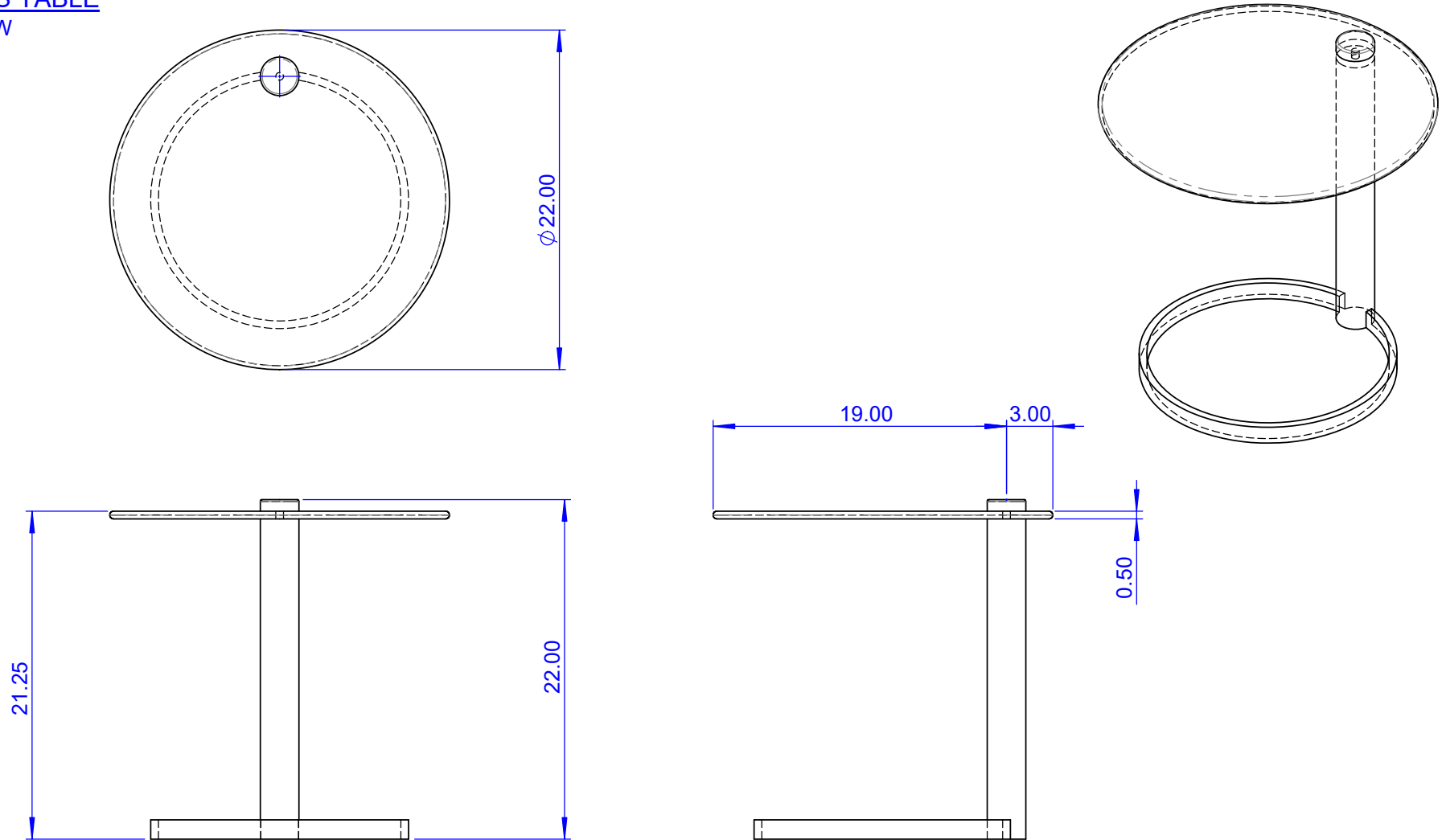


RAFFLES TABLE
PLAN VIEW



MODEL#: 123

TOP OPTIONS: 1/2" THK- TEMPERED, CLEAR OR FROSTED GLASS
BASE FINISH OPTIONS: CHROME, GLOSS BLACK OR MATTE BLACK

nienkämper 257 Finchdene Square, Scarborough, Ontario, Canada, M1X 1B9 Tel 416 298 5700 Fax 416 298 9535 www.nienkammer.com design@nienkammer.com	OC-Project: RAFFLES TABLE	Title: MODEL 123			Drawing No. 1 OF 1	Date: APRIL 10, 2024	Issue Drawing To:
	THIS DRAWING IS CONFIDENTIAL AND PROPRIETARY. NO PART OF THIS DRAWING MAY BE COPIED, DISCLOSED TO ANY THIRD PARTY OR USED FOR ANY PURPOSE WITHOUT THE EXPRESS WRITTEN AUTHORIZATION OF NIENKAMPER FURNITURE & ACCESSORIES	Drawn: DESIGN DEPT.	Scale: N.T.S	Dwg For: CLIENT	Rev Date: APRIL 4, 2024/ JV	Revision No.	CS CUST. SERV.
		PART#: X.X	CS. Rep: X.X	Rev Details: -	R-0		