

# Vox®

## TOWER BASE

Tel 800 668 9318  
Tel 416 298 5700  
Fax 416 298 9535  
mail@nienkamper.com  
www.nienkamper.com



Tower™ Base

## CONFERENCE TABLE AND VOX FORUM INSTALLATION GUIDE

### HARDWARE PARTS LIST

---



#### ALLAN KEYS

Small 4 mm  
For hex socket assembly, to join rails together.  
For installing bases to rails.  
For installing mounting plate to top.  
Large 5 mm  
For hex socket assembly, to join rail together.



#### FLAT HEAD HEX SOCKET ASSEMBLY

4 mm and 5 mm - 2" x 1/4" - 20 and threaded collar.  
Joins rails together.



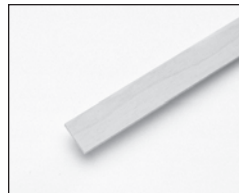
#### FLAT HEAD HEX SOCKET BOLT

4 mm - 1" x 1/4" - 20.  
Joins mounting plate to top.  
Joins bases to top for tables up to 108".



#### TIGHT JOINT FASTENERS

3 piece assembly plus 1 tightening rod.



#### WOODEN SPLINE

1/8" x 7/8" x (24" - varies).  
Inserts into the edge of multiple segment tops.



#### MOUNTING PLATE

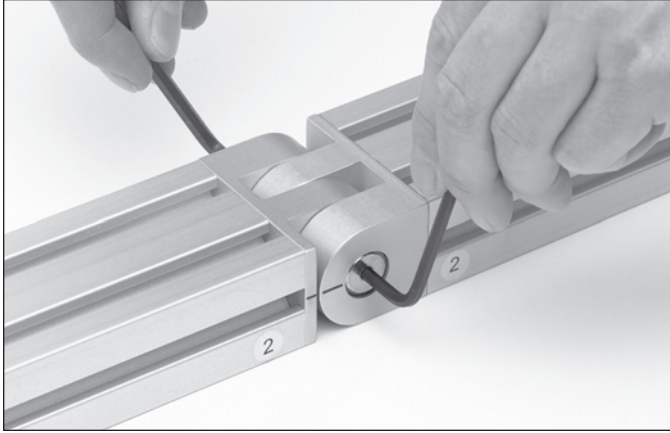
1/4" x 3" x 4".  
Fixes rail to top.



#### WIRE MANAGEMENT "U" CLIPS

Grey ABS plastic.  
Used to secure wires to support rail.

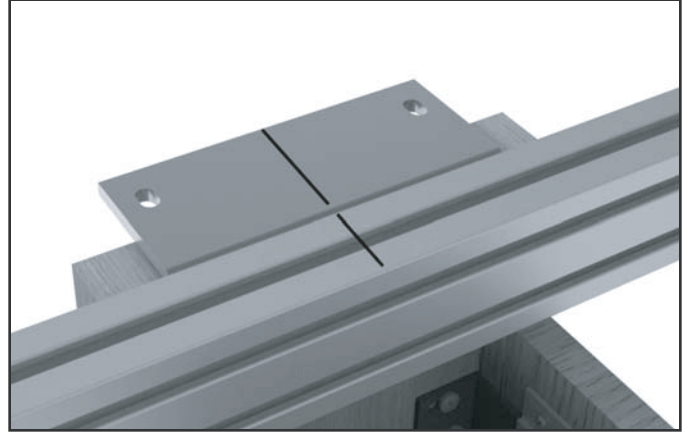
## ASSEMBLING SUPPORT RAILS



1

- Large conference tables incorporate support rails in multiple segments.
- Position and assemble connecting joints as shown.
- Matching joints are number coded (circular labels).
- Required hardware: 2" x 1/4" - 20 flat head hex socket assembly.
- Tighten joint, aligning marks as shown.
- Certain table shapes require rails to be assembled at different angles (as marked).

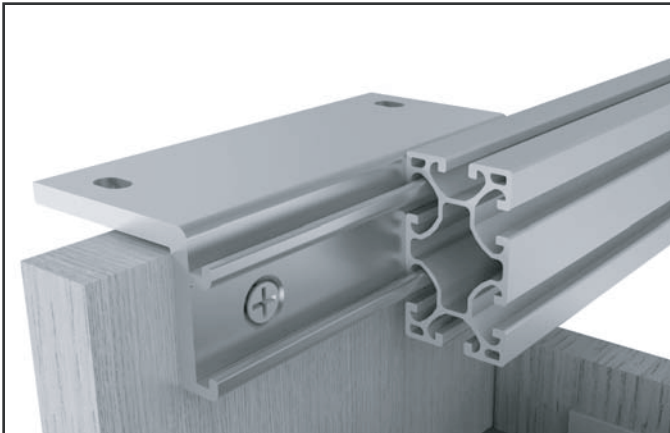
## ATTACHING BASE TO RAILS



2

- Align the marks on top of the rail with the lines on top of the access base bracket

## ATTACHING BASE DIRECTLY TO TOP



3

- Support rails clip into base

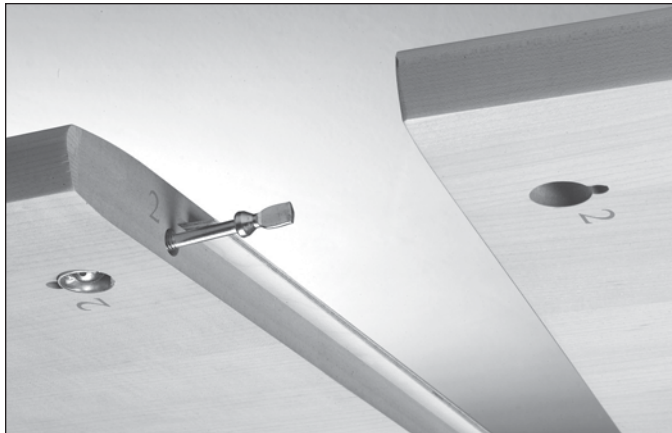
## FINISHED BASE ASSEMBLY



4

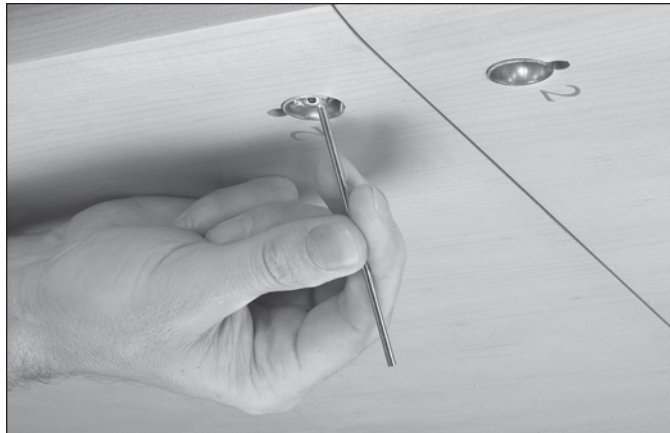
- Resulting construction should appear as shown.

## JOINING MULTIPLE PIECE TOPS



5

- Position multiple section tops with matching identification numbers onto rails.
- Insert wooden spline into the groove at the seam.
- Insert ball fitting, align with tight joint bolt.
- Start the thread.



6

- Slide tops together, align the top.
- Insert tight joint collar.
- Tighten ball fitting, hand tight.

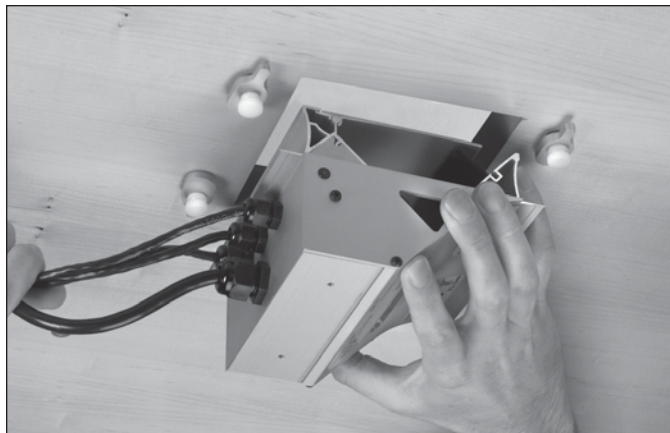
## ATTACHING BASE TO TOP



7

- Align threaded inserts in the top with the mounting plate on the base.
- Install 1/4-20 x 7/8" Flat head- hex socket bolt. 4 per base are required

## INSTALLING VOX FORUMS®



8

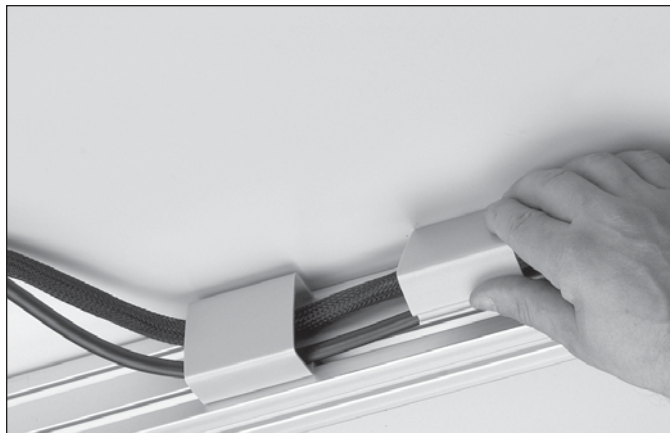
- Unpack the Forum box and retrieve the swivel latches.
- Carefully thread plastic thumbscrews into inserts around the square hole in the top.
- Position Forum in opening and carefully ease up into the square hole.
- Rotate the swivel catches and tighten the thumb screw fasteners.

Note: detailed installation instructions are included with all Vox Forums.



9

10



- Begin by mounting adhesive wire management strip behind Forum position, or where required.
- Insert cables in 1 of 3 channels.

- Using wire management "U" clips, store and route cables to bases along the rail.