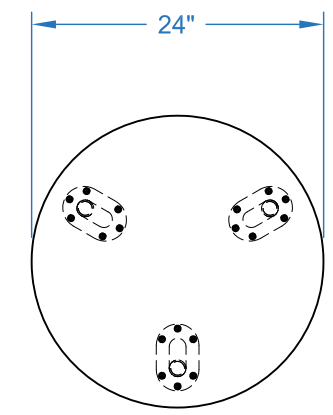
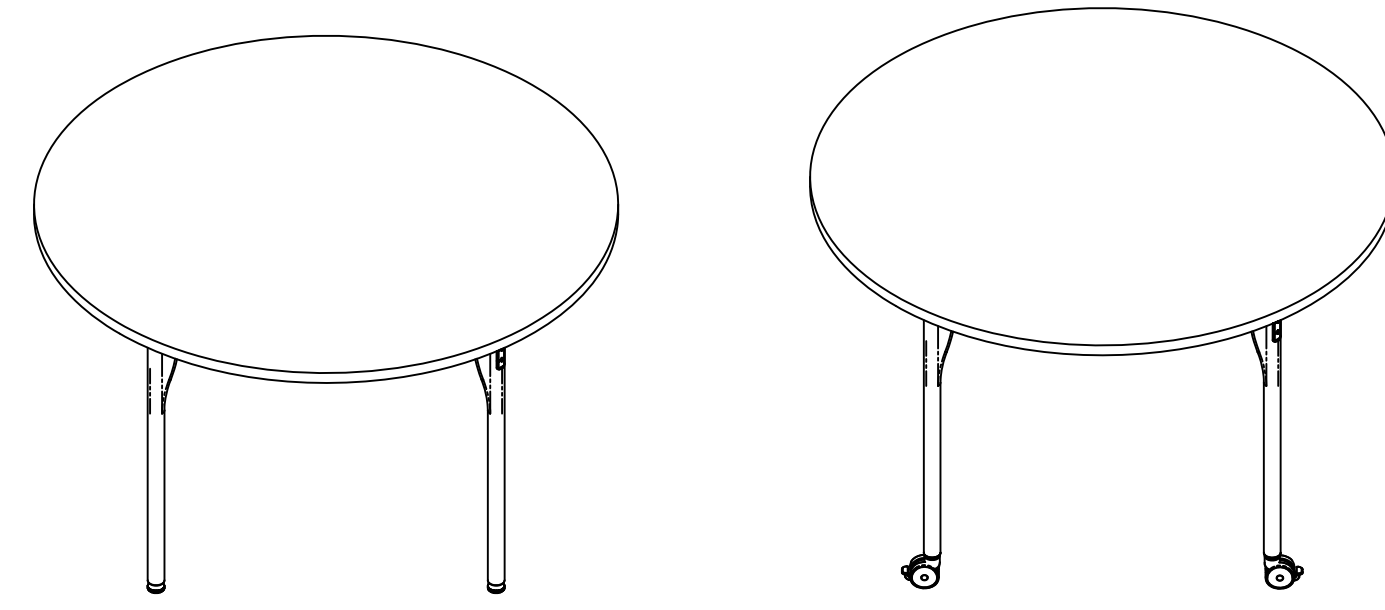
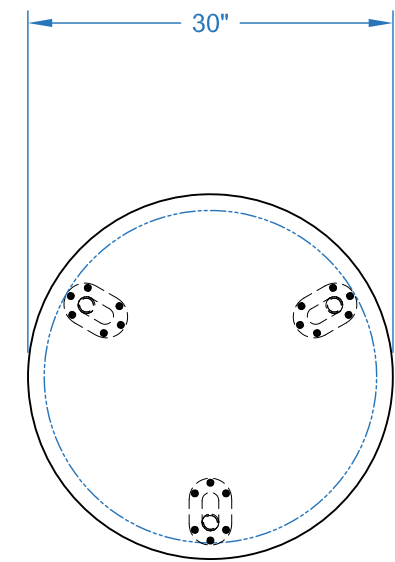


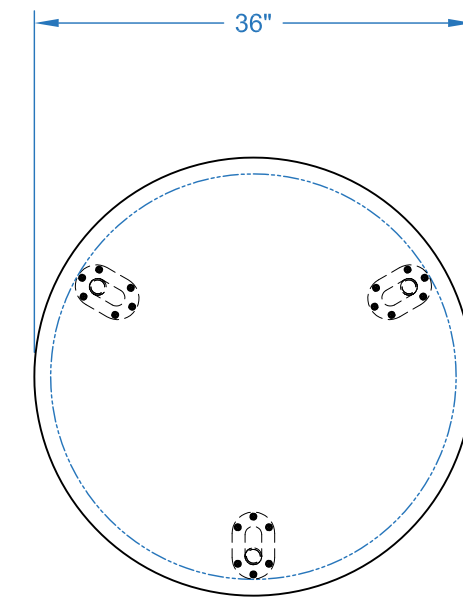
PLAN VIEW



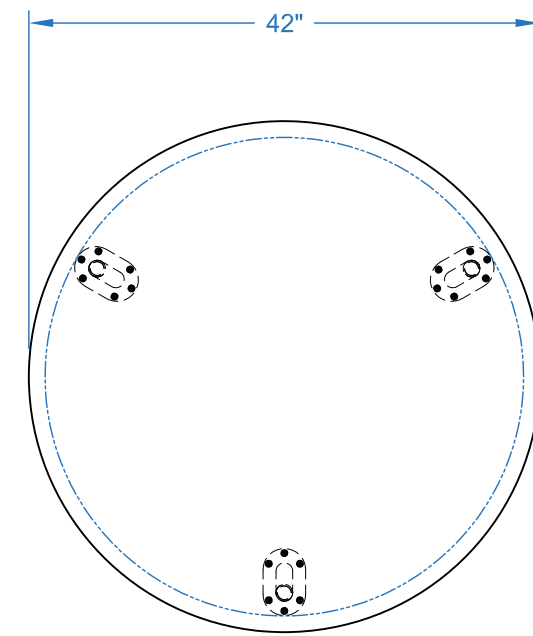
24"DIA
MDL# 58365 LEVELERS
MDL# 58372 CASTERS
MDL# 58379 LEVELERS- WOOD
MDL# 58386 CASTERS- WOOD



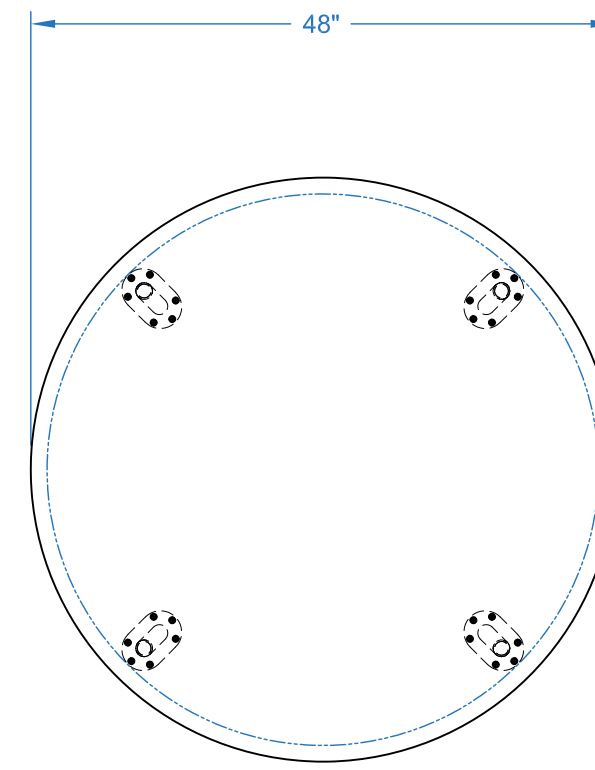
30"DIA
MDL# 58366 LEVELERS
MDL# 58373 CASTERS
MDL# 58380 LEVELERS- WOOD
MDL# 58387 CASTERS- WOOD



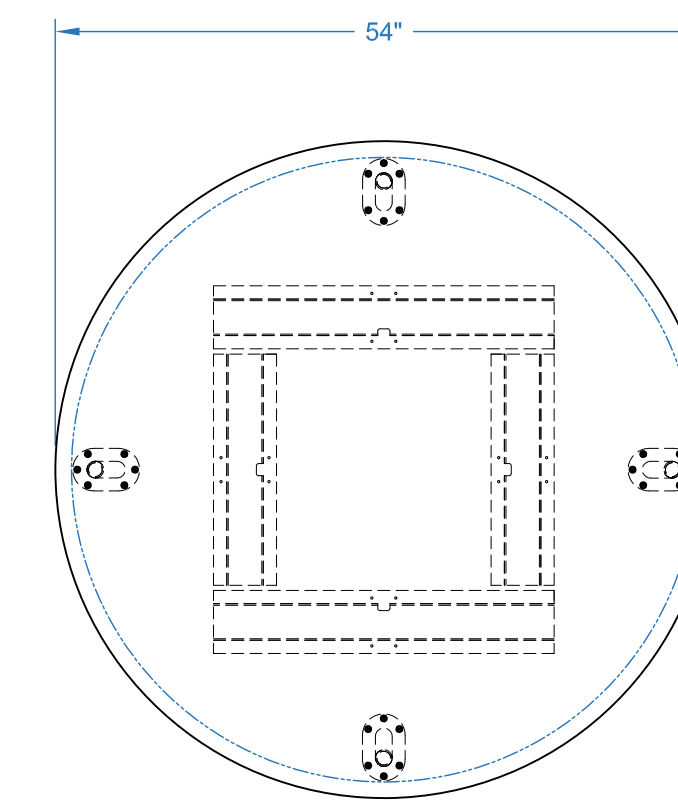
36"DIA
MDL# 58367 LEVELERS
MDL# 58374 CASTERS
MDL# 58381 LEVELERS- WOOD
MDL# 58388 CASTERS- WOOD



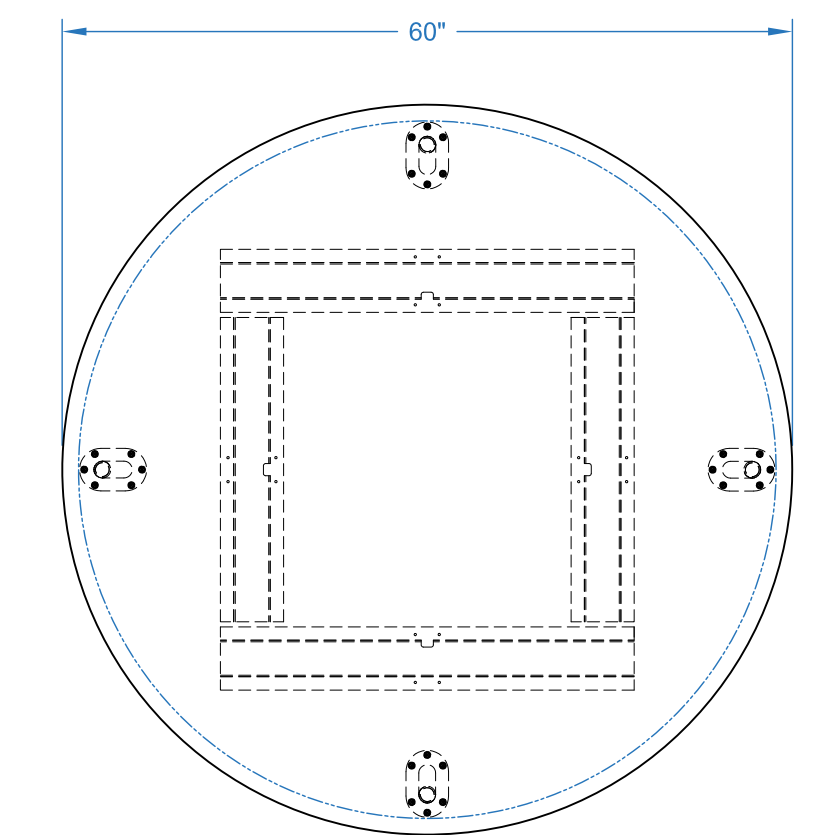
42"DIA
MDL# 58368 LEVELERS
MDL# 58375 CASTERS
MDL# 58382 LEVELERS- WOOD
MDL# 58389 CASTERS- WOOD



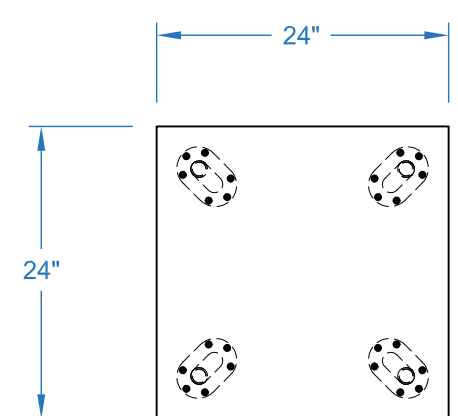
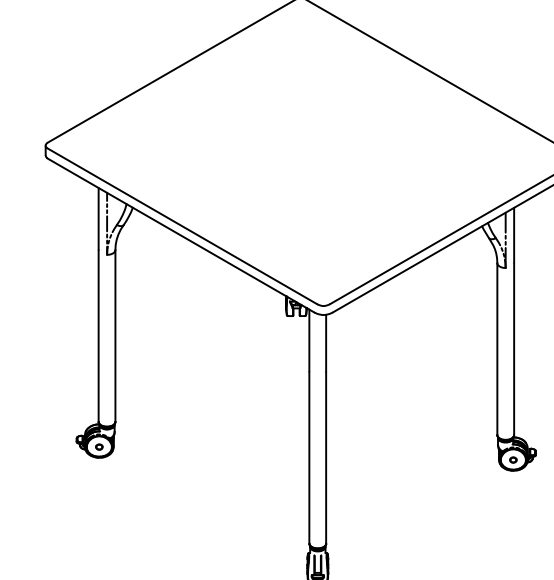
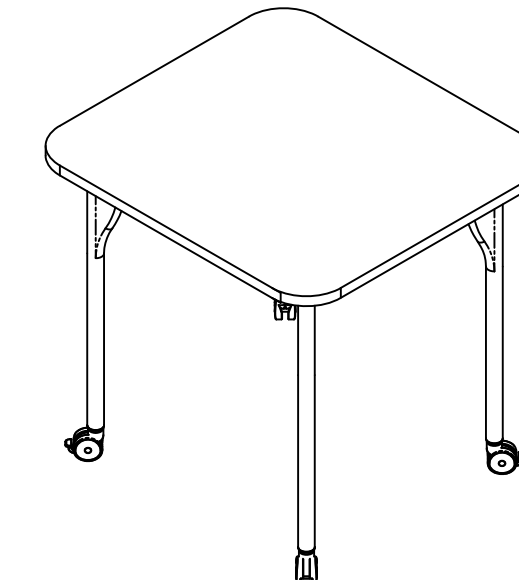
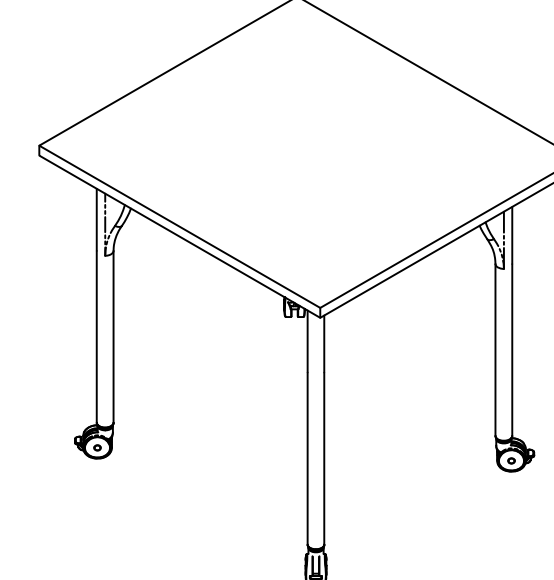
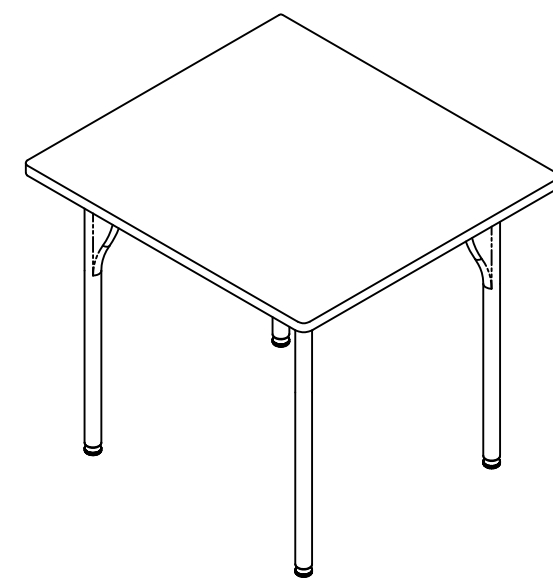
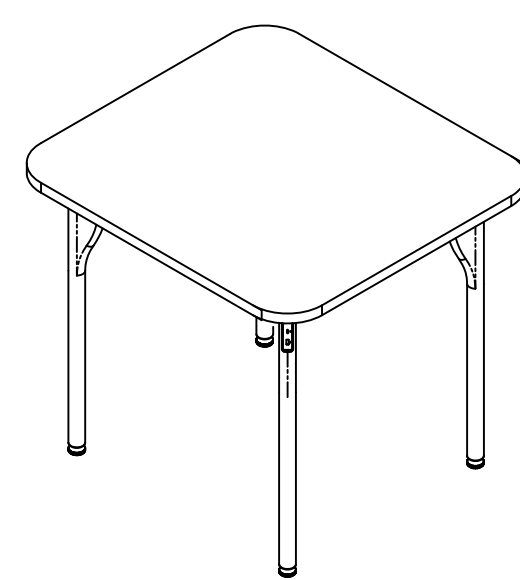
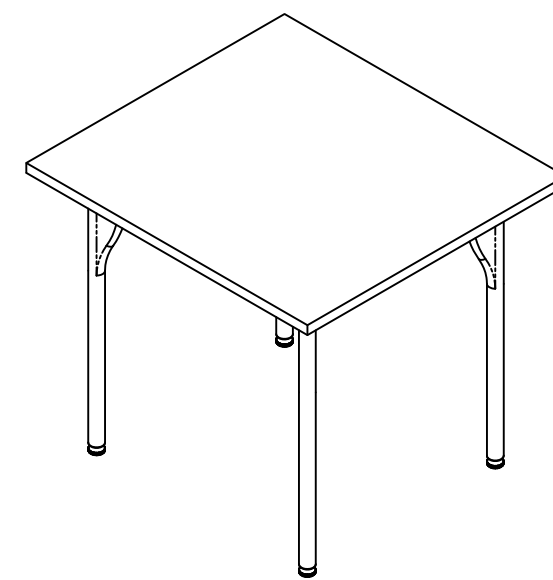
48"DIA
MDL# 58369 LEVELERS
MDL# 58376 CASTERS
MDL# 58383 LEVELERS- WOOD
MDL# 58390 CASTERS- WOOD



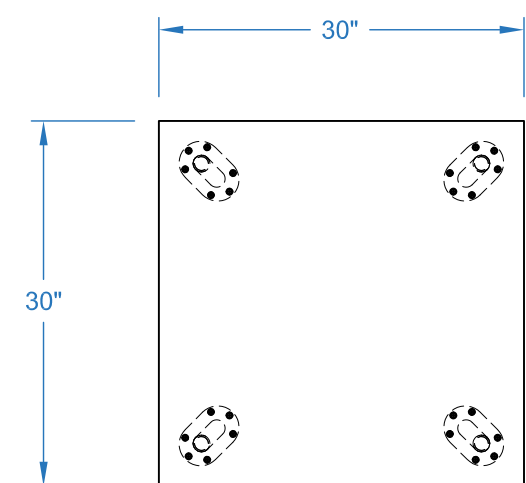
54"DIA
MDL# 58370 LEVELERS
MDL# 58377 CASTERS
MDL# 58384 LEVELERS- WOOD
MDL# 58391 CASTERS- WOOD



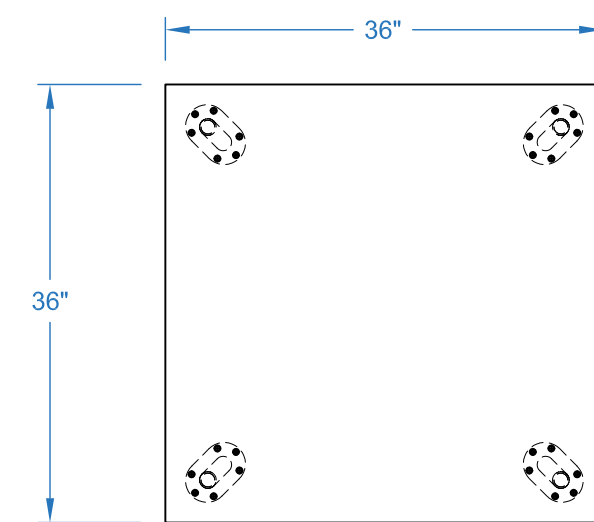
60"DIA
MDL# 58371 LEVELERS
MDL# 58378 CASTERS
MDL# 58385 LEVELERS- WOOD
MDL# 58392 CASTERS- WOOD



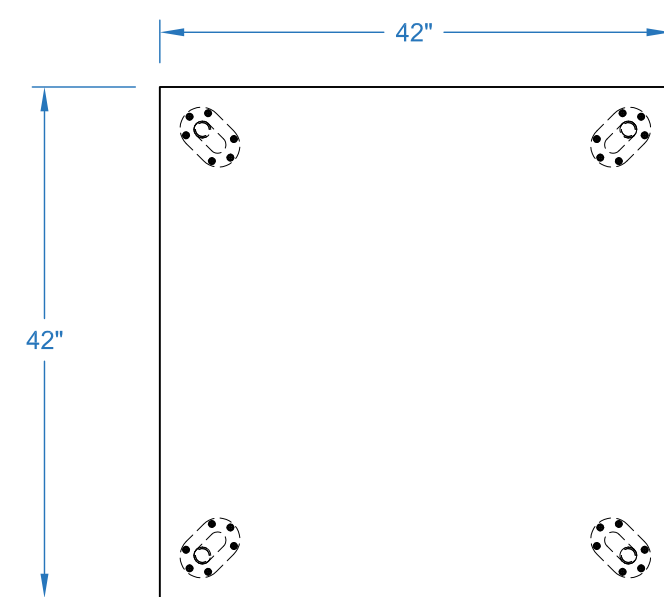
24" X 24"
MDL# 58281/2ML LEVELERS
MDL# 58323/2MC CASTERS
MDL# 58281/2WL LEVELERS- WOOD
MDL# 58323/2WC CASTERS- WOOD



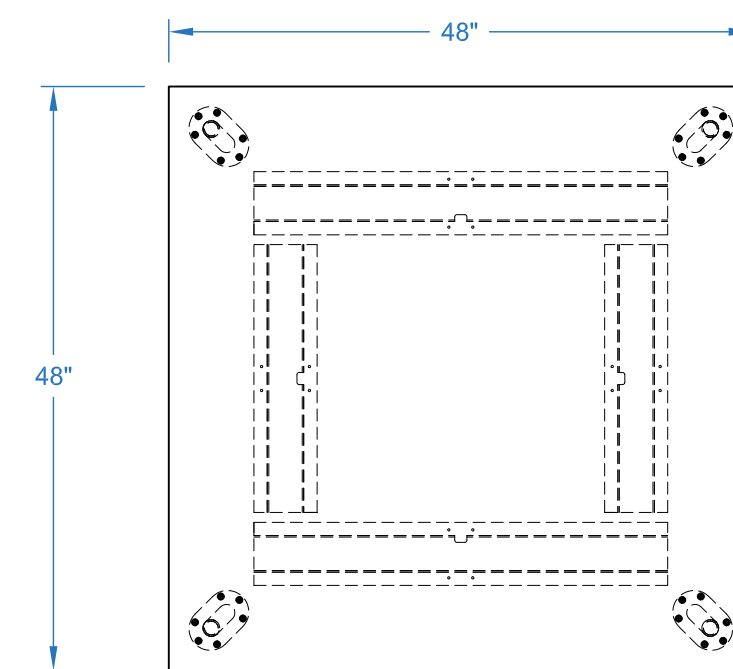
30" X 30"
MDL# 58282/2ML LEVELERS
MDL# 58324/2MC CASTERS
MDL# 58282/2WL LEVELERS- WOOD
MDL# 58324/2WC CASTERS- WOOD



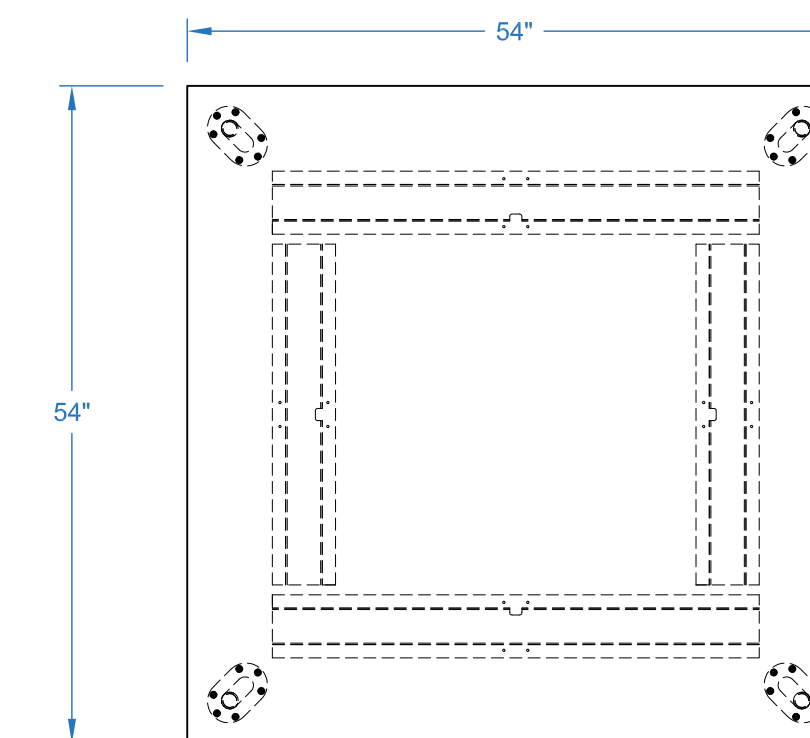
36" X 36"
MDL# 58283/2ML LEVELERS
MDL# 58325/2MC CASTERS
MDL# 58283/2WL LEVELERS- WOOD
MDL# 58325/2WC CASTERS- WOOD



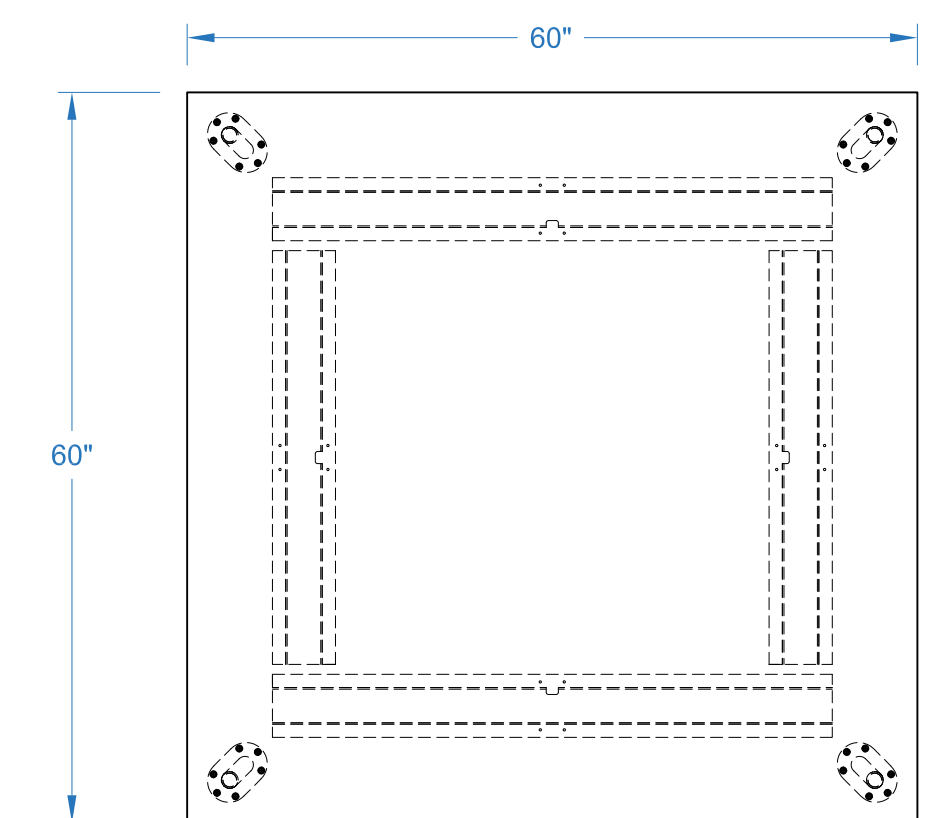
42" X 42"
MDL# 58284/2ML LEVELERS
MDL# 58326/2MC CASTERS
MDL# 58284/2WL LEVELERS- WOOD
MDL# 58326/2WC CASTERS- WOOD



48" X 48"
MDL# 58285/2ML LEVELERS
MDL# 58327/2MC CASTERS
MDL# 58285/2WL LEVELERS- WOOD
MDL# 58327/2WC CASTERS- WOOD



54" X 54"
MDL# 58286/2ML LEVELERS
MDL# 58328/2MC CASTERS
MDL# 58286/2WL LEVELERS- WOOD
MDL# 58328/2WC CASTERS- WOOD



60" X 60"
MDL# 58287/2ML LEVELERS
MDL# 58329/2MC CASTERS
MDL# 58287/2WL LEVELERS- WOOD
MDL# 58329/2WC CASTERS- WOOD

PRINT ON 24 X 36

<p>257 Finchdene Square, Scarborough, Ontario, Canada, M1X 1B9 Tel 416 298 5700 Fax 416 298 9535 www.nienkamper.com design@nienkamper.com</p>	OC-Project: MAGPOWER COLLECTION	Drawing No: ZRQ-001-01	C.S. Rep:	Issue Drawing To:
	Title: PLAN VIEW SYMBOLS FOR ROUND & SQUARE TABLES		Dwg For: WEBSITE	<p>CUST. SERVE</p>
	Drawn By: DESIGN DEPT	Scale: 3/4"=1'-0"	Revision No. R-	
	Date: OCT 17, 2022	PART #: -	Rev By: & Date:	

THIS DRAWING IS CONFIDENTIAL AND PROPRIETARY. NO PART OF THIS DRAWING MAY BE COPIED, DISCLOSED TO ANY THIRD PARTY OR USED FOR ANY PURPOSE WITHOUT THE EXPRESS WRITTEN AUTHORIZATION OF NIENKÄMPER FURNITURE & ACCESSORIES