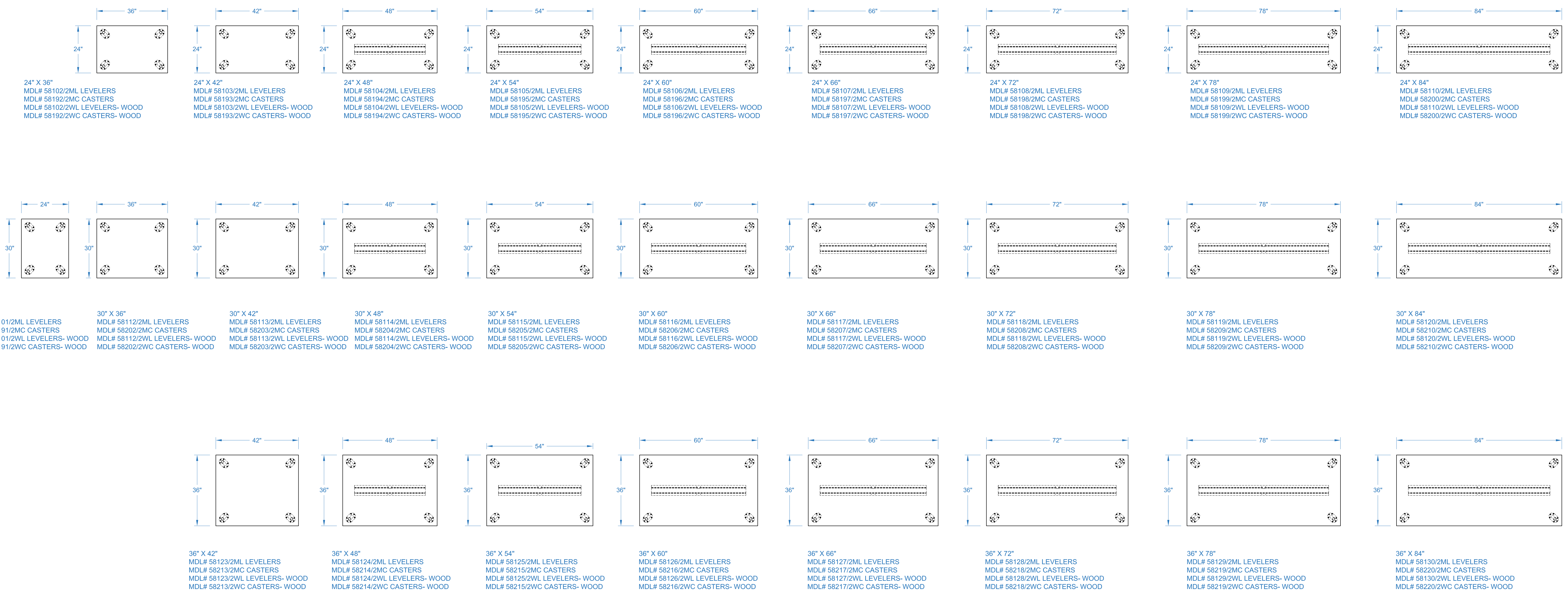
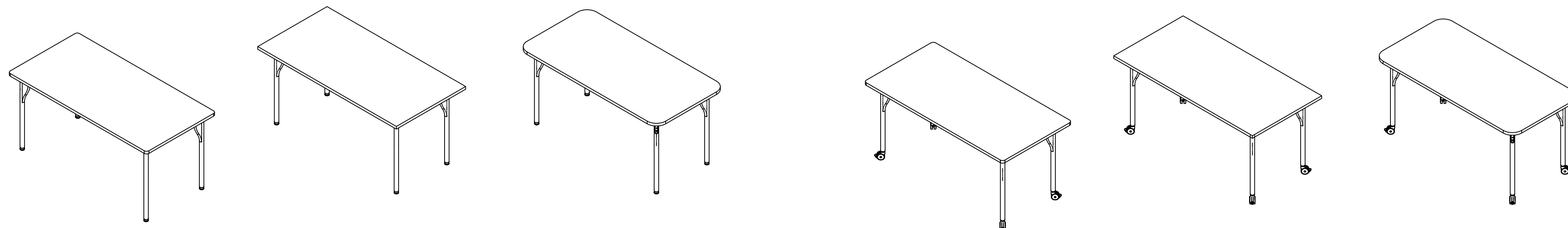


PLAN VIEW



PRINT ON 24 X 36

<p>257 Finchdene Square, Scarborough, Ontario, Canada, M1X 1B9 Tel 416 298 5700 Fax 416 298 9535 www.nienkamper.com design@nienkamper.com</p>	OC-Project: MAGPOWER COLLECTION	Drawing No: ZRQ-001-02	C.S. Rep:	Issue Drawing To:
	Title: PLAN VIEW SYMBOLS FOR RECTANGULAR TABLES	Dwg For: WEBSITE		
	Drawn By: DESIGN DEPT.	Scale: 1/4"=1'-0"	Revision No. R-	
	Date: OCT 17, 2022	PART # : -	Rev Details:	Rev By: & Date:

THIS DRAWING IS CONFIDENTIAL AND PROPRIETARY. NO PART OF THIS DRAWING MAY BE COPIED, DISCLOSED TO ANY THIRD PARTY OR USED FOR ANY PURPOSE WITHOUT THE EXPRESS WRITTEN AUTHORIZATION OF NIENKÄMPER FURNITURE & ACCESSORIES