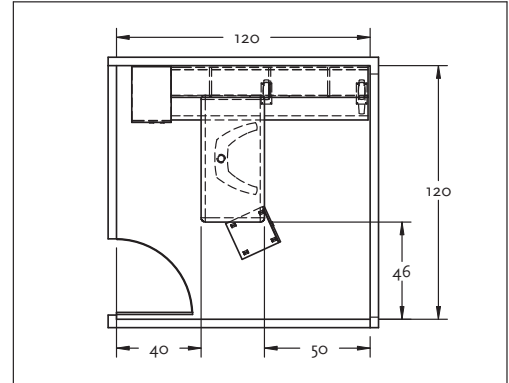
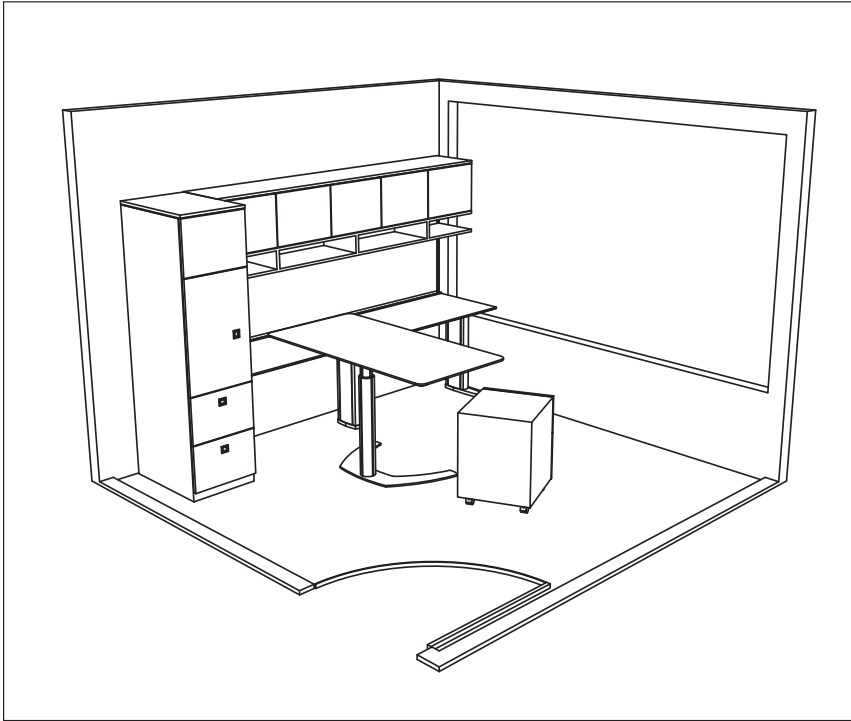


Vox® Office™ Typical A- 10' x 10' room



PRODUCT DESCRIPTION	MODEL #
WORKTOP 93 1/8" X 23 3/4"	70037
OVERHEAD W/ STORAGE AND TACK PANEL	70428
PERSONAL CLOSET- 1 DOOR/ 2 FILE	70741
PROJECT TABLE RECTANGULAR	70303
PED, BF, MOVEABLE, 18 5/8"	70251
LEG, FIXED PANELS	70001
LEG, FIXED PANELS	70003

Possible LEED credits – Commercial Interiors

Materials (extracted/harvested origin)												MR 4.1, 4.2	MR 6	MR 7	EQ 4.5
Total Weight	MDF (Alberta, Canada)	Particle board (Quebec, Canada)	Virgin Wood (source varies)	Plywood (Ontario, Canada)	Tentest	Fabric	Misc. Plastic	Glass	*Aluminum (Ontario, Canada)	Steel	Post consumer Recycled	Pre consumer Recycled	Rapidly Renewable	FSC Mixed Credit	Greenguard indoor Air Quality Certified
lbs	715.8	426.3	138	5.5	4.8	10.5	2.5	5	0	30.9	92.3	23.1	595.2	0	Value 100% of product cost Available on request Pending Testing
%		59.5%	19.3%	0.8%	0.7%	1.5%	0.3%	0.7%	0%	4.3%	12.9%	3.2%	83.2%	0%	

Urea-Formaldehyde Free- MDF and Particle board are available on request.

Particle Board- Contains Urea-Formaldehyde resin. CARB phase 1 compliant.

MDF- Contains Polymerized Urea-Formaldehyde resin (CAS no. 9011-05-6) 6% - 12% by weight. CARB phase 1 compliant.

MR 2.1- Construction waste management, Nienkamper blanket wraps all furniture and uses cardboard boxes for hardware.

MR 5.1- Origin, Toronto, Ontario, Canada

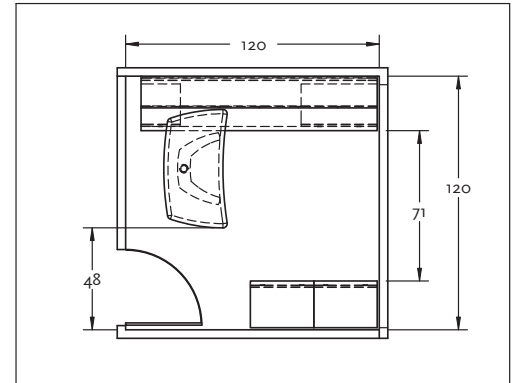
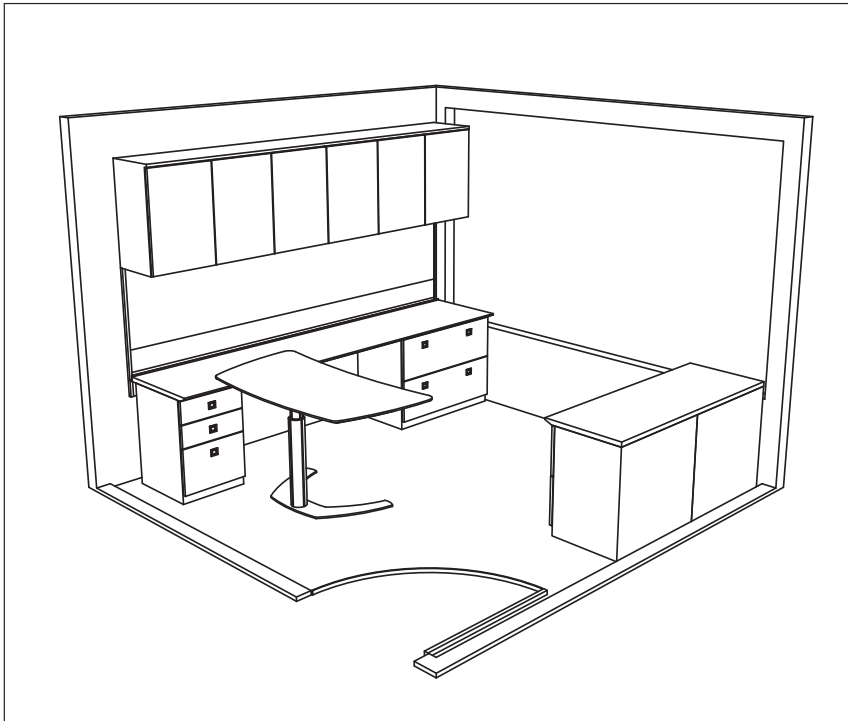
MR 6 credit- Rapidly renewable materials are available and can be used on work surfaces (i.e. bamboo).

MR 7 credit- Nienkamper is FSC (Forest Stewardship Council) Chain of Custody (code # SW-COC-003521) and Controlled Wood (code # SW-CW-003521).

*Aluminum- Nienkamper only uses 100% Pre-consumer recycled aluminum extrusions. (Recycled in Ontario, Canada)

V05.26.09

Vox® Office™ Typical B- 10' x 10' room



PRODUCT DESCRIPTION	MODEL #
WORKTOP 111 3/4" X 23 3/4"	70047
36"W FF FIXED PED	70217
18 5/8"W BBF FIXED PED	70203
PROJECT TABLE FORMA	70301
OVERHEAD, TACK PANEL	70451
30"W FF FIXED PED W/T	70214

Possible LEED credits – Commercial Interiors

Materials (extracted/harvested origin)											MR 4.1, 4.2		MR 6	MR 7	EQ 4.5	
Total Weight	MDF (Alberta, Canada)	Particle board (Quebec, Canada)	Virgin Wood (source varies)	Plywood (Ontario, Canada)	Tentest	Fabric	Misc. Plastic	Glass	*Aluminum (Ontario, Canada)	Steel	Post consumer Recycled	Pre consumer Recycled	Rapidly Renewable	FSC Mixed Credit	Greenguard indoor Air Quality Certified	
lbs	1026.2	611.2	276.3	8.6	6	12	3	4.5	0	17.4	91.5	22.9	904.9	0	Value 100% of product cost Available on request	Pending Testing
%		59.3%	26.8%	0.8%	0.6%	1.2%	0.3%	0.4%	0%	1.7%	8.9%	2.2%	87.8%	0%		

Urea-Formaldehyde Free- MDF and Particle board are available on request.

Particle Board- Contains Urea-Formaldehyde resin. CARB phase 1 compliant.

MDF- Contains Polymerized Urea-Formaldehyde resin (CAS no. 9011-05-6) 6% - 12% by weight. CARB phase 1 compliant.

MR 2.1- Construction waste management, Nienkamper blanket wraps all furniture and uses cardboard boxes for hardware.

MR 5.1- Origin, Toronto, Ontario, Canada

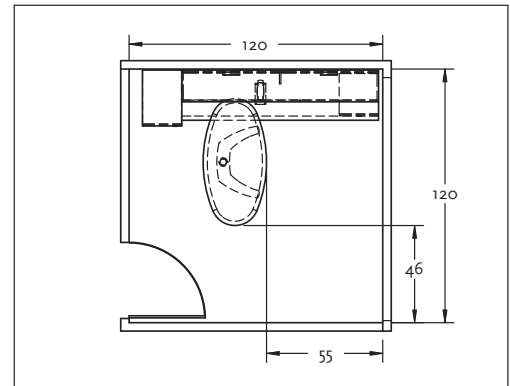
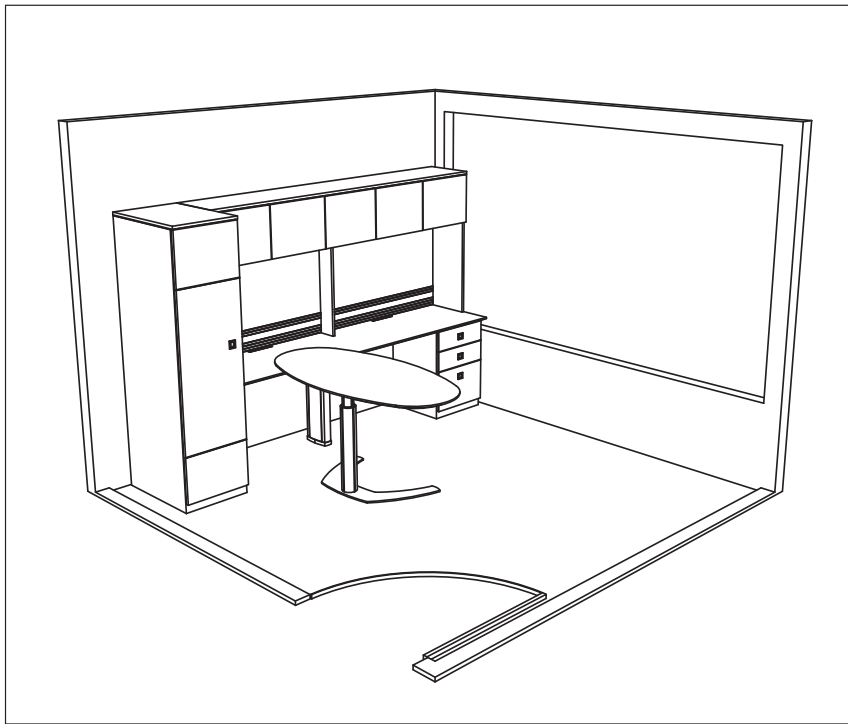
MR 6 credit- Rapidly renewable materials are available and can be used on work surfaces (i.e. bamboo).

MR 7 credit- Nienkamper is FSC (Forest Stewardship Council) Chain of Custody (code # SW-COC-003521) and Controlled Wood (code # SW-CW-003521).

***Aluminum-** Nienkamper only uses 100% Pre-consumer recycled aluminum extrusions. (Recycled in Ontario, Canada)

V05.26.09

Vox® Office™ Typical C- 10' x 10' room



PRODUCT DESCRIPTION	MODEL #
WORKSURFACE 93 1/8" X 23 3/4"	70037
OVERHEAD, TACK PANEL AND ACCESSORY RAIL	70389
PERSONAL CLOSET	70551
18.625W BBF FIXED PED	70203
LEG, FIXED PANEL	70003
PROJECT TABLE OVAL	70304

Possible LEED credits – Commercial Interiors

Materials (extracted/harvested origin)											MR 4.1, 4.2		MR 6	MR 7	EQ 4.5	
Total Weight	MDF (Alberta, Canada)	Particle board (Quebec, Canada)	Virgin Wood (source varies)	Plywood (Ontario, Canada)	Tentest	Fabric	Misc. Plastic	Glass	*Aluminum (Ontario, Canada)	Steel	Post consumer Recycled	Pre consumer Recycled	Rapidly Renewable	FSC Mixed Credit	Greenguard indoor Air Quality Certified	
lbs	742.7	460.6	173.3	5.5	4	6.8	2	3	0	24.2	63.4	15.8	658.1	0	Value 100% of product cost Available on request	Pending Testing
%		62%	23.3%	0.7%	0.5%	0.9%	0.3%	0.4%	0%	3.3%	8.5%	2.1%	88.6%	0%		

Urea-Formaldehyde Free- MDF and Particle board are available on request.

Particle Board- Contains Urea-Formaldehyde resin. CARB phase 1 compliant.

MDF- Contains Polymerized Urea-Formaldehyde resin (CAS no. 9011-05-6) 6% - 12% by weight. CARB phase 1 compliant.

MR 2.1- Construction waste management, Nienkämper blanket wraps all furniture and uses cardboard boxes for hardware.

MR 5.1- Origin, Toronto, Ontario, Canada

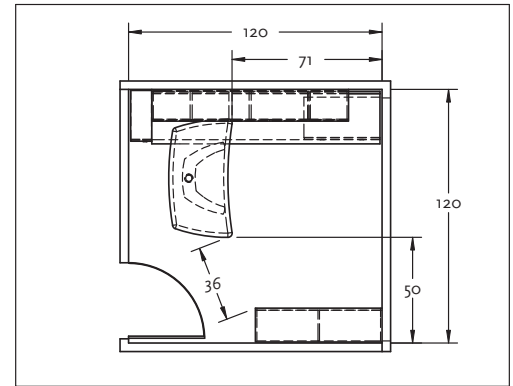
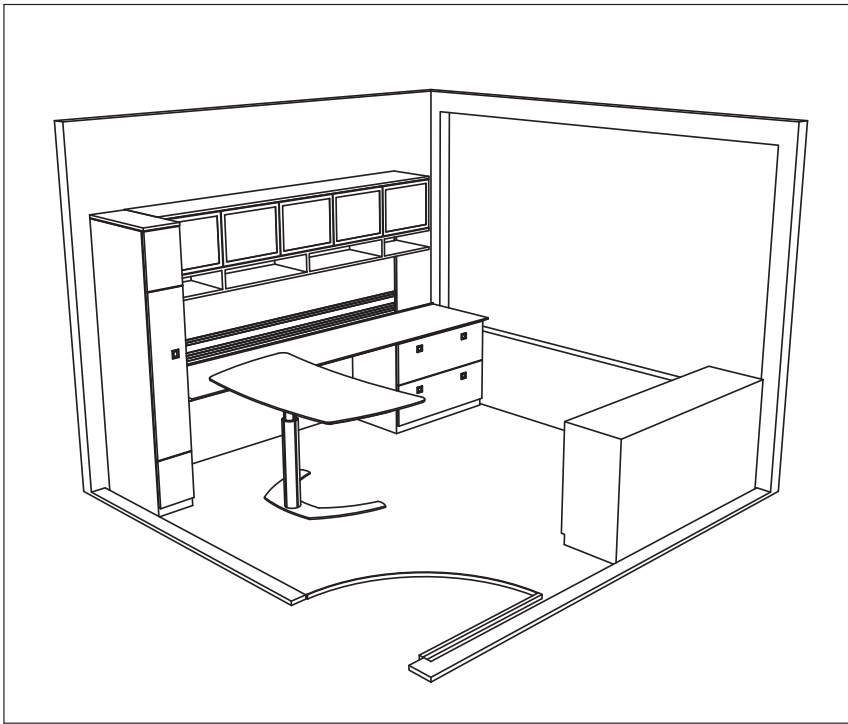
MR 6 credit- Rapidly renewable materials are available and can be used on work surfaces (i.e. bamboo).

MR 7 credit- Nienkämper is FSC (Forest Stewardship Council) Chain of Custody (code # SW-COC-003521) and Controlled Wood (code # SW-CW-003521).

*Aluminum- Nienkämper only uses 100% Pre-consumer recycled aluminum extrusions. (Recycled in Ontario, Canada)

V05.26.09

Vox® Office™ Typical D- 10' x 10' room



PRODUCT DESCRIPTION	MODEL #
WORKTOP 108" X 23 3/4"	70044
WARDROBE	70555
36"W FF FIXED PED	70217
GLASS OVERHEAD W/ STORAGE, TACK PANEL AND ACCESSORY RAIL	70458
60W X 30.5 BOOKCASE (PAINT/WOOD)	70725/3
PROJECT TABLE FORMA	70301

Possible LEED credits – Commercial Interiors

Materials (extracted/harvested origin)												MR 4.1, 4.2	MR 6	MR 7	EQ 4.5
Total Weight	MDF (Alberta, Canada)	Particle board (Quebec, Canada)	Virgin Wood (source varies)	Plywood (Ontario, Canada)	Tentest	Fabric	Misc. Plastic	Glass	*Aluminum (Ontario, Canada)	Steel	Post consumer Recycled	Pre consumer Recycled	Rapidly Renewable	FSC Mixed Credit	Greenguard indoor Air Quality Certified
lbs	809.5	561.6	124.3	5.6	4.8	9.3	2.5	3	15	28.6	55	13.8	714.4	0	Value 100% of product cost Available on request Pending Testing
%		69.4%	15.3%	0.7%	0.6%	1.1%	0.3%	0.4%	1.9%	3.5%	6.8%	1.7%	88.2%	0%	

Urea-Formaldehyde Free- MDF and Particle board are available on request.

Particle Board- Contains Urea-Formaldehyde resin. CARB phase 1 compliant.

MDF- Contains Polymerized Urea-Formaldehyde resin (CAS no. 9011-05-6) 6% - 12% by weight. CARB phase 1 compliant.

MR 2.1- Construction waste management, Nienkamper blanket wraps all furniture and uses cardboard boxes for hardware.

MR 5.1- Origin, Toronto, Ontario, Canada

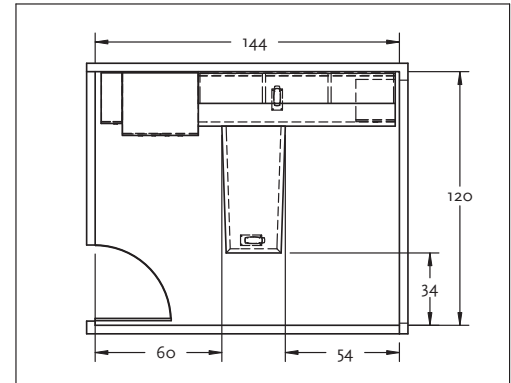
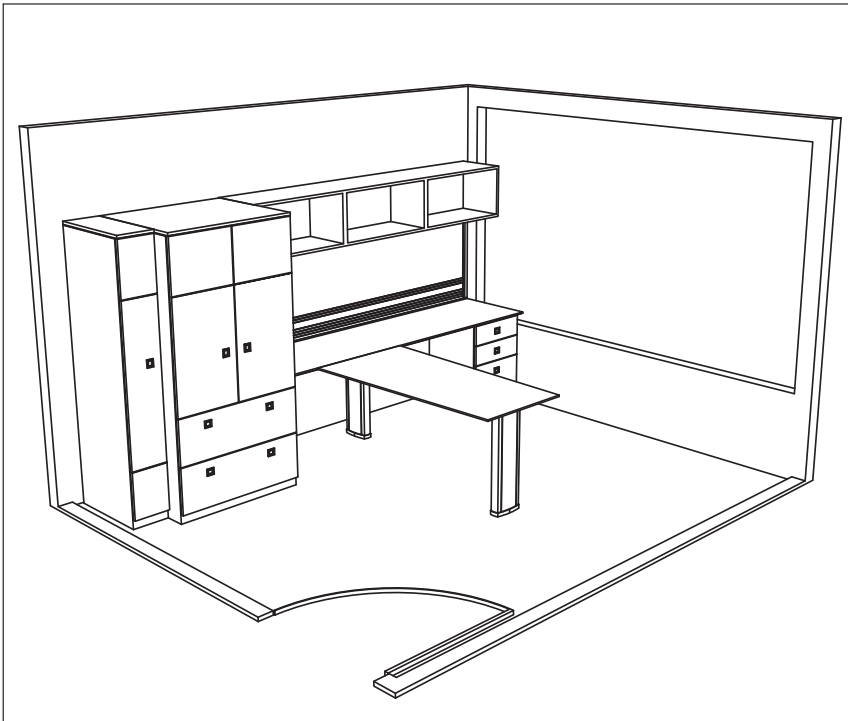
MR 6 credit- Rapidly renewable materials are available and can be used on work surfaces (i.e. bamboo).

MR 7 credit- Nienkamper is FSC (Forest Stewardship Council) Chain of Custody (code # SW-COC-003521) and Controlled Wood (code # SW-CW-003521).

*Aluminum- Nienkamper only uses 100% Pre-consumer recycled aluminum extrusions. (Recycled in Ontario, Canada)

V05.26.09

Vox® Office™ Typical A- 10' x 12' room



PRODUCT DESCRIPTION	MODEL #
WORKTOP 93 1/8" X 23 3/4"	70037
OPEN OVERHEAD, TACK PANEL AND ACCESSORY RAIL	70398
36W DBL CLOSET 2 DOORS 2 DRAWERS	70526
WARDROBE	70555
18.625W BBF FIXED PED	70203
LEG, FIXED PANELS	70003
PROJECT TABLE 60 X 30-26D TAPERED	70173

Possible LEED credits – Commercial Interiors

Materials (extracted/harvested origin)												MR 4.1, 4.2	MR 6	MR 7	EQ 4.5
Total Weight	MDF (Alberta, Canada)	Particle board (Quebec, Canada)	Virgin Wood (source varies)	Plywood (Ontario, Canada)	Tentest	Fabric	Misc. Plastic	Glass	*Aluminum (Ontario, Canada)	Steel	Post consumer Recycled	Pre consumer Recycled	Rapidly Renewable	FSC Mixed Credit	Greenguard indoor Air Quality Certified
lbs	937.7	626.8	208.0	5.9	6	8.3	3	4.5	0	35.2	40	10	870.1	0	Value 100% of product cost Available on request Pending Testing
%		66.9%	22.2%	0.6%	0.6%	0.9%	0.3%	0.5%	0%	3.8%	4.3%	1.1%	92.8%	0%	

Urea-Formaldehyde Free- MDF and Particle board are available on request.

Particle Board- Contains Urea-Formaldehyde resin. CARB phase 1 compliant.

MDF- Contains Polymerized Urea-Formaldehyde resin (CAS no. 9011-05-6) 6% - 12% by weight. CARB phase 1 compliant.

MR 2.1- Construction waste management, Nienkämper blanket wraps all furniture and uses cardboard boxes for hardware.

MR 5.1- Origin, Toronto, Ontario, Canada

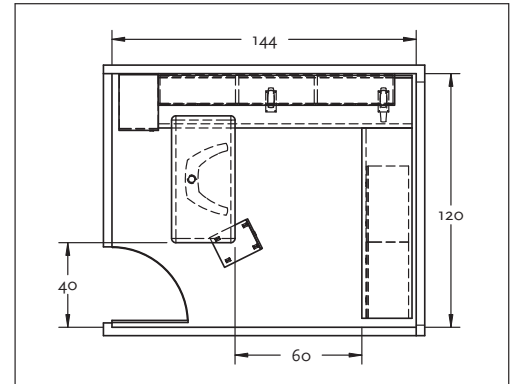
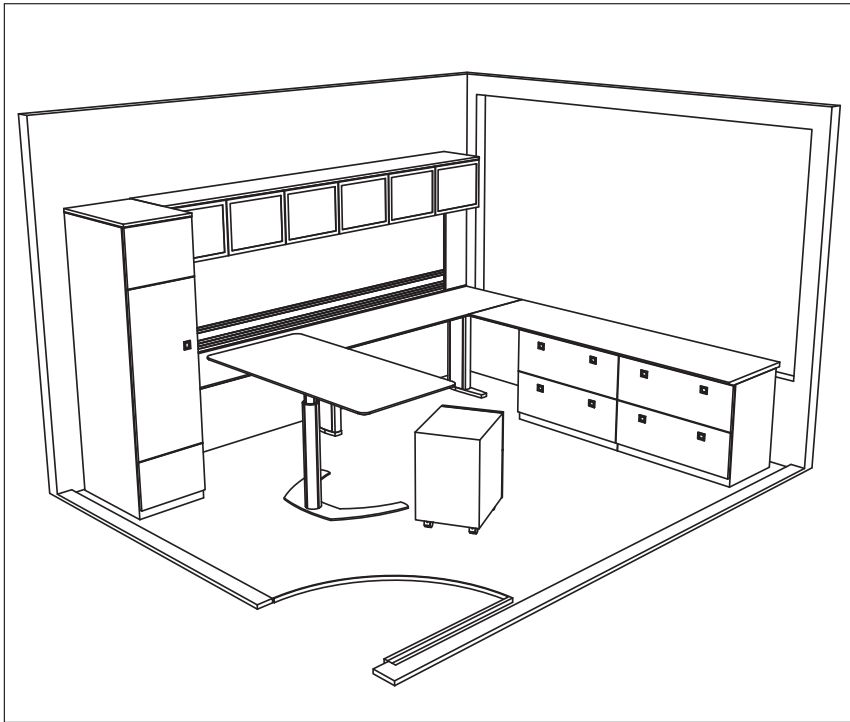
MR 6 credit- Rapidly renewable materials are available and can be used on work surfaces (i.e. bamboo).

MR 7 credit- Nienkämper is FSC (Forest Stewardship Council) Chain of Custody (code # SW-COC-003521) and Controlled Wood (code # SW-CW-003521).

*Aluminum- Nienkämper only uses 100% Pre-consumer recycled aluminum extrusions. (Recycled in Ontario, Canada)

V05.26.09

Vox® Office™ Typical B - 10' x 12' room



PRODUCT DESCRIPTION	MODEL #
WORKTOP 120" X 23 3/4"	70054
GLASS OVERHEAD, TACK PANEL AND ACCESSORY RAIL	70420
PERSONAL CLOSET	70551
LEG, FIXED PANELS	70001
LEG, FIXED PANELS	70303
PROJECT TABLE RECTANGULAR	70303
RETURN, 90" X 23 3/4"	70111
36W FF FIXED PED	70217
PED, BF, MOVEABLE, 15 3/4"	70249

Possible LEED credits – Commercial Interiors

Materials (extracted/harvested origin)											MR 4.1, 4.2		MR 6	MR 7	EQ 4.5	
	Total Weight	MDF (Alberta, Canada)	Particle board (Quebec, Canada)	Virgin Wood (source varies)	Plywood (Ontario, Canada)	Tentest	Fabric	Misc. Plastic	Glass	*Aluminum (Ontario, Canada)	Steel	Post consumer Recycled	Pre consumer Recycled	Rapidly Renewable	FSC Mixed Credit	Greenguard indoor Air Quality Certified
lbs	1442.3	925.9	326.8	9.3	6	8.3	3	6.5	18	49.1	89.5	22.4	1301.8	0	Value 100% of product cost Available on request	Pending Testing
%		64.2%	22.7%	0.6%	0.4%	0.6%	0.2%	0.5%	1.2%	3.4%	6.2%	1.5%	90.3%	0%		

Urea-Formaldehyde Free- MDF and Particle board are available on request.

Particle Board- Contains Urea-Formaldehyde resin. CARB phase 1 compliant.

MDF- Contains Polymerized Urea-Formaldehyde resin (CAS no. 9011-05-6) 6% - 12% by weight. CARB phase 1 compliant.

MR 2.1- Construction waste management, Nienkamper blanket wraps all furniture and uses cardboard boxes for hardware.

MR 5.1- Origin, Toronto, Ontario, Canada

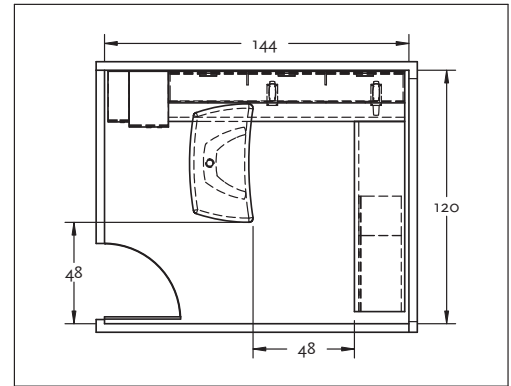
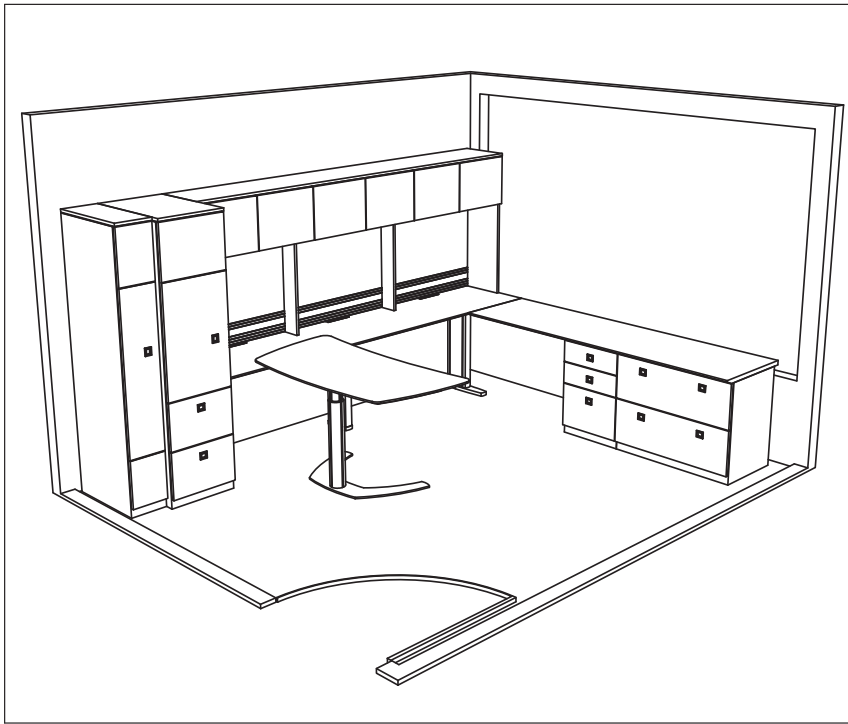
MR 6 credit- Rapidly renewable materials are available and can be used on work surfaces (i.e. bamboo).

MR 7 credit- Nienkamper is FSC (Forest Stewardship Council) Chain of Custody (code # SW-COC-003521) and Controlled Wood (code # SW-CW-003521).

*Aluminum- Nienkamper only uses 100% Pre-consumer recycled aluminum extrusions. (Recycled in Ontario, Canada)

V05.26.09

Vox® Office™ Typical C- 10' x 12' room



PRODUCT DESCRIPTION		
RETURN, 90" X 23 3/4"		70111
36W FF FIXED PED		70217
18 5/8"W BBF FIXED PED		70203
WARDROBE		70555
LEG, FIXED PANELS		70001
LEG, FIXED PANELS		70003
WORKSURFACE 111 3/4" X 23 3/4"		70047
OVERHEAD, TACK PANEL AND ACCESSORY RAIL		70392
PERSONAL CLOSET- 1 DOOR/ 2 FILE		70741
PROJECT TABLE FORMA		70301

Possible LEED credits – Commercial Interiors

Materials (extracted/harvested origin)												MR 4.1, 4.2		MR 6	MR 7	EQ 4.5
	Total Weight	MDF (Alberta, Canada)	Particle board (Quebec, Canada)	Virgin Wood (source varies)	Plywood (Ontario, Canada)	Tentest	Fabric	Misc. Plastic	Glass	*Aluminum (Ontario, Canada)	Steel	Post consumer Recycled	Pre consumer Recycled	Rapidly Renewable	FSC Mixed Credit	Greenguard indoor Air Quality Certified
lbs	1137.4	718.5	249.5	8.8	6	8.3	3	4.5	0	45	94	23.5	1012.9	0	Value 100% of product cost Available on request	Pending Testing
%		63.1%	21.9%	0.8%	0.5%	0.7%	0.3%	0.4%	0%	4%	8.3%	2.1%	89.1%	0%		

Urea-Formaldehyde Free- MDF and Particle board are available on request.

Particle Board- Contains Urea-Formaldehyde resin. CARB phase 1 compliant.

MDF- Contains Polymerized Urea-Formaldehyde resin (CAS no. 9011-05-6) 6% - 12% by weight. CARB phase 1 compliant.

MR 2.1- Construction waste management, Nienkamper blanket wraps all furniture and uses cardboard boxes for hardware.

MR 5.1- Origin, Toronto, Ontario, Canada

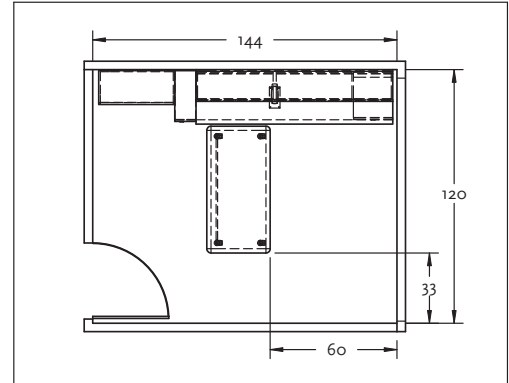
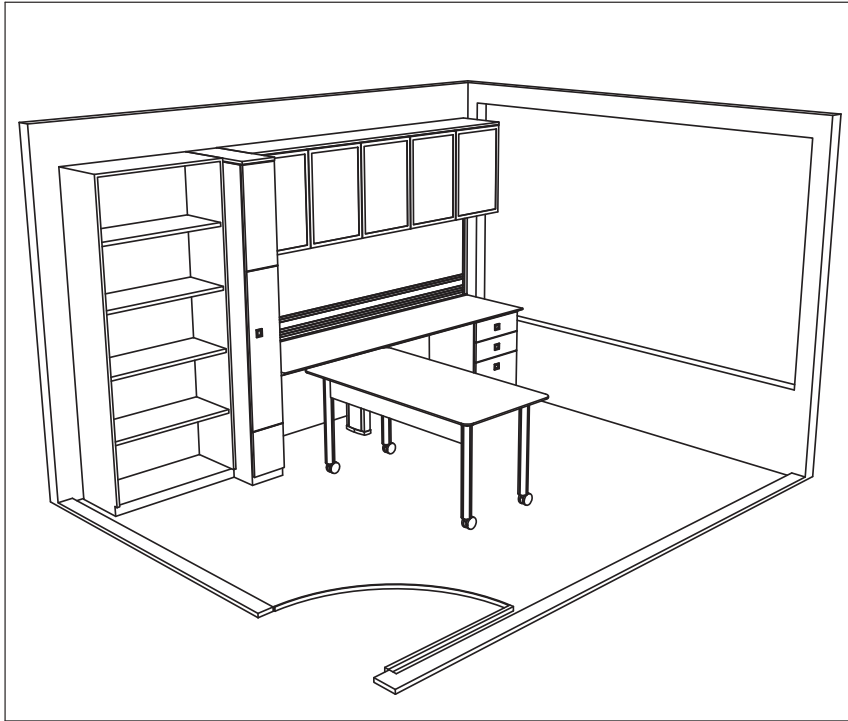
MR 6 credit- Rapidly renewable materials are available and can be used on work surfaces (i.e. bamboo).

MR 7 credit- Nienkamper is FSC (Forest Stewardship Council) Chain of Custody (code # SW-COC-003521) and Controlled Wood (code # SW-CW-003521).

*Aluminum- Nienkamper only uses 100% Pre-consumer recycled aluminum extrusions. (Recycled in Ontario, Canada)

V05.26.09

Vox® Office™ Typical D- 10' x 12' room



PRODUCT DESCRIPTION	MODEL #
WORKTOP 93 1/8" X 23 3/4"	70037
18 5/8"W BBF FIXED PED	70203
LEG, FIXED PANELS	70003
GLASS OVERHEAD, TACK PANEL AND ACCESSORY RAIL	70588
WARDROBE	70556
36"W X 85 1/4"H OPEN CLOSET (SHALLOW)	70530
PRO TABLE ON CASTERS 60 x 30- WITH MODESTY	70361

Possible LEED credits – Commercial Interiors

Materials (extracted/harvested origin)											MR 4.1, 4.2	MR 6	MR 7	EQ 4.5	
Total Weight	MDF (Alberta, Canada)	Particle board (Quebec, Canada)	Virgin Wood (source varies)	Plywood (Ontario, Canada)	Tentest	Fabric	Misc. Plastic	Glass	*Aluminum (Ontario, Canada)	Steel	Post consumer Recycled	Pre consumer Recycled	Rapidly Renewable	FSC Mixed Credit	Greenguard indoor Air Quality Certified
lbs	1144.2	808.4	200.8	4.3	4.8	6.8	2.5	4	27.5	52.5	35.7	8.9	1061.7	0	Value 100% of product cost Available on request Pending Testing
%		70.4%	17.5%	0.4%	0.4%	0.6%	0.2%	0.3%	2.4%	4.6%	3.1%	0.8%	92.6%	0%	

Urea-Formaldehyde Free- MDF and Particle board are available on request.

Particle Board- Contains Urea-Formaldehyde resin. CARB phase 1 compliant.

MDF- Contains Polymerized Urea-Formaldehyde resin (CAS no. 9011-05-6) 6% - 12% by weight. CARB phase 1 compliant.

MR 2.1- Construction waste management, Nienkamper blanket wraps all furniture and uses cardboard boxes for hardware.

MR 5.1- Origin, Toronto, Ontario, Canada

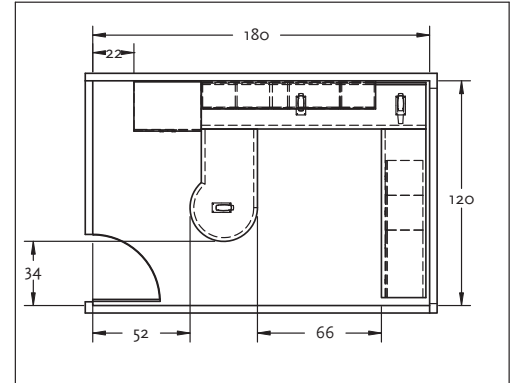
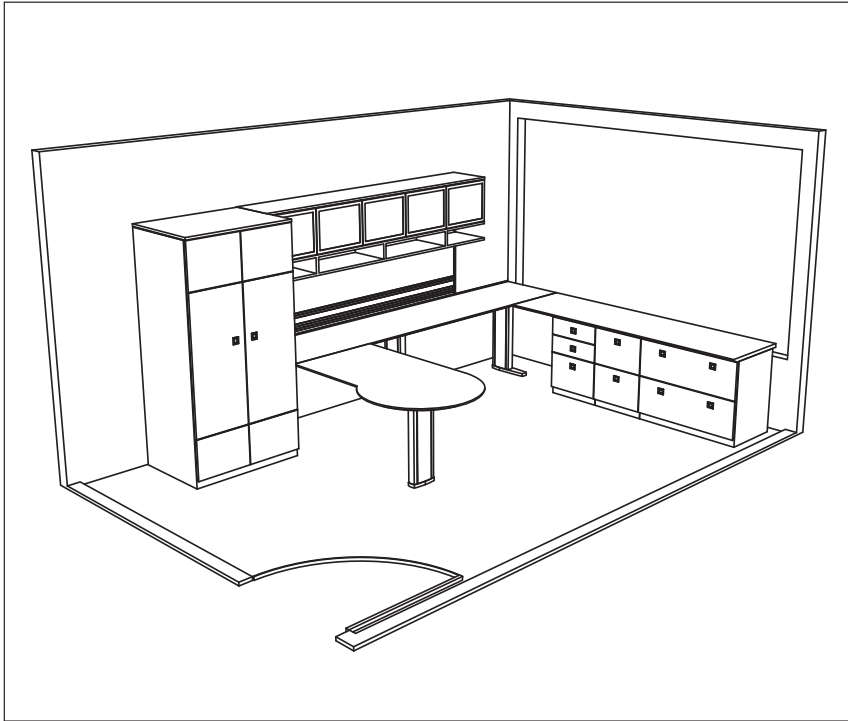
MR 6 credit- Rapidly renewable materials are available and can be used on work surfaces (i.e. bamboo).

MR 7 credit- Nienkamper is FSC (Forest Stewardship Council) Chain of Custody (code # SW-COC-003521) and Controlled Wood (code # SW-CW-003521).

*Aluminum- Nienkamper only uses 100% Pre-consumer recycled aluminum extrusions. (Recycled in Ontario, Canada)

V05.26.09

Vox® Office™ Typical A- 10' x 15' room



PRODUCT DESCRIPTION	MODEL #
WORKTOP 120" X 23 3/4"	70054
GLASS OVERHEAD W/ STORAGE, TACK PANEL AND ACCESSORY RAIL	70458
36W DBL CLOSET WITH DOORS	70521
PROJECT TABLE 60W X 30-36D ROUND END	70569
RETURN, 90" X 23 3/4"	70111
36W FF FIXED PED	70217
18.625W FF FIXED PED	70205
18.625W BBF FIXED PED	70203
LEG, FIXED PANELS	70001
LEG, FIXED PANELS	70003

Possible LEED credits – Commercial Interiors

Materials (extracted/harvested origin)											MR 4.1, 4.2		MR 6	MR 7	EQ 4.5	
	Total Weight	MDF (Alberta, Canada)	Particle board (Quebec, Canada)	Virgin Wood (source varies)	Plywood (Ontario, Canada)	Tentest	Fabric	Misc. Plastic	Glass	*Aluminum (Ontario, Canada)	Steel	Post consumer Recycled	Pre consumer Recycled	Rapidly Renewable	FSC Mixed Credit	Greenguard indoor Air Quality Certified
lbs	1096.7	713.4	225.3	7.6	4.8	6.8	2.5	3	15	51.3	67.1	16.8	990	0	Value 100% of product cost Available on request	Pending Testing
%		65%	20.6%	0.7%	0.4%	0.6%	0.2%	0.3%	1.4%	4.7%	6.1%	1.5%	90.5%	0%		

Urea-Formaldehyde Free- MDF and Particle board are available on request.

Particle Board- Contains Urea-Formaldehyde resin. CARB phase 1 compliant.

MDF- Contains Polymerized Urea-Formaldehyde resin (CAS no. 9011-05-6) 6% - 12% by weight. CARB phase 1 compliant.

MR 2.1- Construction waste management, Nienkämper blanket wraps all furniture and uses cardboard boxes for hardware.

MR 5.1- Origin, Toronto, Ontario, Canada

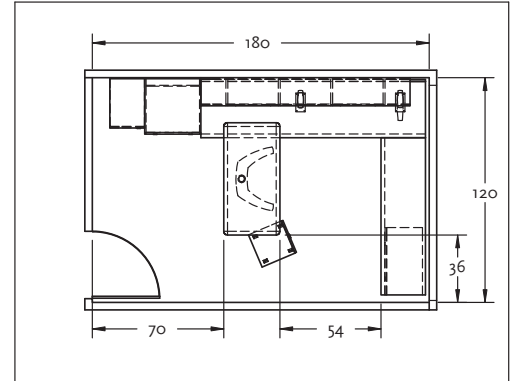
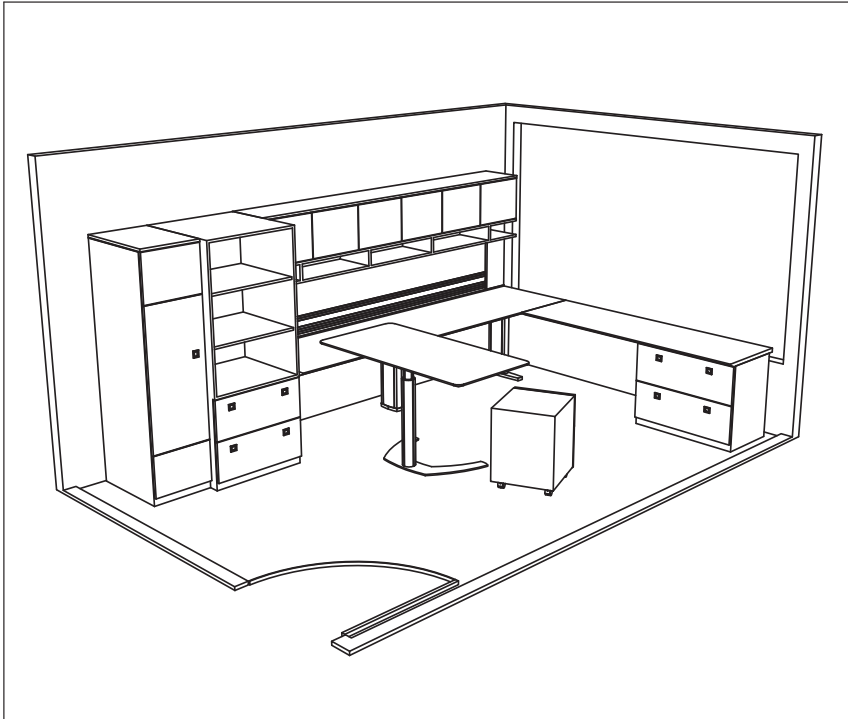
MR 6 credit- Rapidly renewable materials are available and can be used on work surfaces (i.e. bamboo).

MR 7 credit- Nienkämper is FSC (Forest Stewardship Council) Chain of Custody (code # SW-COC-003521) and Controlled Wood (code # SW-CW-003521).

*Aluminum- Nienkämper only uses 100% Pre-consumer recycled aluminum extrusions. (Recycled in Ontario, Canada)

V05.26.09

Vox® Office™ Typical B- 10' x 15' room



PRODUCT DESCRIPTION	MODEL #
RETURN, 84" X 23 3/4"	70104
36W FF FIXED PED	70217
WORKTOP 120" X 30"	70056
OVERHEAD W/ STORAGE, TACK PANEL AND ACCESSORY RAIL	70432
30W OPEN DBL CLOSET 2 FILE DRAWERS	70516
PERSONAL CLOSET	70551
LEG, FIXED PANELS	70001
LEG, FIXED PANELS	70003
PROJECT TABLE RECTANGULAR	70303
PED, BF, MOVEABLE, 18 5/8"	70251

Possible LEED credits – Commercial Interiors

Materials (extracted/harvested origin)											MR 4.1, 4.2		MR 6	MR 7	EQ 4.5
Total Weight	MDF (Alberta, Canada)	Particle board (Quebec, Canada)	Virgin Wood (source varies)	Plywood (Ontario, Canada)	Tentest	Fabric	Misc. Plastic	Glass	*Aluminum (Ontario, Canada)	Steel	Post consumer Recycled	Pre consumer Recycled	Rapidly Renewable	FSC Mixed Credit	Greenguard indoor Air Quality Certified
lbs	1288.1	867.4	274.8	5.6	6	8.3	3	6.5	0	37.1	77	19.3	1179.3	0	Value 100% of product cost Available on request Pending Testing
%		67.3%	21.3%	0.6%	0.5%	0.6%	0.2%	0.5%	0%	2.9%	6.0%	1.5%	91.5%	0%	

Urea-Formaldehyde Free- MDF and Particle board are available on request.

Particle Board- Contains Urea-Formaldehyde resin. CARB phase 1 compliant.

MDF- Contains Polymerized Urea-Formaldehyde resin (CAS no. 9011-05-6) 6% - 12% by weight. CARB phase 1 compliant.

MR 2.1- Construction waste management, Nienkamper blanket wraps all furniture and uses cardboard boxes for hardware.

MR 5.1- Origin, Toronto, Ontario, Canada

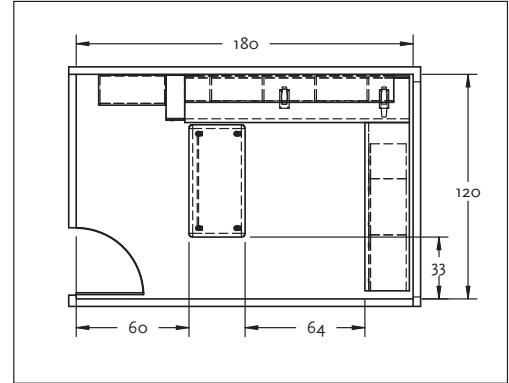
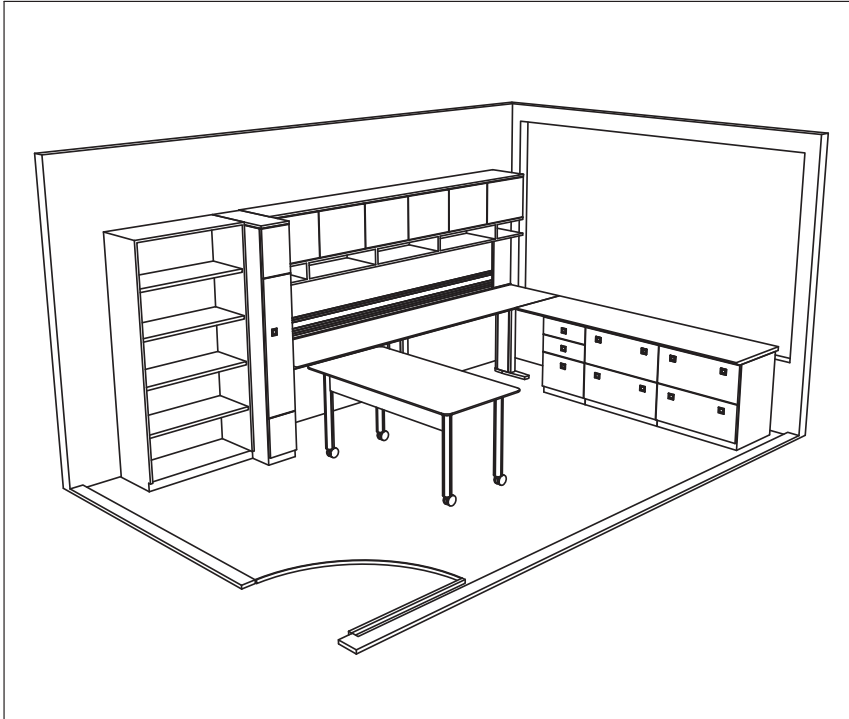
MR 6 credit- Rapidly renewable materials are available and can be used on work surfaces (i.e. bamboo).

MR 7 credit- Nienkamper is FSC (Forest Stewardship Council) Chain of Custody (code # SW-COC-003521) and Controlled Wood (code # SW-CW-003521).

*Aluminum- Nienkamper only uses 100% Pre-consumer recycled aluminum extrusions. (Recycled in Ontario, Canada)

V05.26.09

Vox® Office™ Typical C- 10' x 15' room



PRODUCT DESCRIPTION	MODEL #
WORKTOP 120" X 23 3/4"	70054
RETURN, 90" X 23 3/4"	70111
18 5/8"W BBF FIXED PED	70203
LEG, FIXED PANELS	70001
LEG, FIXED PANELS	70003
OVERHEAD W/ STORAGE, TACK PANEL AND ACCESSORY RAIL	70432
30"W FF FIXED PED	70213
WARDROBE	70555
PRO TABLE ON CASTERS 60 x 30- WITH MODESTY	70361
36W X 73H OPEN CLOSET (SHALLOW)	70510

Possible LEED credits – Commercial Interiors

Materials (extracted/harvested origin)											MR 4.1, 4.2		MR 6	MR 7	EQ 4.5	
	Total Weight	MDF (Alberta, Canada)	Particle board (Quebec, Canada)	Virgin Wood (source varies)	Plywood (Ontario, Canada)	Tentest	Fabric	Misc. Plastic	Glass	*Aluminum (Ontario, Canada)	Steel	Post consumer Recycled	Pre consumer Recycled	Rapidly Renewable	FSC Mixed Credit	Greenguard indoor Air Quality Certified
lbs	1152.3	766.2	240	8.7	6	8.3	3	5.5	0	50.1	64.6	16.1	1056.3	0	Value 100% of product cost Available on request	Pending Testing
%		66.5%	20.8%	0.8%	0.5%	0.7%	0.3%	0.5%	0%	4.3%	5.6%	1.4%	91.7%	0%		

Urea-Formaldehyde Free- MDF and Particle board are available on request.

Particle Board- Contains Urea-Formaldehyde resin. CARB phase 1 compliant.

MDF- Contains Polymerized Urea-Formaldehyde resin (CAS no. 9011-05-6) 6% - 12% by weight. CARB phase 1 compliant.

MR 2.1- Construction waste management, Nienkamper blanket wraps all furniture and uses cardboard boxes for hardware.

MR 5.1- Origin, Toronto, Ontario, Canada

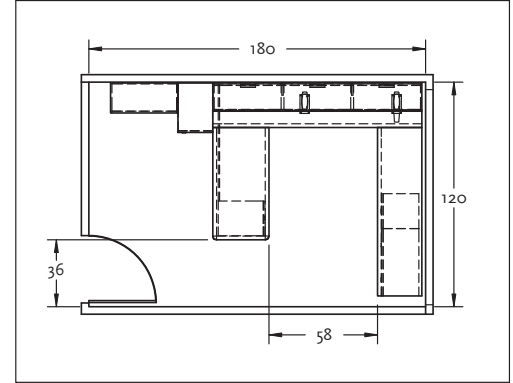
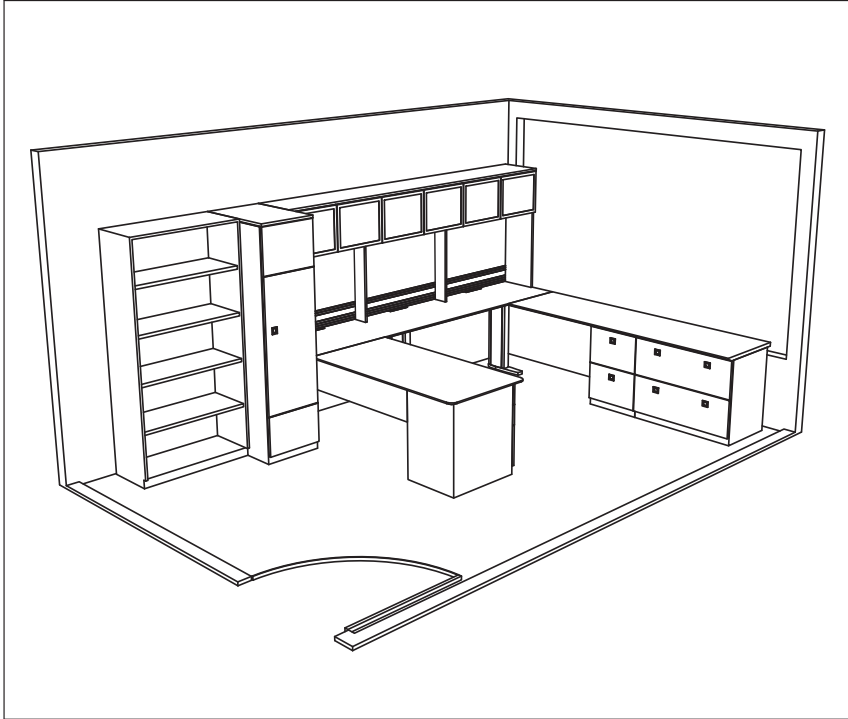
MR 6 credit- Rapidly renewable materials are available and can be used on work surfaces (i.e. bamboo).

MR 7 credit- Nienkamper is FSC (Forest Stewardship Council) Chain of Custody (code # SW-COC-003521) and Controlled Wood (code # SW-CW-003521).

*Aluminum- Nienkamper only uses 100% Pre-consumer recycled aluminum extrusions. (Recycled in Ontario, Canada)

V05.26.09

Vox® Office™ Typical D- 10' x 15' room



PRODUCT DESCRIPTION	MODEL #
RETURN, 90" X 23 3/4"	70111
36"W FF FIXED PED	70217
18 5/8"W FF FIXED PED	70205
36"W X 73"H OPEN CLOSET (SHALLOW)	70510
WORKSURFACE 111 3/4" X 23 3/4"	70047
LEG, FIXED PANELS	70001
LEG, FIXED PANELS	70003
WORKWALL, W/O STORAGE, TACK PANEL AND ACCESSORY RAIL	70760
PRO. TABLE FIXED 60"W X 30"D- BBF	70273
PERSONAL CLOSET	70551

Possible LEED credits – Commercial Interiors

Materials (extracted/harvested origin)											MR 4.1, 4.2	MR 6	MR 7	EQ 4.5	
Total Weight	MDF (Alberta, Canada)	Particle board (Quebec, Canada)	Virgin Wood (source varies)	Plywood (Ontario, Canada)	Tentest	Fabric	Misc. Plastic	Glass	*Aluminum (Ontario, Canada)	Steel	Post consumer Recycled	Pre consumer Recycled	Rapidly Renewable	FSC Mixed Credit	Greenguard indoor Air Quality Certified
lbs	1259.5	821.7	271.8	7.8	6	8.3	3	4.5	18	47.1	71.4	17.9	1140.5	0	Value 100% of product cost Available on request Pending Testing
%		65.2%	21.6%	0.6%	0.5%	0.7%	0.2%	0.4%	1.4%	3.7%	5.7%	1.4%	90.6%	0%	

Urea-Formaldehyde Free- MDF and Particle board are available on request.

Particle Board- Contains Urea-Formaldehyde resin. CARB phase 1 compliant.

MDF- Contains Polymerized Urea-Formaldehyde resin (CAS no. 9011-05-6) 6% - 12% by weight. CARB phase 1 compliant.

MR 2.1- Construction waste management, Nienkamper blanket wraps all furniture and uses cardboard boxes for hardware.

MR 5.1- Origin, Toronto, Ontario, Canada

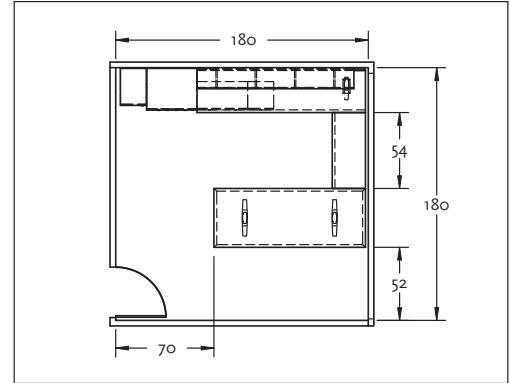
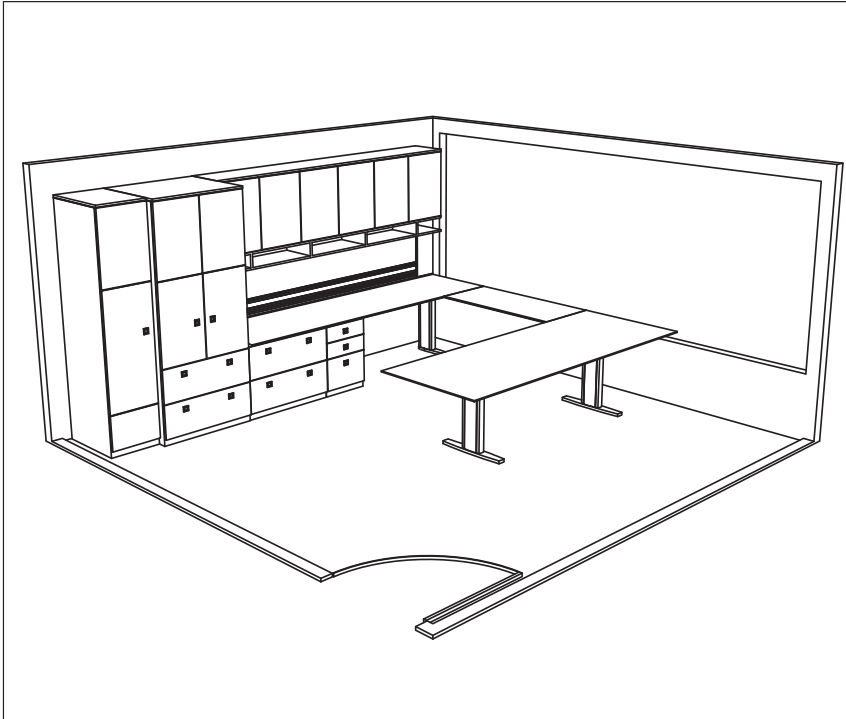
MR 6 credit- Rapidly renewable materials are available and can be used on work surfaces (i.e. bamboo).

MR 7 credit- Nienkamper is FSC (Forest Stewardship Council) Chain of Custody (code # SW-COC-003521) and Controlled Wood (code # SW-CW-003521).

***Aluminum-** Nienkamper only uses 100% Pre-consumer recycled aluminum extrusions. (Recycled in Ontario, Canada)

V05.26.09

Vox® Office™ Typical A- 15' x 15' room



PRODUCT DESCRIPTION	MODEL #
WORKTOP 120" X 30"	70056
RETURN, 54" X 23 3/4"	70081
108"W X 42"D T-LEG DESK	70997
OVERHEAD W/ STORAGE, TACK PANEL AND ACCESSORY RAIL	70472
36"W FF FIXED PED	70217
18 5/8"W BBF FIXED PED	70203
LEG, FIXED PANELS	70001
36"W DBL CLOSET 2 DOORS, 2 DRAWERS	70546
PERSONAL CLOSET	70551

Possible LEED credits – Commercial Interiors

Materials (extracted/harvested origin)											MR 4.1, 4.2	MR 6	MR 7	EQ 4.5		
	Total Weight	MDF (Alberta, Canada)	Particle board (Quebec, Canada)	Virgin Wood (source varies)	Plywood (Ontario, Canada)	Tentest	Fabric	Misc. Plastic	Glass	*Aluminum (Ontario, Canada)	Steel	Post consumer Recycled	Pre consumer Recycled	Rapidly Renewable	FSC Mixed Credit	Greenguard indoor Air Quality Certified
lbs	1467.0	944.6	360.8	17.2	6	8.3	3	4.5	0	65.6	60	15	1371	0	Value 100% of product cost Available on request	Pending Testing
%		64.3%	24.6%	1%	0.4%	0.6%	0.2%	0.3%	0%	4.5%	4.1%	1%	93.5%	0%		

Urea-Formaldehyde Free- MDF and Particle board are available on request.

Particle Board- Contains Urea-Formaldehyde resin. CARB phase 1 compliant.

MDF- Contains Polymerized Urea-Formaldehyde resin (CAS no. 9011-05-6) 6% - 12% by weight. CARB phase 1 compliant.

MR 2.1- Construction waste management, Nienkamper blanket wraps all furniture and uses cardboard boxes for hardware.

MR 5.1- Origin, Toronto, Ontario, Canada

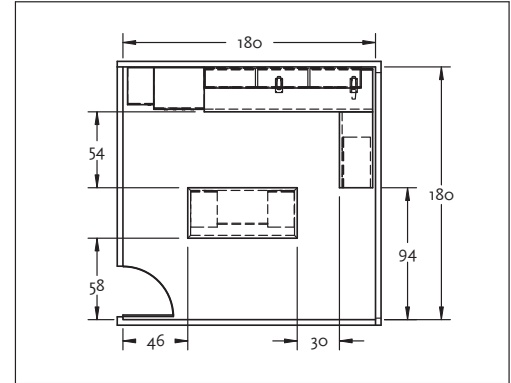
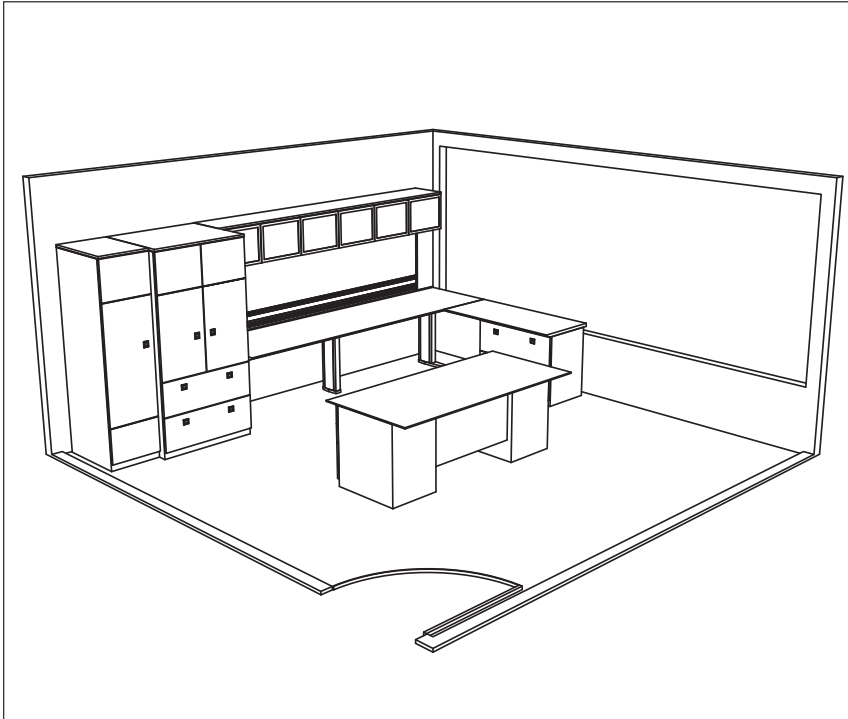
MR 6 credit- Rapidly renewable materials are available and can be used on work surfaces (i.e. bamboo).

MR 7 credit- Nienkamper is FSC (Forest Stewardship Council) Chain of Custody (code # SW-COC-003521) and Controlled Wood (code # SW-CW-003521).

***Aluminum-** Nienkamper only uses 100% Pre-consumer recycled aluminum extrusions. (Recycled in Ontario, Canada)

V05.26.09

Vox® Office™ Typical B- 15' x 15' room



PRODUCT DESCRIPTION	MODEL #
WORKTOP 120" X 30"	70056
RETURN, 54" X 23 3/4"	70081
LEG, FIXED PANELS	70001
PERSONAL CLOSET	70551
36"W FF FIXED PED	70217
GLASS OVERHEAD, TACK PANEL AND ACCESSORY RAIL	70420
LEG, FIXED PANELS	70003
PEDESTAL DESK, 78" X 36"	70232
36"W DBL CLOSET 2 DOORS, 2 DRAWERS	70526

Possible LEED credits – Commercial Interiors

Materials (extracted/harvested origin)												MR 4.1, 4.2	MR 6	MR 7	EQ 4.5	
	Total Weight	MDF (Alberta, Canada)	Particle board (Quebec, Canada)	Virgin Wood (source varies)	Plywood (Ontario, Canada)	Tenest	Fabric	Misc. Plastic	Glass	*Aluminum (Ontario, Canada)	Steel	Post consumer Recycled	Pre consumer Recycled	Rapidly Renewable	FSC Mixed Credit	Greenguard indoor Air Quality Certified
lbs	1464.8	946.7	338.3	12	6	8.3	3	4.5	18	49.1	79	19.7	1334.1	0		
%		64.6%	23.1%	0.8%	0.4%	0.6%	0.2%	0.3%	1.2%	3.4%	5.4%	1.4%	91.1%	0%	Value 100% of product cost Available on request	Pending Testing

Urea-Formaldehyde Free- MDF and Particle board are available on request.

Particle Board- Contains Urea-Formaldehyde resin. CARB phase 1 compliant.

MDF- Contains Polymerized Urea-Formaldehyde resin (CAS no. 9011-05-6) 6% - 12% by weight. CARB phase 1 compliant.

MR 2.1- Construction waste management, Nienkämper blanket wraps all furniture and uses cardboard boxes for hardware.

MR 5.1- Origin, Toronto, Ontario, Canada

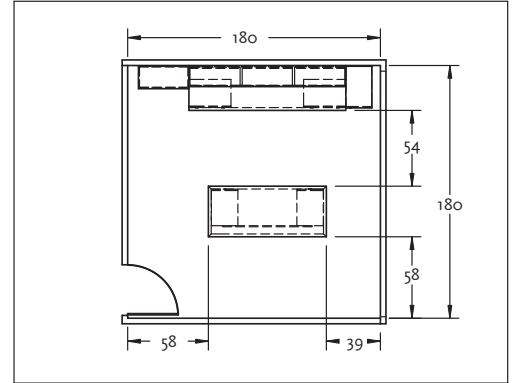
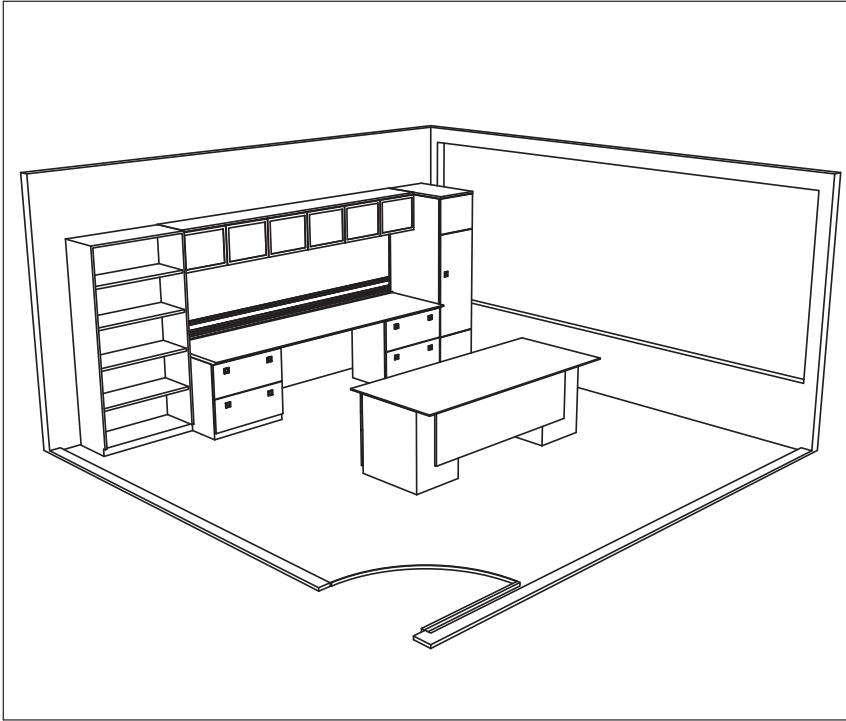
MR 6 credit- Rapidly renewable materials are available and can be used on work surfaces (i.e. bamboo).

MR 7 credit- Nienkämper is FSC (Forest Stewardship Council) Chain of Custody (code # SW-COC-003521) and Controlled Wood (code # SW-CW-003521).

*Aluminum- Nienkämper only uses 100% Pre-consumer recycled aluminum extrusions. (Recycled in Ontario, Canada)

V05.26.09

Vox® Office™ Typical C- 15' x 15' room



PRODUCT DESCRIPTION	MODEL #
WORKTOP 111 3/4" X 30"	70049
PERSONAL CLOSET	70552
GLASS OVERHEAD, TACK PANEL AND ACCESSORY RAIL	70420
36"W X 73"H OPEN CLOSET (SHALLOW)	70510
36"W FF FIXED PED	70213
PEDESTAL DESK, 84" X 36"	70223

Possible LEED credits – Commercial Interiors

Materials (extracted/harvested origin)												MR 4.1, 4.2	MR 6	MR 7	EQ 4.5	
	Total Weight	MDF (Alberta, Canada)	Particle board (Quebec, Canada)	Virgin Wood (source varies)	Plywood (Ontario, Canada)	Tentest	Fabric	Misc. Plastic	Glass	*Aluminum (Ontario, Canada)	Steel	Post consumer Recycled	Pre consumer Recycled	Rapidly Renewable	FSC Mixed Credit	Greenguard indoor Air Quality Certified
lbs	1269.2	850.1	277.8	8.5	6	8.3	3	4.5	18	32.6	60.5	15.1	1160.4	0	Value 100% of product cost Available on request	Pending Testing
%		66.9%	21.8%	0.7%	0.5%	0.7%	0.2%	0.4%	1.4%	2.6%	4.8%	1.2%	91.6%	0%		

Urea-Formaldehyde Free- MDF and Particle board are available on request.

Particle Board- Contains Urea-Formaldehyde resin. CARB phase 1 compliant.

MDF- Contains Polymerized Urea-Formaldehyde resin (CAS no. 9011-05-6) 6% - 12% by weight. CARB phase 1 compliant.

MR 2.1- Construction waste management, Nienkamper blanket wraps all furniture and uses cardboard boxes for hardware.

MR 5.1- Origin, Toronto, Ontario, Canada

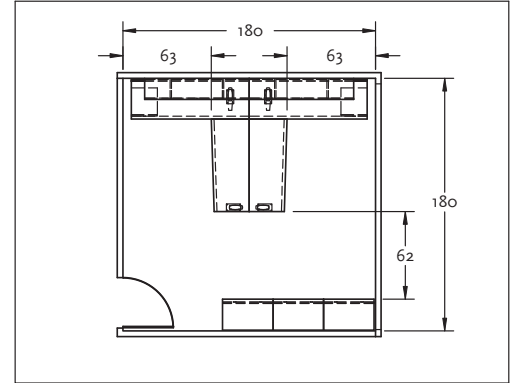
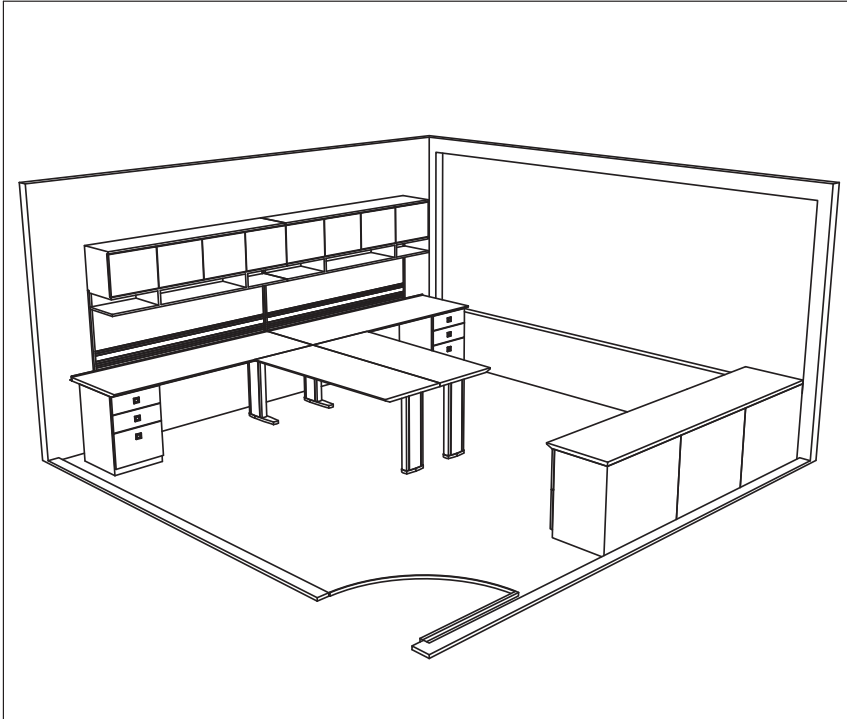
MR 6 credit- Rapidly renewable materials are available and can be used on work surfaces (i.e. bamboo).

MR 7 credit- Nienkamper is FSC (Forest Stewardship Council) Chain of Custody (code # SW-COC-003521) and Controlled Wood (code # SW-CW-003521).

***Aluminum-** Nienkamper only uses 100% Pre-consumer recycled aluminum extrusions. (Recycled in Ontario, Canada)

V05.26.09

Vox® Office™ Typical D- 15' x 15' room



PRODUCT DESCRIPTION	MODEL #
WORKTOP 84" X 27"	70025
LEG, FIXED PANELS	70001
18 5/8"W BBF FIXED PED	70203
TAPERED RETURN-L, 66 X 27-25"	70134
TAPERED RETURN-R, 66 X 27-25"	70138
LEG, FIXED PANELS	70003
OVERHEAD W/ STORAGE, TACK PANEL AND ACCESSORY RAIL	70426
36"W FF FIXED PED W/T	70218

Possible LEED credits – Commercial Interiors

Materials (extracted/harvested origin)												MR 4.1, 4.2		MR 6	MR 7	EQ 4.5
	Total Weight	MDF (Alberta, Canada)	Particle board (Quebec, Canada)	Virgin Wood (source varies)	Plywood (Ontario, Canada)	Tentest	Fabric	Misc. Plastic	Glass	*Aluminum (Ontario, Canada)	Steel	Post consumer Recycled	Pre consumer Recycled	Rapidly Renewable	FSC Mixed Credit	Greenguard indoor Air Quality Certified
lbs	1263.4	786.8	282.5	11.8	8	11	4	6	0	60.5	92.8	23.2	1192.8	0	Value 100% of product cost Available on request	Pending Testing
%		62.3%	22.4%	0.9%	0.6%	0.9%	0.3%	0.5%	0%	4.8%	7.3%	1.8%	89.4%	0%		

Urea-Formaldehyde Free- MDF and Particle board are available on request.

Particle Board- Contains Urea-Formaldehyde resin. CARB phase 1 compliant.

MDF- Contains Polymerized Urea-Formaldehyde resin (CAS no. 9011-05-6) 6% - 12% by weight. CARB phase 1 compliant.

MR 2.1- Construction waste management, Nienkamper blanket wraps all furniture and uses cardboard boxes for hardware.

MR 5.1- Origin, Toronto, Ontario, Canada

MR 6 credit- Rapidly renewable materials are available and can be used on work surfaces (i.e. bamboo).

MR 7 credit- Nienkamper is FSC (Forest Stewardship Council) Chain of Custody (code # SW-COC-003521) and Controlled Wood (code # SW-CW-003521).

***Aluminum-** Nienkamper only uses 100% Pre-consumer recycled aluminum extrusions. (Recycled in Ontario, Canada)

V05.26.09

Product Profile – Custom project table

Possible LEED credits – Commercial Interiors

		Materials (extracted/harvested origin)							MR 4.1, 4.2		MR 7		
		Total Weight	MDF (Alberta, Canada)			Virgin Wood (source varies)		Steel (Varies)	*Aluminum (Ontario, Canada)	Post consumer Recycled	Pre consumer Recycled	Total wood	FSC Mixed Credit
30" dia x 42"H cruciform base	lbs	57	24			1		32		8	24	25	Value 100% of product cost Available on request
	%		42%			2%		56%		14%	42%	46%	

Urea-Formaldehyde Free- MDF and Particle board are available on request.

Particle Board- Contains Urea-Formaldehyde resin. CARB phase 1 compliant.

MDF- Contains Polymerized Urea-Formaldehyde resin (CAS no. 9011-05-6) 6% - 12% by weight. CARB phase 1 compliant.

MR 2.1- Construction waste management, Nienkamper blanket wraps all furniture and uses cardboard boxes for hardware.

MR 5.1- Origin, Toronto, Ontario, Canada

MR 6 credit- Rapidly renewable materials are available and can be used on work surfaces (i.e. bamboo).

MR 7 credit- Nienkamper is FSC (Forest Stewardship Council) Chain of Custody (code # SW-COC-003521) and Controlled Wood (code #).

***Aluminum-** Nienkamper only uses 100% Pre-consumer recycled aluminum extrusions. (Recycled in Ontario, Canada)

V12.03.10

Product Profile – Vox Cruciom project table



Possible LEED credits – Commercial Interiors

		Materials (extracted/harvested origin)							MR 4.1, 4.2		MR 7		
		Total Weight	MDF (Sault ste Marie ON, Canada)	Virgin Wood (source varies)	Misc Plastic (source varies)			Steel (Varies)	*Aluminum (Ontario, Canada)	Post consumer Recycled	Pre consumer Recycled	Virgin wood	FSC Mixed Credit
38" dia x 29"H cruciform 70317 laminated top	lbs	65	39	1	1			7	17	1.8	56	1	Value 100% of product cost Available on request
	%		60%	1.5%	1.5%			10.8%	26.2%	2.7%	86.2%	1.5%	

Urea-Formaldehyde Free- MDF and Particle board are available on request.

Particle Board- Contains Urea-Formaldehyde resin. CARB phase 1 compliant.

MDF- Contains Polymerized Urea-Formaldehyde resin (CAS no. 9011-05-6) 6% - 12% by weight. CARB phase 1 compliant.

MR 2.1- Construction waste management, Nienkämper blanket wraps all furniture and uses cardboard boxes for hardware.

MR 5.1- Origin, Toronto, Ontario, Canada

MR 6 credit- Rapidly renewable materials are available and can be used on work surfaces (i.e. bamboo).

MR 7 credit- Nienkämper is FSC (Forest Stewardship Council) Chain of Custody (code # SW-COC-003521) and Controlled Wood (code #).

***Aluminum-** Nienkämper only uses 100% Pre-consumer recycled aluminum extrusions. (Recycled in Ontario, Canada)

V12.02.14