

GATEWAY HEIGHT ADJUSTABLE MEDIA WALL


INSTALLATION GUIDE


SUGGESTED MINIMUM CREW: 2
APPROXIMATE INSTALL TIME: 2-3 HRS

TOOLS REQUIRED:

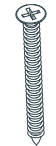
#4 Hex Key
 Philips Screwdriver/Bit
 Drill


HARDWARE:

 1/4"-20 x 7/8"
 Joiner Bolt-
 hex drive

 1/4"-20 x 9/16"
 Joiner Bolt-
 hex drive

Slide Grommet

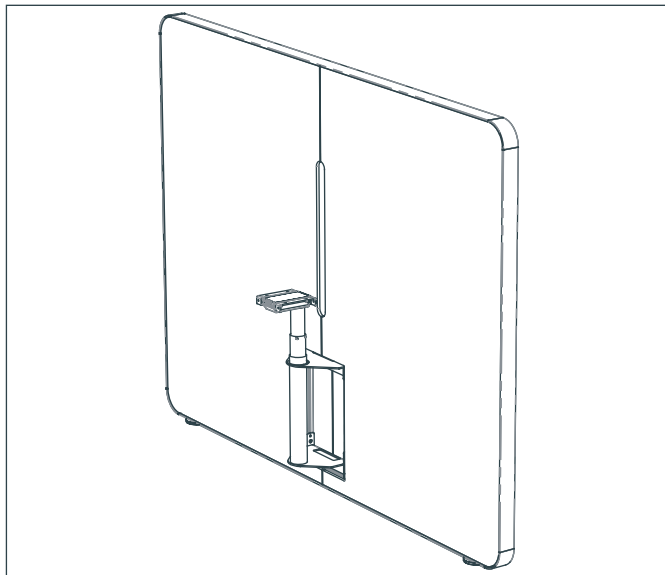
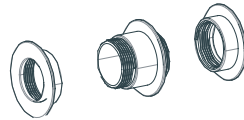
 #8 x 1 3/4" FH
 Wood Screw-
 Philips drive

 #6 x 1" PH Wood
 Screw- Philips
 drive

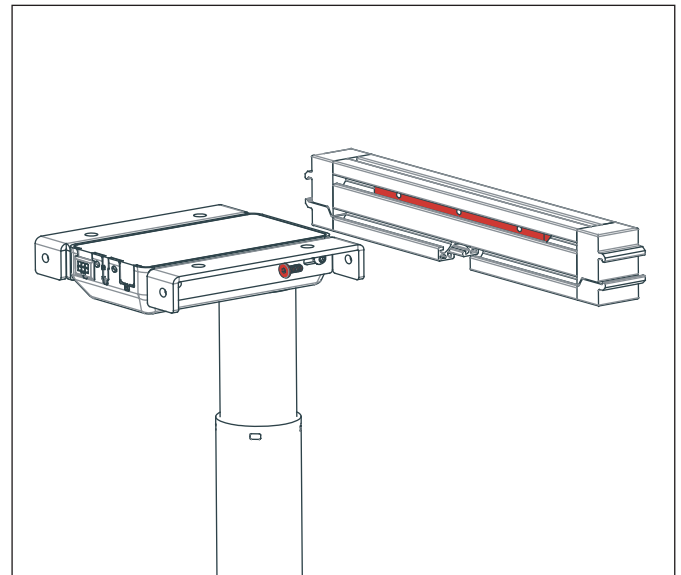


Panel Clip

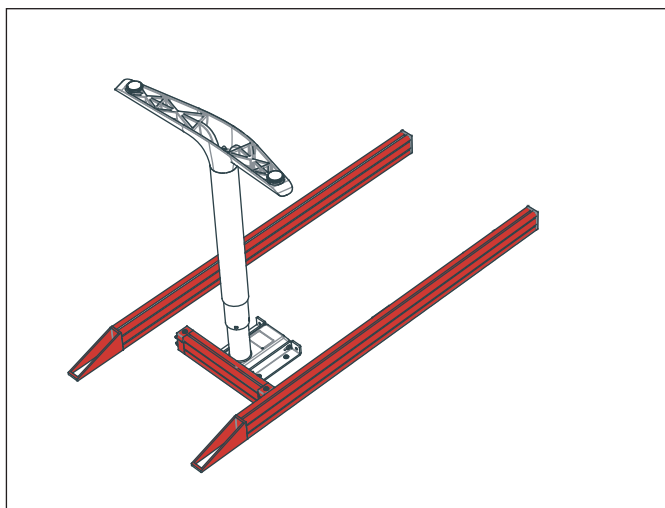
 Blue Limiter
 Dongle



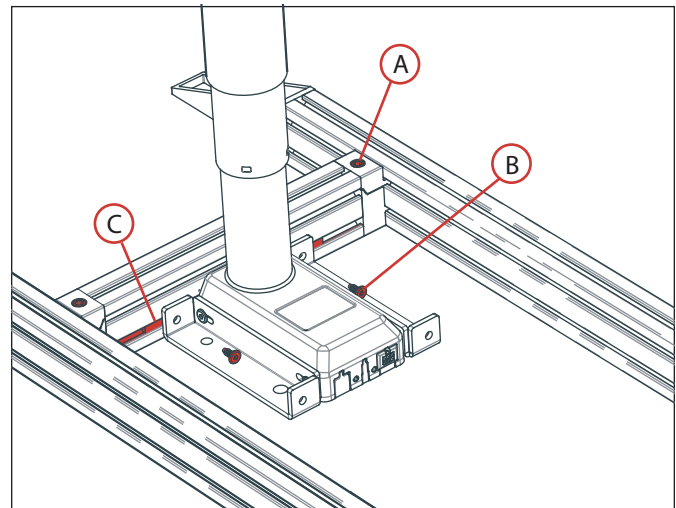
Gateway Height Adjustable Media Wall will arrive on site with front panel, decorative trim, levelers and height adjustable column pre-installed. Packing material and wrap must be removed prior to assembly.



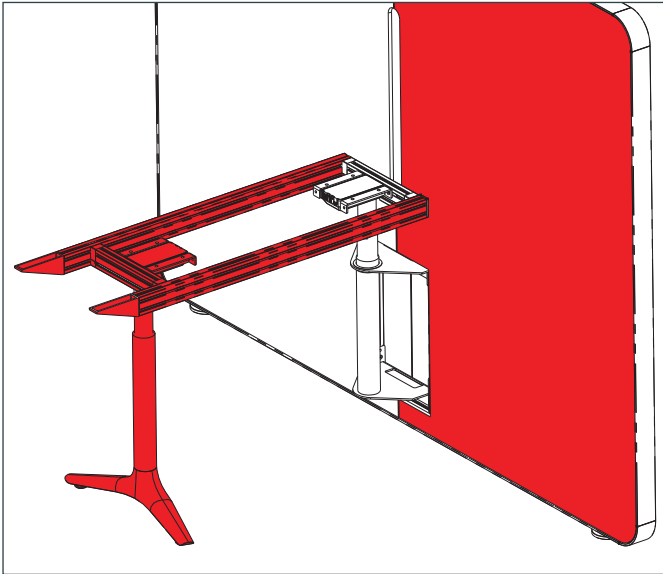
Secure the cross beam to leg by bolting 1/4" -20 x 9/16" joiner bolt (B) to pre-installed t-slot nut (C) in beam.



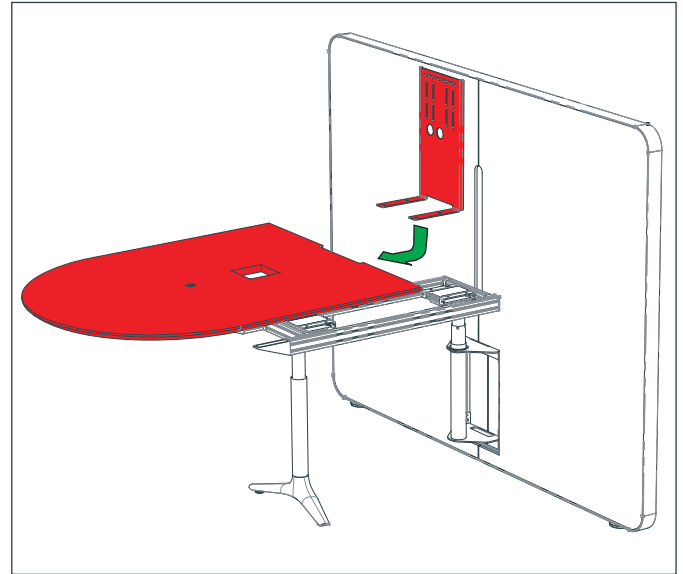
Set rails into place with cross rail against front of base and centered.



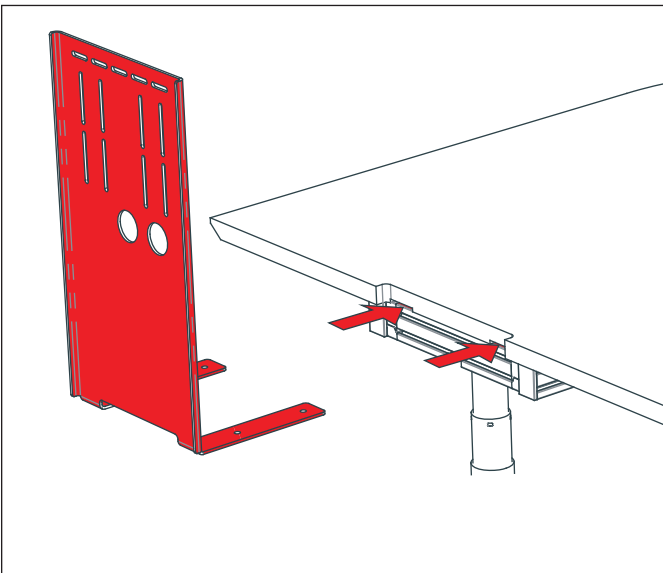
To lock Gripper fitting (A) use Hex Key. Secure the cross beam to leg by bolting 1/4" -20 x 9/16" joiner bolt (B) to pre-installed t-slot nut (C) in beam.



Rotate rail / leg structure into position and secure to Media Wall mounted leg by sliding Gripper into rails. Lock Gripper fittings (A) using Hex Key.

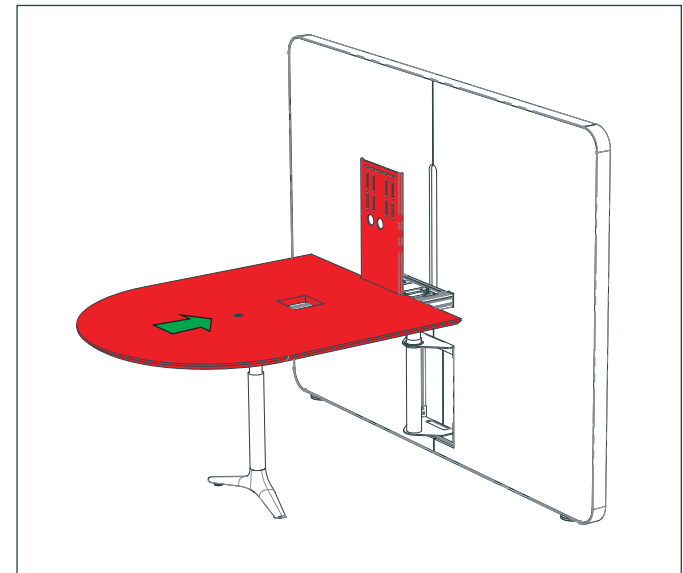


Set top in place making sure that it is pulled far enough away from Media Wall to allow TV bracket legs to pass top.

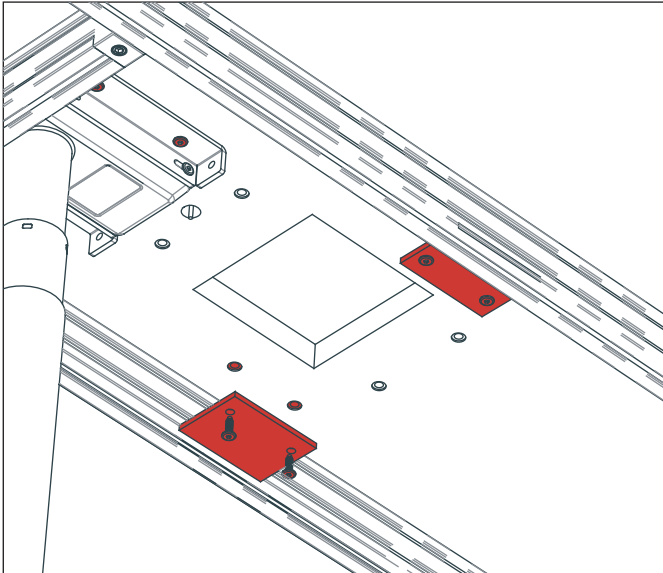


Slide TV bracket into slots at end of table. Loosen the joiner bolts holding the base to the top if the fit is tight. Once the bracket is in place, fasten using 1/4"-20 x 7/8" joiner bolt (x4).

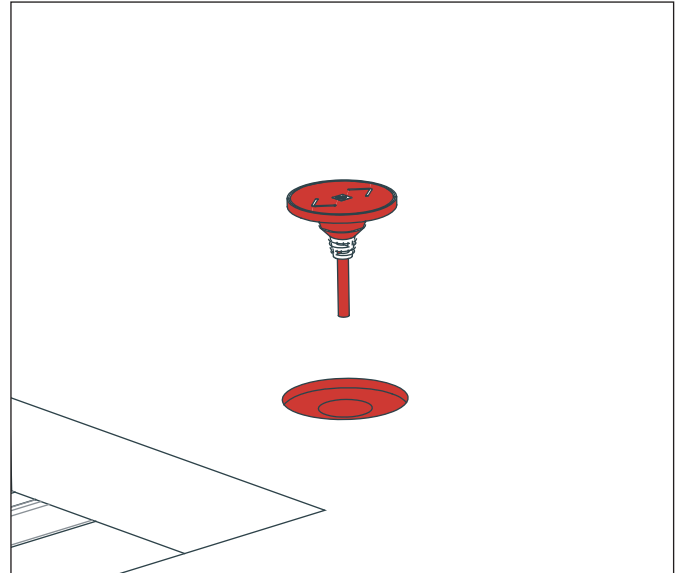
Note: This TV bracket provides a mounting point for a customer supplied, TV wall mount bracket. Install TV and wall mount as per manufacturer instruction.



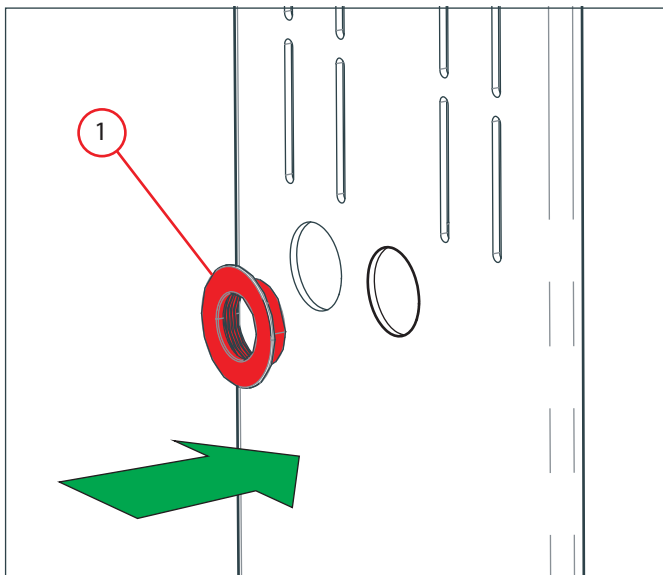
Slide top and TV bracket into final position.



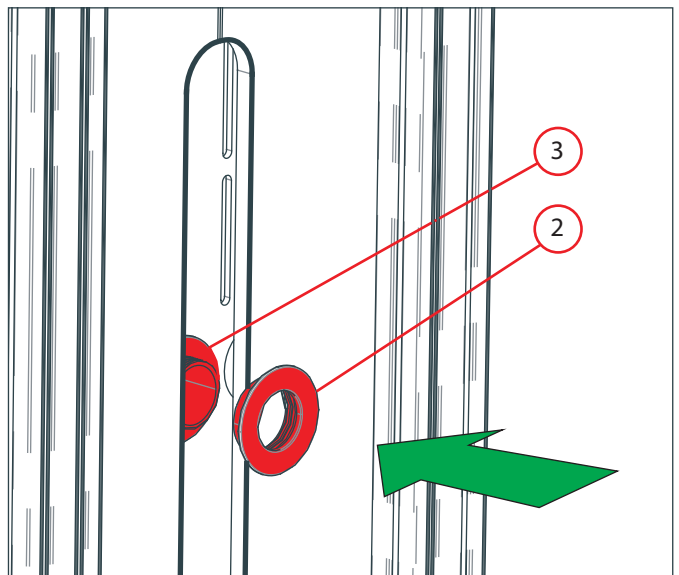
Secure top with rail brackets (x2) and 1/4"-20 x 7/8" joiner bolts (x4). Leg brackets are held with 1/4-20 x 7/8" joiner bolts (x4 per leg). If your order includes a desktop power unit install as per instructions shipped with device.



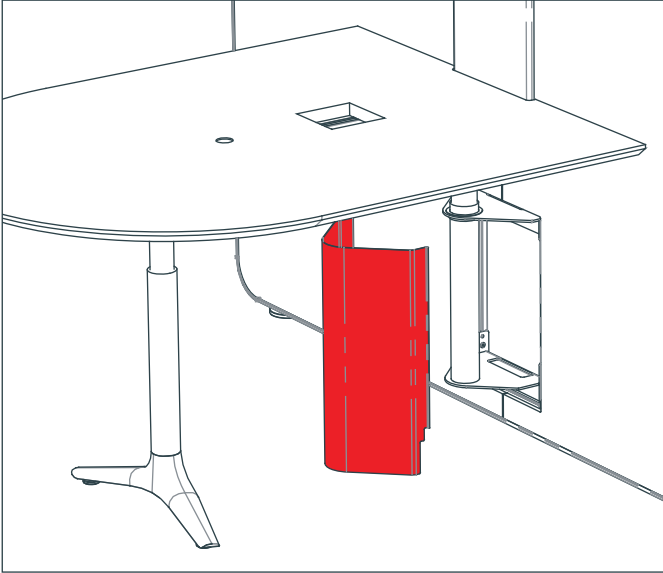
Feed Recessed Switch plug and cable down through hole in top and fit in place. Do not press fully into place until the lift system is powered on and you can be sure the up arrow is facing in the correct position towards TV bracket.



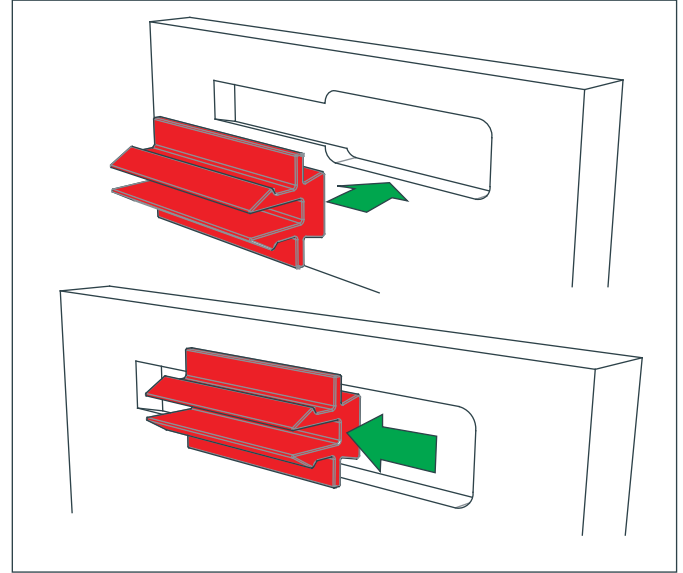
Install Slide Grommet by inserting end cap with flange #1 into through hole closest to center of the TV bracket.



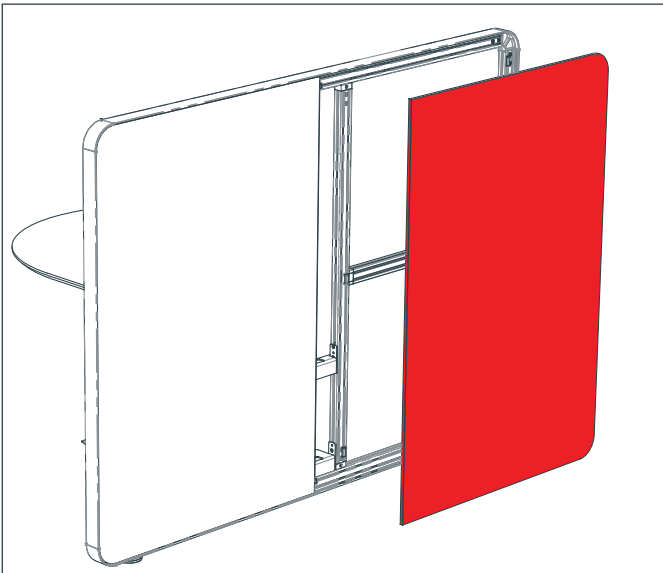
Hold end cap with flange #1 in position from front. From rear of Media Wall, insert threaded body (#3) through decorative panel slot and thread into place with end cap #1. Thread end cap #2 into body enabling the flange to hold to inside of decorative panel.



To install Shroud, compress the outside shroud edges, align with opening and decompress.



Before the rear decorative panel can be snapped into place, the panel clips must be installed. To do this, align the dovetail of the clip with the wide portion of machined panel detail and slide into position. This may take a gentle tap with a mallet if the fit is tight.



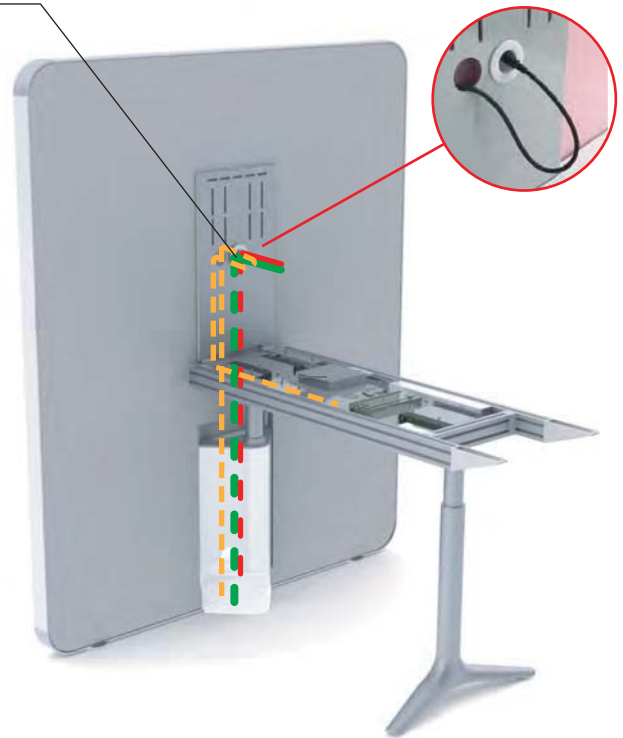
Once clips are installed and all wiring is complete, align clips with rail grooves and gently press into place. An audible snap will signify that the clips have seated. Note: the clips are designed to be semi-permanent removing an installed panel may result in clip damage.



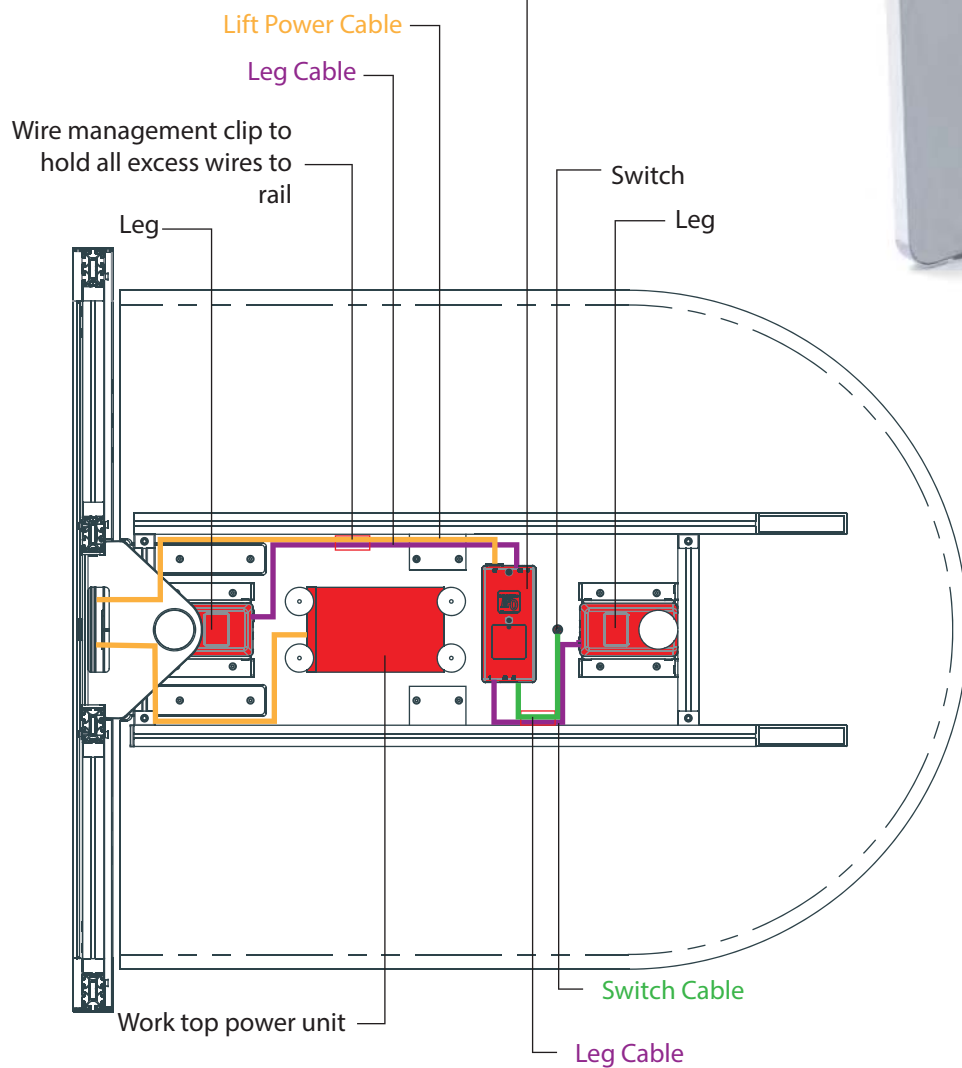
Lift Power Cable

Leg Cable

Desk top / lift power cables travel behind TV bracket and out the through hole beside slide grommet. Cables are then fed through slide grommet. TV cables pass through the slide grommet. All cables travel to floor via openings in support brackets concealed in wall.



Lift control box- mount to underside of top with #8 1 3/4" flat head wood screws



Blue Limiter Dongle



To program maximum table height:
Use the control switch to raise the table to desired height, plug the blue limiter dongle into the RJ-45 port located in the control box.

