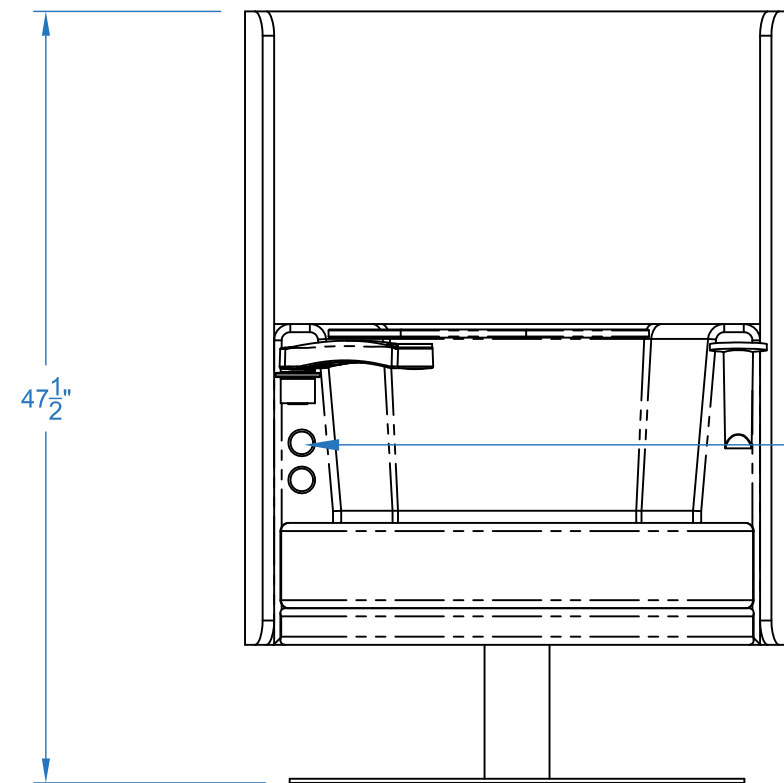
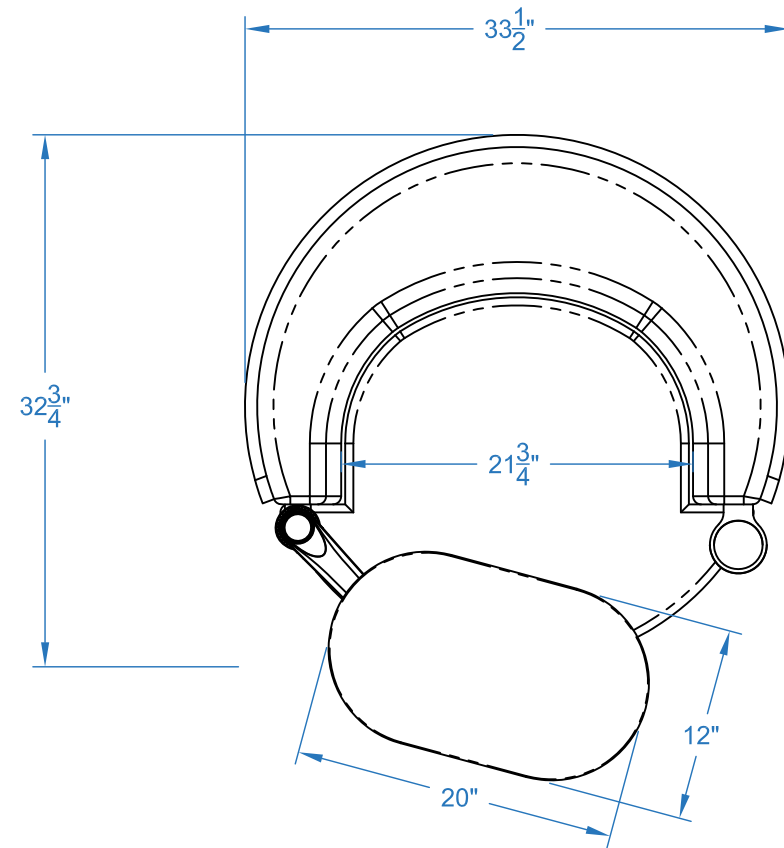
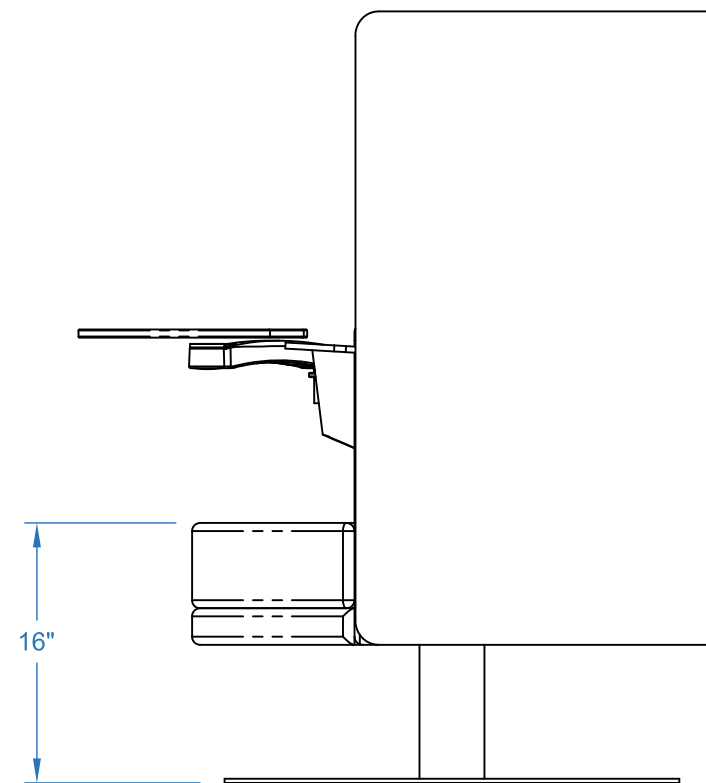
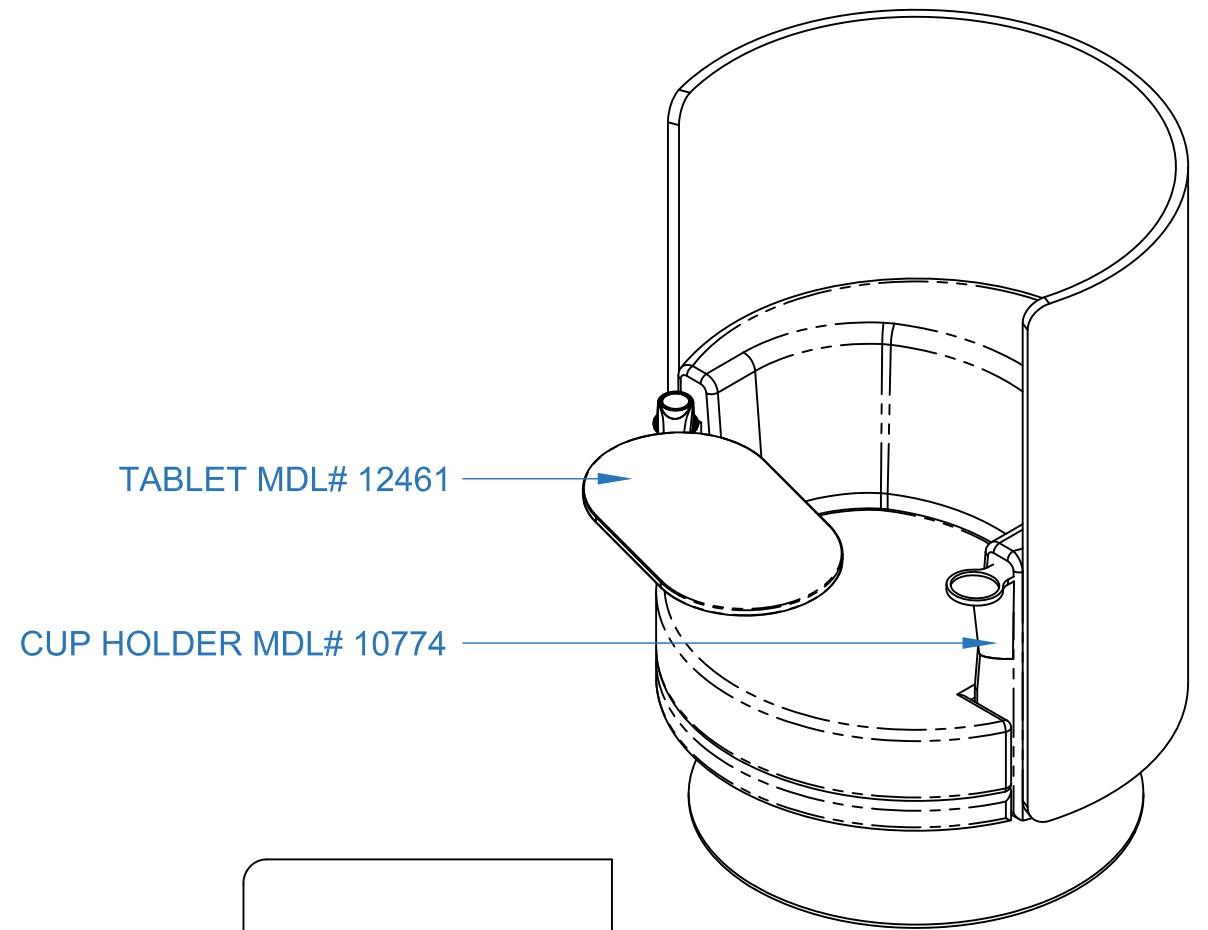


PLAN VIEW



POWER OUTLET:
STD MDL# 11864/NW
USB MDL# 11865/NW



- NOTES:
- SOME NOMINAL DIMENSIONS ARE REFLECTED IN THIS DRAWING - NOT TO BE USED FOR ENGINEERING.
 - DETAILS AND DIMENSIONS CONTAINED IN THIS DRAWING ARE NON-BINDING AND SUBJECT TO DESIGN IMPROVEMENT.
 - NIENKAMPER RESERVES THE RIGHT TO MAKE CHANGES WITHOUT NOTICE.

<p>nienkämper</p> <p>257 Finchdene Square, Scarborough, Ontario, Canada, M1X 1B9 Tel 416 298 5700 Fax 416 298 9535 www.nienkamper.com design@nienkamper.com</p>	<p>OC-Project: RADIUS COLLECTION</p>		<p>Drawing No:</p>	<p>Issue Drawing To:</p>
	<p>Title: HIGH BACK WITH DISK BASE, TABLET, CUP HOLDER, POWER MDL# 100772</p>			
	<p>Scale: 1"=1'-0"</p>	<p>Date: NOV 3, 2020</p>	<p>Revision No. R-</p>	
	<p>Drawn: DESIGN DEPT.</p>	<p>Dwg For CLIENT REVIEW / WEBSITE</p>		<p>CUST. SERVE</p>
<p>THIS DRAWING IS CONFIDENTIAL AND PROPRIETARY. NO PART OF THIS DRAWING MAY BE COPIED, DISCLOSED TO ANY THIRD PARTY OR USED FOR ANY PURPOSE WITHOUT THE EXPRESS WRITTEN AUTHORIZATION OF NIENKAMPER FURNITURE & ACCESSORIES</p>	<p>Rev Details:</p>	<p>PART #:</p>	<p>Rev Date:</p>	