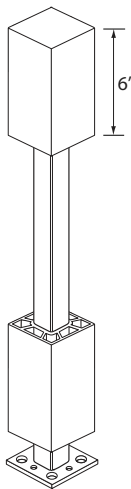


Manufactured for use with:



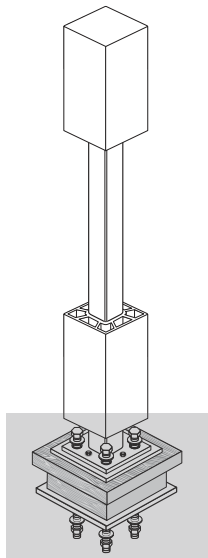
# SECURE-MOUNT POST AND DECK MOUNTING KIT

The Secure-Mount Post and Deck Mounting Kit provide a solution for installing railing posts directly onto a deck or porch surface, without the use of a 4x4 treated post. The Secure-Mount Post is designed for use on decks and concrete surfaces.



## Secure Mount Post

Includes 2 Leveling Shims for deck or concrete applications.



## Deck Mounting Kit

Includes Leveling Plate, Base Plate and Mounting Hardware.

## Important Information

- It is the responsibility of the installer to meet all code and safety requirements and to obtain required building permits.
- Plumb post with shims between the deck and secure mount post with provided shims, if necessary.
- **For RadianceRail and AZEK Rail Applications: use the twelve #10 x 2" stainless steel screws that are included with the Secure Mount Post to replace the 3" green screws for the rail to post connection.**
- For mounting to concrete, additional wedge anchors must be purchased.
- Tested to be compliant with ICC-ES AC 174

Visit [www.timbertech.com/installation](http://www.timbertech.com/installation) or [www.azek.com/installation](http://www.azek.com/installation) to view our detailed installation videos.

TIMBERTECH.COM  
AZEK.COM

**Deck Applications**

**For up to 42" x 8' Rail Applications**

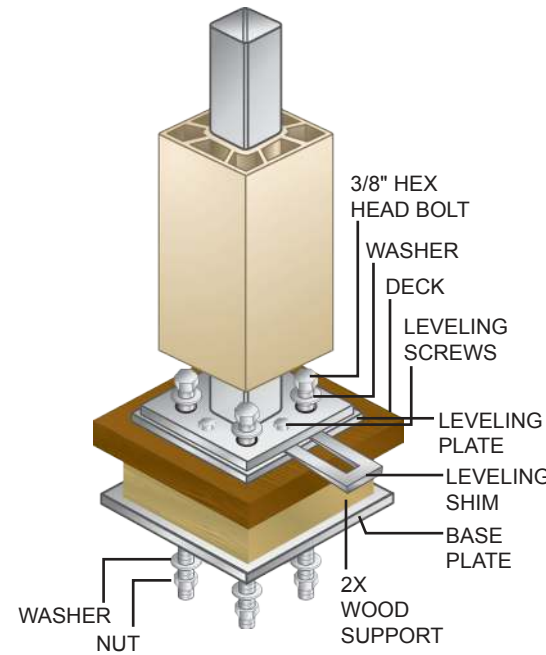
Install the Secure-Mount Post with Deck Mounting Kit that includes Leveling Plate, Base Plate, and Mounting Hardware.

Whether you are installing a 36" or 42" high railing section, the Secure-Mount Post provides the flexibility for proper attachment with its adjustable Top Mounting Block.

The Secure-Mount Post comes packaged and set for a 36" high railing application.

To use with a 42" Railing System, remove the 1-1/4" Set screw, located inside the top opening of the Top Attachment Block.

Once the set screw is removed, slide the Top Attachment Block up approximately 6" and align the bottom opening with the pre-drilled hole of the internal support post. Securely fasten the 1-1/4" set screw and you are ready for the 42" installation.

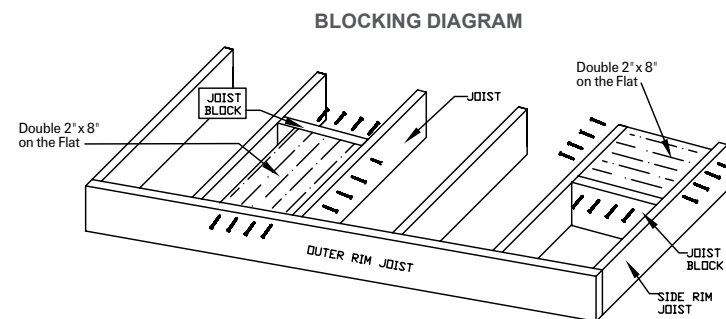


**1 Determine Post Location**

The secure-mount post should be placed at 72" on center when installing a 6' rail sections and 96" on center when installing an 8' rail section.

**2 Install Blocking**

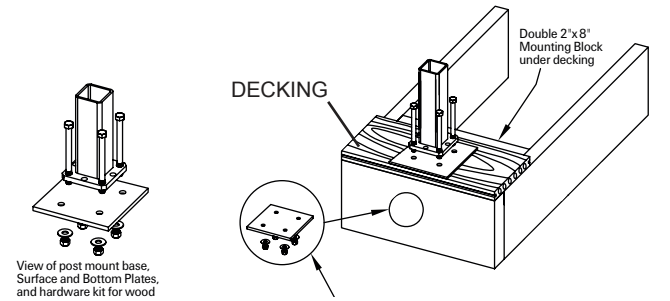
Once you have determined the layout for the Secure-Mount Posts on the deck's substructure, you will need to install blocking between the designated joists.



**3 Attach Post**

Once the TimberTech or AZEK decking has been installed and the blocking is in place, use the base plate of the Secure-Mount Post as a template and mark the four corner holes for the 3/8" x 5-1/2" Hex Head Bolts.

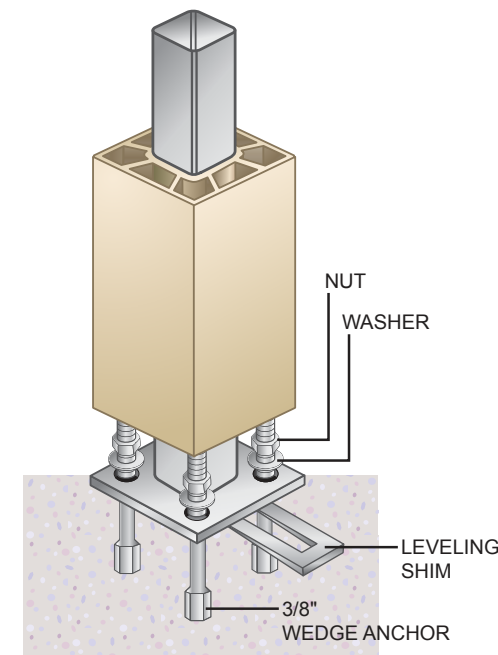
- Drill four 7/16" holes through the marked holes, drilling through the deck plank and the reinforcement blocking below.
- Align the leveling plate over the drilled holes.
- Take the Secure-Mount Post and place it on the leveling plate lining up the holes.
- Screw the 5/16" leveling set screws into the four tapped holes.
- Insert the four 3/8" x 5-1/2" bolts into the drilled 7/16" holes.
- Position the Base Plate under the deck, aligned with the bolts.
- Using the provided washers and 3/8" nuts, securely tighten all four bolts.
- If needed, adjust the leveling set screws to plumb the Secure Mount Post.
- For corner post installations, use the off-set holes of the base plate.



Once the Secure-Mount Post is securely attached, trim the Post Cover to the desired height and slide it over the post to begin rail section installation.

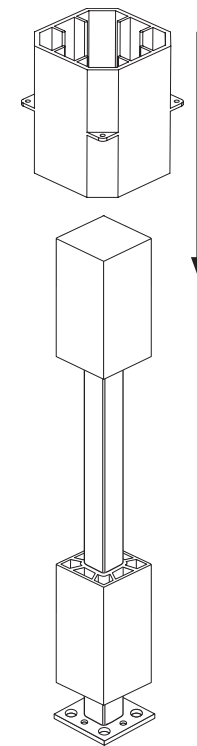
**Concrete Mount Application (hardware not included)**

- For up to 42" x 8' Rail Applications  
Install using Secure Mount Post.
- 3/8" Diameter Wedge Anchor recommended for concrete applications.



**6" Adaptor**

- Slide both 6" Adaptors over the 4" blocks on the Secure Mount Post and secure.





TimberTech  
894 Prairie Avenue • Wilmington, OH 45177  
[www.timbertech.com](http://www.timbertech.com) • 1.800.307.7780

AZEK Building Products, Inc.  
888 North Keyser Avenue • Scranton, PA 18504  
[www.AZEK.com](http://www.AZEK.com) • (877) ASK-AZEK (877) 275-2935

[TIMBERTECH.COM](http://TIMBERTECH.COM)  
[AZEK.COM](http://AZEK.COM)