

36" and 42" Heights

Instructions for Key West Drink Rail | Straight Rail



COLOR GUARD
RAILING SYSTEMS

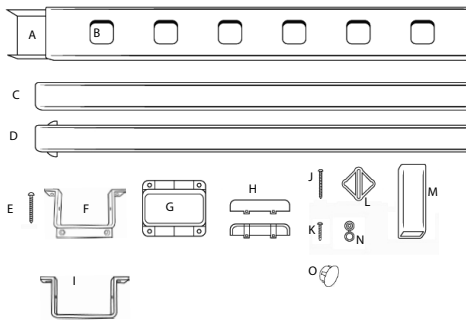
www.colorguardrailing.com

Component List:

- A) Aluminum Insert - 2
- B) Vinyl Bottom Rail - 2
- C) Baluster - count varies
- D) Locking Baluster - count varies
- E) 1-1/2" x #8 Bracket Screw - 12
- F) Top Mounting Bracket - 2
- G) Bottom Mounting Bracket - 2
- H) Bracket Covers - 4
- I) Straps - 4
- J) 1-1/2" x #8 Brace Plug Screw - 2
- K) 3/4" x #6 Self Drilling Rail Screw - 16
- L) Bottom Support Block Plug - 1
- M) Bottom Support Block - 1
- N) Hinged Screw Cap - 16
- O) Plugs - 4

Tools Required:

- Measuring tape
- Pencil
- Drill
- Phillips drive bit
- #2 Square Drive Bit
- Power miter saw
- 10" 80 tooth carbide blade
- #10 Flat head screws to secure your drink rail
- Always wear safety goggles*

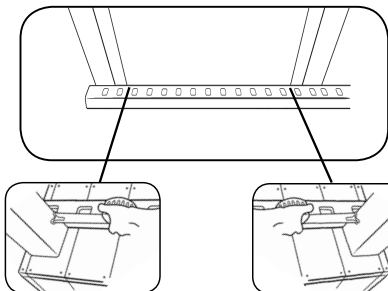


MADE IN THE USA

Installer is responsible for quality workmanship and meeting all building codes.

- **POST INSTALLATION OPTIONS FOR "OVER-THE-POST"**
Cut posts to 36 1/4" for 36" sections or 42 1/4" for 42" sections
- **POST INSTALLATION OPTIONS FOR "BETWEEN-THE-POSTS"**
Install posts to desired height

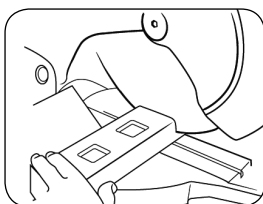
1 Measure Bottom Rail



Lay bottom rail in front of post and mark rail for proper cutting on both ends. Measure from post to edge of first routed hole, the spacing should be no less than 1 3/4". This should be done on both ends.

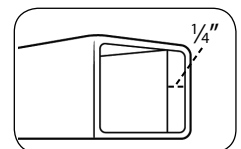
To provide adequate space for bracket. If less than 1 3/4" slide rail to left or right to remove a hole. This will allow for balusters to be centered and provide enough space for brackets.

2 Cut Bottom Rail

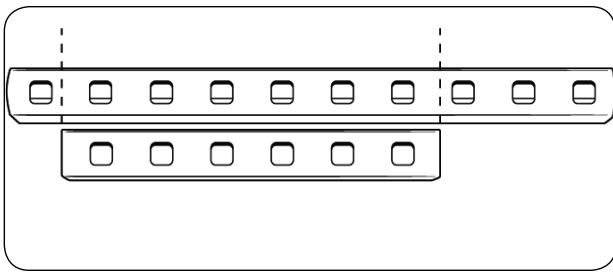


Leave aluminum in while cutting. Make first cut, then slide aluminum 1/4" in from first cut before making second cut.

ezTIP: Shortened aluminum prevents aluminum from scratching posts when installing.



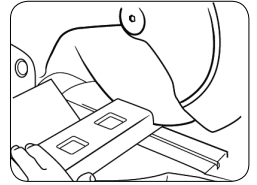
3 Cut Top Rail



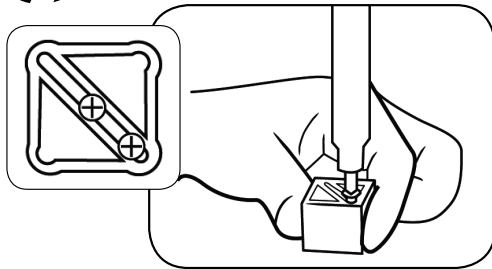
Using the bottom rail as your guide, mark the cuts of the top rail with pencil **exactly** the same as the bottom rail. This will ensure proper alignment after assembly.

Leave aluminum in while cutting. Make first cut, then slide aluminum $\frac{1}{4}$ " in from first cut before making second cut.

ezTIP: Shortened aluminum prevents aluminum from scratching posts when installing.



4 Attach Bottom Brace Plug

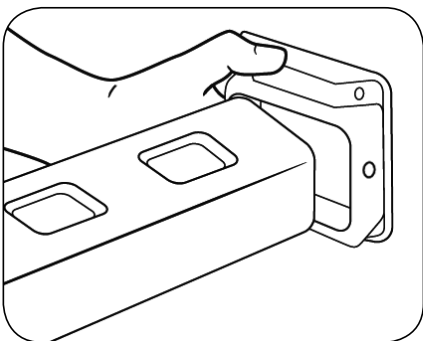


Align plug in center of bottom of the bottom rail.

Attach plug using screws provided. The head of the screw should not be driven below slotted surface of plug.

Slide the brace onto the plug prior to installation of bottom rail.

5 Attach Bottom Rail to Post & Insert Balusters



Place rail brackets on ends of bottom rail.

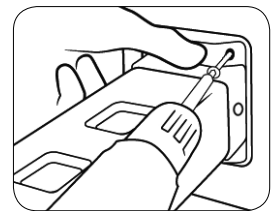
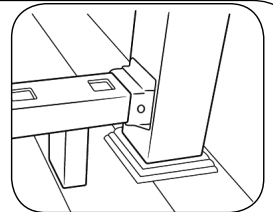
Locking balusters are to be spaced equally along the bottom rail.

Place remaining balusters in bottom rail.

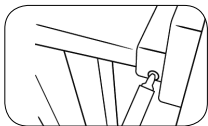
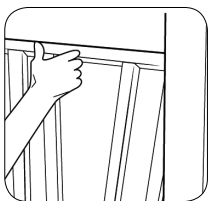
ezTIP: Cut 2 blocks (not included) the same size as the support block. This will support the bottom rail while securing to post.

Attach bracket and rail to post. Apply 4 screws per bracket.

ezTIP: Slightly offset bottom rail ($\frac{1}{16}$ ") to start securing brackets. Screws will angle into bracket and then will center as tightened.



6 Attach Top Rail to Post



Angle balusters away from you. Starting on one end, insert balusters into top rail.

Note: When installing top rail, do not lock the locking balusters until remaining balusters are all in place, then go back and lock balusters into place.

Slide rail into position. Be sure aluminum is centered to avoid scratching posts.

Place brackets on ends of top rail.

Screw brackets to post.

Place self-drilling screw through hinge cap. Insert cap and screw into side hole of bracket and secure. Make sure self-drilling screw penetrates both vinyl rail and aluminum insert.

Snap button cap until secure. Repeat on all top and bottom rail brackets.

Install bracket covers onto bottom brackets. Install plugs into top brackets. Attach straps to top rail, 24" maximum spacing. Install drink rail.

