

Installation Guidelines for Post Mount with Back Plate

Tools Required:

Pencil

Drill

Level

1/2" socket

Installation Procedure:

Note: Some applications may be anchored into cement, etc. using anchors. Please adjust the procedure as required. **Always use appropriate hardware for your application.**

See Figure 1 below for identification of components

1. Locate where post bracket will be installed
 - a. Mark four base mounting holes (corner holes) (using plate A as a template).
 - i. Thickness of wood deck and reinforcement board underneath deck should be a minimum 2-1/2". (C & B)
 - b. Drill holes to accommodate the appropriate fastener for your application
 - c. Thread 4 Hex head leveling bolts(F) into bottom of the post bracket (D)
 - d. Place 4 fasteners (E) through holes on post bracket(D), push plate(A), flooring(C) and sub-structure(B) and backing plate (G)
 - i. (wood, composite or Vinyl decks)
 - e. Loosely secure with the appropriate fasteners (for your application) Bolt (E), Washer (I) & Nut (H)
2. Check post for level
 - a. Check front to back and side to side
 - b. Adjust Hex head leveling bolts (F) accordingly to attain post level in all directions
 - c. After attaining a level post tighten your appropriate hardware. Bolt (E), Washer (I) & Nut (H) **Do not over tighten bolts**

These installation guidelines will direct you through the process of installing a Color Guard® Inc. Leveling Post. Please keep in mind they may not cover every installation scenario you may encounter. Since each installation is unique in its performance requirements, the correct installation method is the sole responsibility of the installer. Color Guard® Inc. disclaims any liability or responsibility for the improper installation of this product.

Installation Guidelines for Post Mount with Back Plate

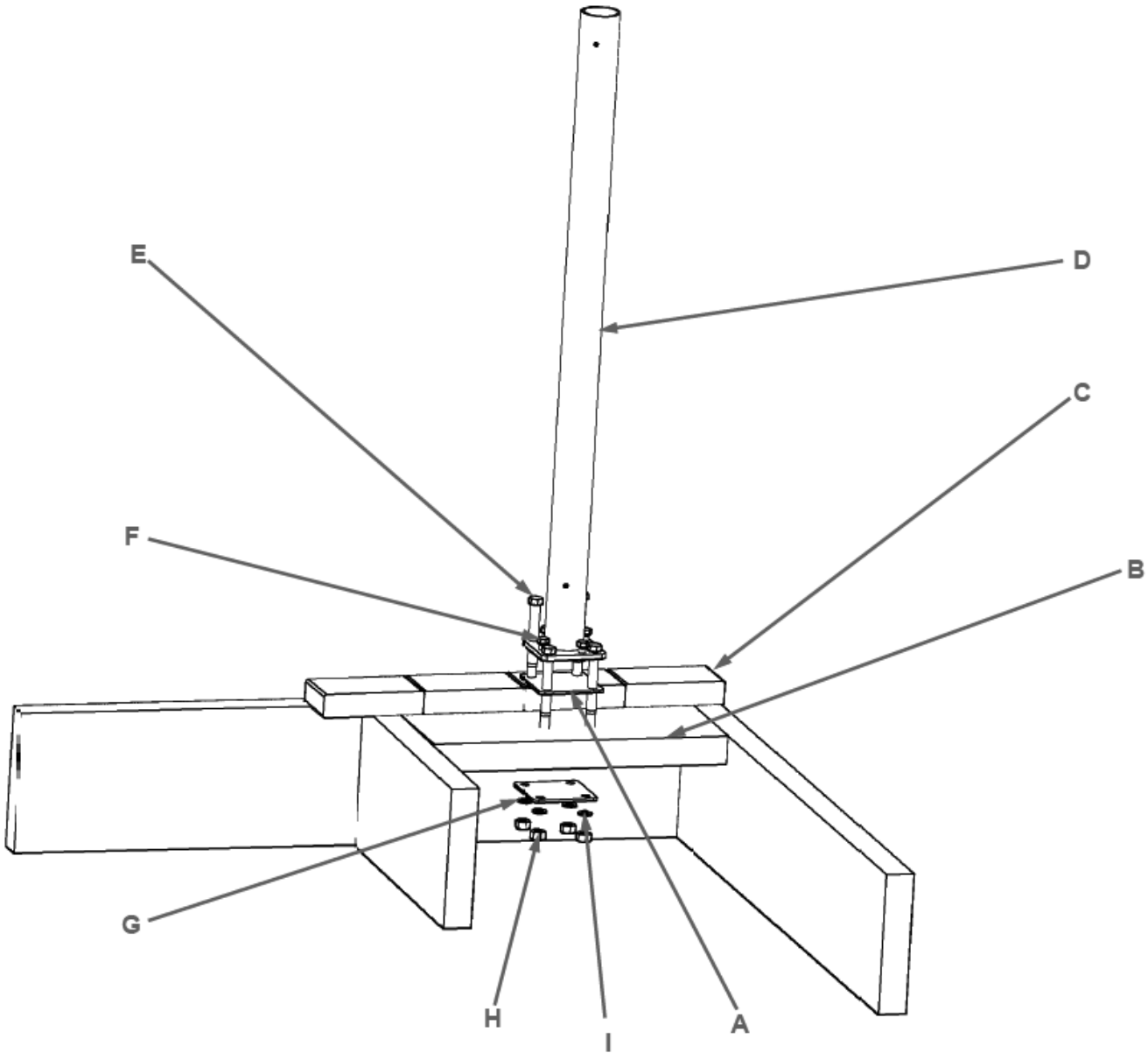


Figure 1

LIMITED LIFETIME WARRANTY