

3M™ DBI-SALA® Hoist Systems are designed for manhole and confined space entry/retrieval applications.

These units are constructed of lightweight materials including high-strength aluminium. The davit pivots for ease-of-rescue and has adjustment for overhead clearance restrictions. The lower base adjusts to fit most standard entries. Many other portable and fixed bases are available to suit any jobsite need. Weight capacity 205 kg.

Applications

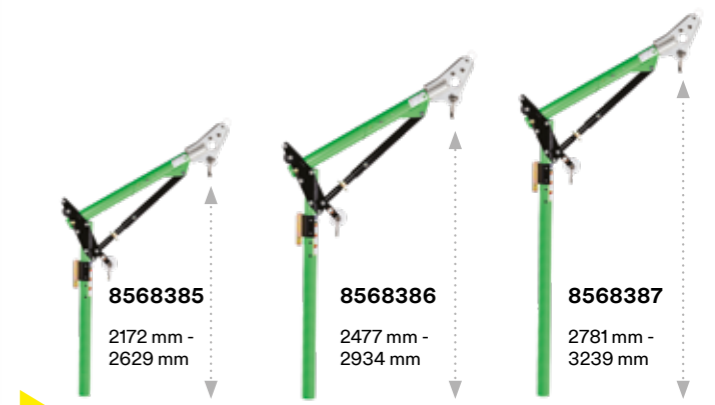


3M™ DBI-SALA® Adjustable Offset Mast *Short



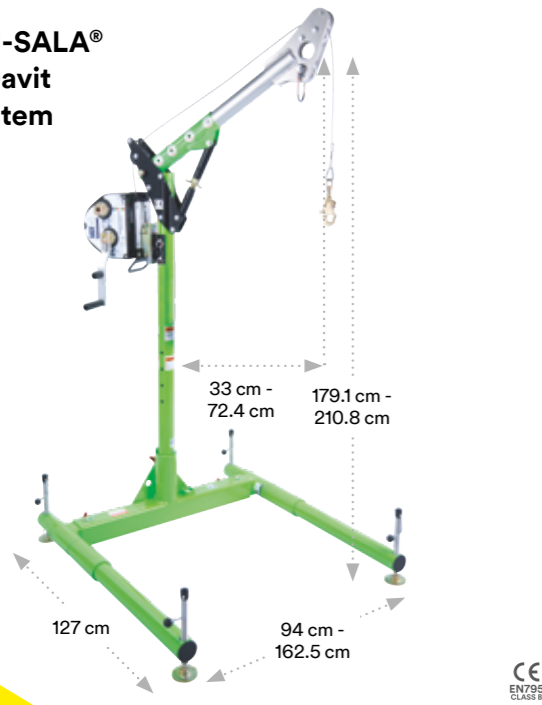
Model	Dimensions	Weight (kg)
8568382	1880 mm - 2261 mm	14.06
8568383	2172 mm - 2540 mm	15.40
8568384	2502 mm - 2870 mm	15.40

Adjustable Offset Mast *Long



Model	Dimensions	Weight (kg)
8568385	2172 mm - 2629 mm	16.30
8568386	2477 mm - 2934 mm	17.70
8568387	2781 mm - 3239 mm	19.50

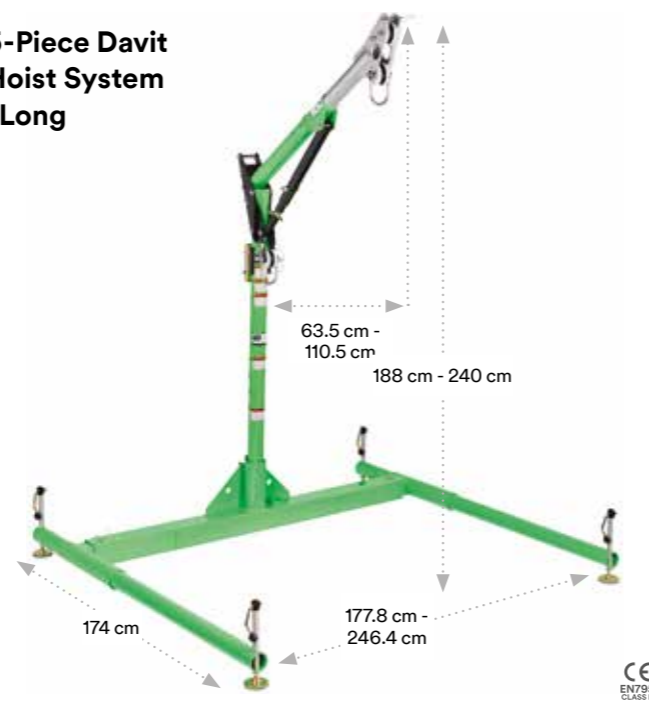
3M™ DBI-SALA® 5 Piece Davit Hoist System *Short



Model	Configuration	Weight (kg)
8568000	S	45.00

Includes short offset adjustable upper mast (8568001), 83.8 cm lightweight lower mast (8568002) and 3-piece lightweight base (8568005). Includes winch mounting bracket. Order winch and SRL separately.

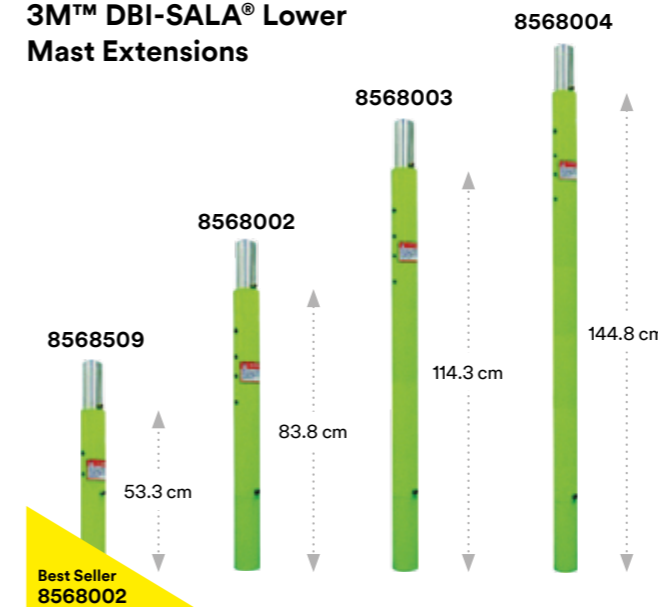
5-Piece Davit Hoist System *Long



Model	Configuration	Weight (kg)
8568040	L	60.00

Includes long offset adjustable upper mast (8568006), 33" (838 mm) lightweight lower mast (8568002), and 3-piece lightweight base (8568008). Includes winch mount brackets. Order winch and SRL separately.

3M™ DBI-SALA® Lower Mast Extensions



Model	Length (cm)	Weight (kg)
8568509	53.3	3.80
8568002	83.8	8.20
8568003	114.3	9.50
8568004	144.8	10.90

Working length lower mast/extensions for use only with 3M™ DBI-SALA® Hoist System, meeting limitation of use of upper masts.

3M™ DBI-SALA® Adjustable Offset Upper Masts



Model	Dimensions	Weight (kg)
8568001	29.2 cm - 69.8 cm	10.00
8568006	59.7 cm - 108 cm	12.00

Masts come standard with one set of winch mount brackets to accommodate a DBI-SALA® winch or SRL. Additional brackets are available.