



# JDN LOW HEAD-ROOM TROLLEYS

# JDN LOW HEADROOM TROLLEYS

## THE TROLLEY SOLUTION FOR RESTRICTED HEADROOM AREAS. CAPACITIES: 0.5 T UP TO 6.3 T

Where headroom is restricted and standard trolleys can't meet the lifting height requirements we recommend **JDN Low Headroom Trolleys** whereby our air hoists are mounted horizontally. When only very low headroom is available we recommend JDN Ultra-Low Monorail Hoist design.

### STANDARD FEATURES

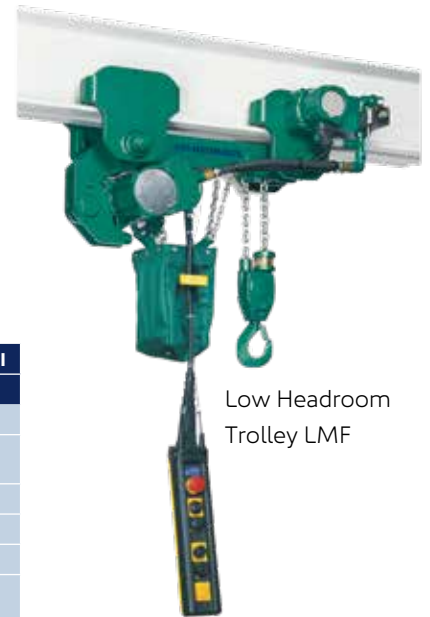
- Small number of maintenance/wear free moving parts
- No additional motor lubrication required
- 2-step travelling speed
- Adjustable trolley widths to suit your requirements

### SPECIAL FEATURES

- Able to negotiate curves
- Extended trolley tie bars for bulky or elongated loads

## TECHNICAL DATA

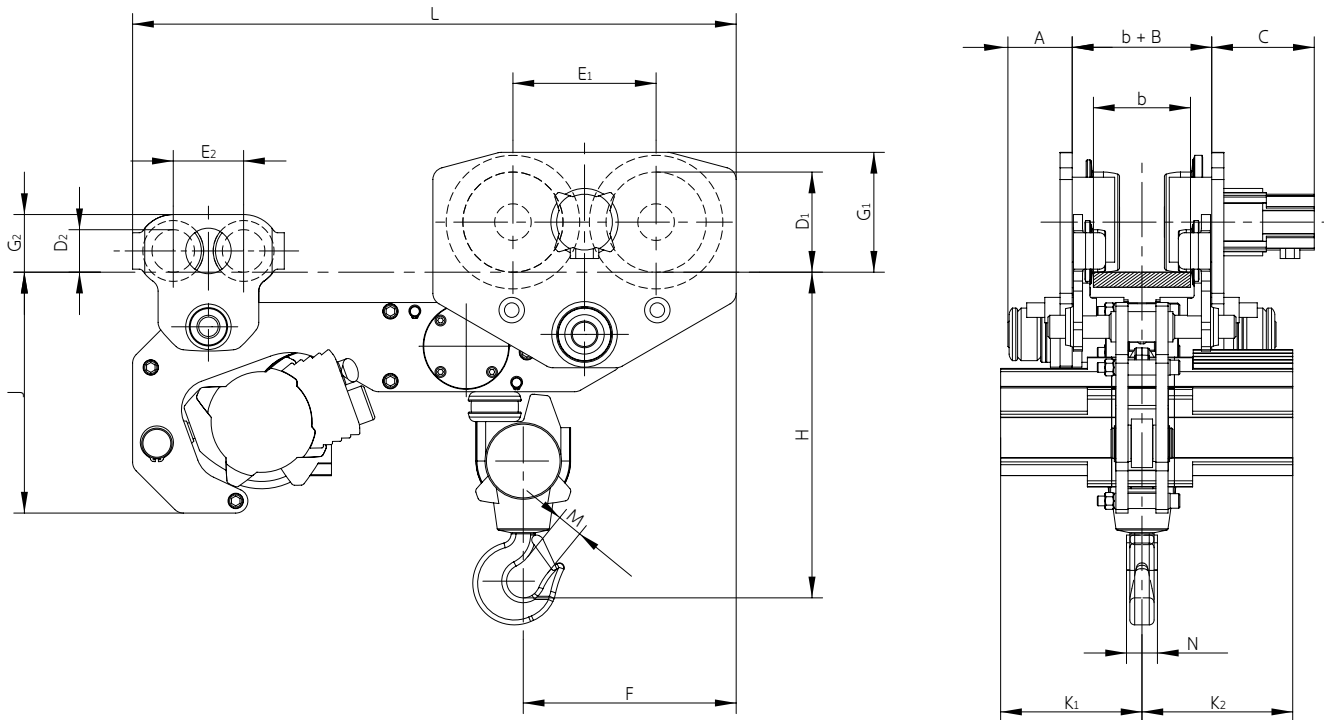
Hoist Type		PROFI 05 TI	PROFI 1 TI	PROFI 2 TI	PROFI 3 TI	PROFI 6 TI
Trolley Type		LMF 05-2 t	LMF 05-2 t	LMF 05-2 t	LMF 3.2 t	LMF 6.3 t
Capacity	mt	0.5	1	2	3.2	6.3
Air pressure	psi bar	87 6	87 6	87 6	87 6	87 6
Number of chain strands		1	1	2	1	2
Motor output Hoist	kW	1	1	1	3.5	3.5
Motor output Trolley	kW	0.2	0.2	0.2	0.2	0.2
Lifting speed at full load	ft/min m/min	32.81 10	16.40 5	8.20 2.5	14.76 4.5	7.21 2.2
Lifting speed without load	ft/min m/min	55.77 17	32.81 10	16.40 5	29.52 9	14.76 4.5
Lowering speed at full load	ft/min m/min	55.77 17	36.09 11	18.04 5.5	35.43 10.8	17.72 5.4
Travelling speed at full load	ft/min m/min	29.53*/45.93 9*/14	29.53*/45.93 9*/14	29.53*/45.93 9*/14	29.53*/45.93 9*/14	29.53*/45.93 9*/14
Air consumption at full load – lifting	cfm m <sup>3</sup> /min	42.38 1.2	42.38 1.2	42.38 1.2	141.26 4	141.26 4
Air consumption at full load – lowering	cfm m <sup>3</sup> /min	52.97 1.5	52.97 1.5	52.97 1.5	194.23 5.5	194.23 5.5
Air consumption trolley motor	cfm m <sup>3</sup> /min	21.19 0.6	21.19 0.6	21.19 0.6	21.19 0.6	21.19 0.6
Air connection		G ½	G ½	G ½	G ¾	G ¾
Hose dimension (Ø inside)	inch mm	½ 13	½ 13	½ 13	¾ 19	¾ 19
Weight with standard lift and control	lbs kg	216.05 98	218.26 99	231.59 105	462.97 210	727.53 330
Chain dimension	inch mm	0.28 x 0.83 7 x 21	0.28 x 0.83 7 x 21	0.28 x 0.83 7 x 21	0.51 x 1.42 13 x 36	0.51 x 1.42 13 x 36
Weight of chain	lbs/ft kg/m	0.67 1	0.67 1	0.67 1	2.6 3.8	2.6 3.8
Standard lift	ft m	10 3	10 3	10 3	10 3	10 3
Length of control at standard lift	ft m	6.5 2	6.5 2	6.5 2	6.5 2	6.5 2
Max. bottom flange thickness t	inch mm	0.98 25	0.98 25	0.98 25	1.38 35	1.38 35
Max. bottom flange width b	inch mm	12.20 310	12.20 310	12.20 310	12.20 310	12.20 310
Min. bottom flange width b	inch mm	3.15 80	3.15 80	3.15 80	4.92 125	4.92 125
Noise level at full load <sup>1</sup> – lifting	dB(A)	75	76	76	78	78
Noise level at full load <sup>1</sup> – lowering	dB(A)	78	78	78	80	80



Low Headroom Trolley LMF

\*1st step at F-control with 2-step travelling speed, <sup>1</sup>Measured at 1 m distance acc. to DIN 45635 part 20

# JDN LOW HEADROOM TROLLEYS



## DIMENSIONS

Hoist Type		PROFI 05 TI	PROFI 1 TI	PROFI 2 TI	PROFI 3 TI	PROFI 6 TI
Trolley Type		LMF 05-2 t	LMF 05-2 t	LMF 05-2 t	LMF 3.2 t	LMF 6.3 t
A max.	inch mm	4.13 105	4.13 105	4.13 105	4.13 105	4.17 106
B	inch mm	1.42 36	1.42 36	1.42 36	1.42 36	2.76 70
b min.	inch mm	3.15 80	3.15 80	3.15 80	4.72 120	4.92 125
C	inch mm	6.46 164	6.46 164	6.46 164	6.46 164	6.65 169
D <sub>1</sub>	inch mm	2.76 70	2.76 70	2.76 70	2.76 70	6.50 165
D <sub>2</sub>	inch mm	2.76 70	2.76 70	2.76 70	2.76 70	2.76 70
E <sub>1</sub>	inch mm	4.57 116	4.57 116	4.57 116	4.57 116	9.29 236
E <sub>2</sub>	inch mm	4.57 116	4.57 116	4.57 116	4.57 116	4.57 116
F	inch mm	6.77 172	6.77 172	7.68 195	8.98 228	13.82 351
G <sub>1</sub>	inch mm	3.74 95	3.74 95	3.74 95	3.74 95	7.76 197
G <sub>2</sub>	inch mm	3.74 95	3.74 95	3.74 95	3.74 95	3.74 95
H min.	inch mm	13.98 355	13.98 355	16.89 429	16.34 415	21.14 537
J	inch mm	12.60 320	12.60 320	12.60 320	15.63 397	15.63 397
K <sub>1</sub>	inch mm	5.71 145	5.71 145	5.71 145	9.17 233	9.17 233
K <sub>2</sub>	inch mm	5.98 152	5.98 152	5.98 152	9.76 248	9.76 248
L	inch mm	28.15 715	28.15 715	28.15 715	32.48 825	39.17 995
M	inch mm	1.10 28	1.10 28	1.10 28	1.18 30	1.57 40
N	inch mm	1.65 42	1.65 42	1.65 42	1.65 42	2.01 51
t max.	inch mm	0.98 25	0.98 25	0.98 25	1.38 35	1.38 35