

H Series single sided



H36PVNI

MONTIGO[®]
the art of **fireplaces**

Redefine Your Home Experience

Enjoy the expanded sense of space and the comfort of a unique modern fireplace. With hundreds of traditional and contemporary options to fit your style, the Montigo H Series is truly the most versatile suite in the industry

Versatility

With dozens of possible configurations, the H Series fireplace can become the centerpiece of any space.

Burner Technology

A flame viewing experience unlike any other. Multiple burner and burner media options are available to achieve that perfect ambience.

Our Guarantee

Rest assured our uncompromising quality and long-term reliability is backed by our limited 10-year warranty.



HW38DFNI-2



HW38DFNI-2 Wildfire shown with porcelain panels



HL38DFNI



HW42DFNI-2



H34DFNI shown with river rock kit



HLB34DFNI-2



H38DFNI

Burners and Accessories



H34 Traditional Burner



H38 Traditional Burner



H42 Traditional Burner



HLB34 Linear Burner



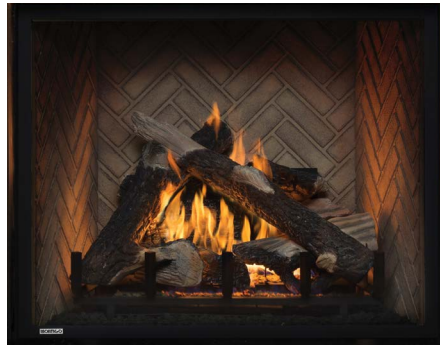
HL38 Linear Burner



HL42 Linear Burner



HW38 Wildfire Burner



H36PV Traditional Burner



HW42 Wildfire Burner



HLB34-2 Linear Burner



H34 Traditional Burner (with river rock kit)

	H*34DF	HLB34DF-2	H*38DF †	H*42DF †	H36PV
Traditional	✓	N/A	✓	✓	✓
Linear	✓	✓	✓	✓	N/A
Wildfire	N/A	N/A	✓	✓	N/A
River Rock Kit	~	N/A	~	~	N/A
Remote	~	✓	~†	~†	~
Fans	~	✓	~	~	N/A

The * in the model number denotes burner type:

- HL, HLB - Linear Burner (IE: HL38DF)
- HW - Wildfire Burner (IE: HW38DF)

~ Denotes optional but not standard

† Remote Control standard on HW Models with electronic ignition

H*34 electronic ignition units come standard with SIT Proflame 2 BASIC system (HLB34-2 comes with SIT Proflame 2 system)

Burner Media Accessories Firestones, Fireglass and Firebeads



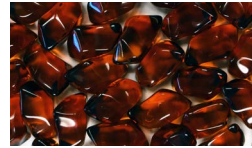
Glacier HW1219B



Alabaster HW1260



Onyx HW1259



Amber HW1261



Sage HW1082



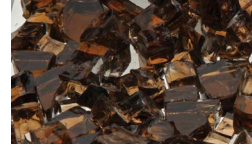
Ice HW1157



Platinum HW1144



Obsidian HW1113



Copper HW1143



Coatal HW1262



Quartz HW1106



Frost HW1112



Ebony HW1091

Burner Media Accessories Rocks & Stones



Grey (RR20GREY)



Charcoal (RR20BLA)



Beige (RR20BEIG)

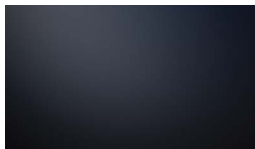


Speckled Stones RR***SS



River Rock Kit RBHR**R

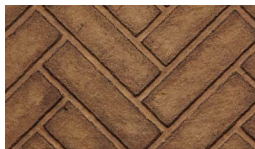
Liner Options



Black Satin



Porcelain (Black)



Herring Bone



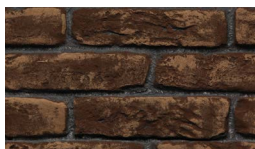
Heritage (Brown)



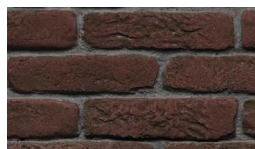
Black Glass



Colonial (White)



Rustic (Brown)

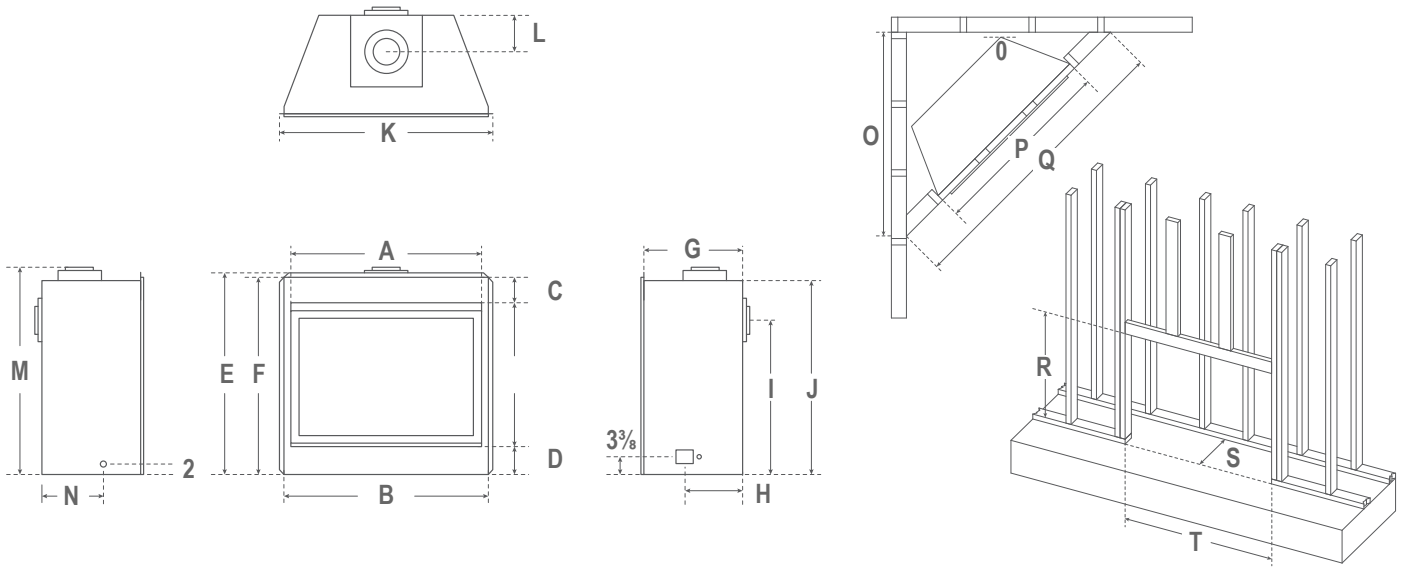


Rustic (Red)

	H34DF	HLB34DF	HLB34DF-2	H38DF	H42DF	HW38DF	HW42DF	H36PV
Satin (Black)	✓	N/A	✓	✓	✓	N/A	N/A	N/A
Colonial (White)	~	~	N/A	~	~	N/A	N/A	N/A
Rustic (Red)	~	N/A	N/A	N/A	N/A	N/A	N/A	N/A
Porcelain (Black)	N/A	N/A	N/A	N/A	N/A	~	N/A	N/A
Herring Bone	~	N/A	N/A	~	~	✓	✓	✓
Heritage (Brown)	~	N/A	N/A	~	~	N/A	N/A	N/A
Rustic (Brown)	~	N/A	N/A	N/A	N/A	N/A	N/A	N/A
Black Glass	N/A	~	✓	~	~	N/A	~	N/A

✓ Denotes standard refractory/panel
 ~ Denotes optional but not standard

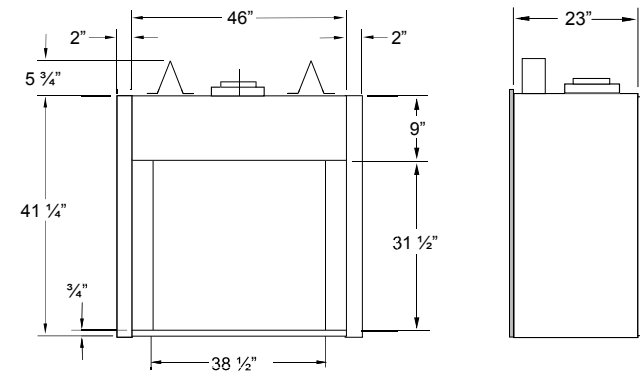
H*34, H*38, H*42 Single Sided Specifications



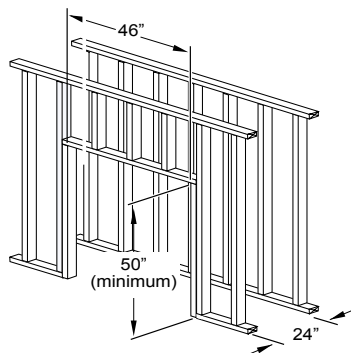
	A	B	C	D	E	F	G	H	I	J	K	L	M	N	O	P	Q	R	S	T
H34	31 $\frac{3}{8}$ "	33 $\frac{3}{8}$ "	5 $\frac{1}{2}$ "	5 $\frac{1}{4}$ "	33 $\frac{1}{2}$ "	31 $\frac{1}{16}$ "	17 $\frac{1}{8}$ "	11 $\frac{13}{16}$ "	25 $\frac{11}{16}$ "	33"	35 $\frac{3}{8}$ "	7 $\frac{7}{16}$ "	35 $\frac{1}{8}$ "	11 $\frac{13}{16}$ "	40"	33 $\frac{3}{8}$ "	56 $\frac{1}{4}$ "	39"	20"	33 $\frac{3}{8}$ "
H38	35 $\frac{3}{16}$ "	37 $\frac{3}{4}$ "	4 $\frac{13}{16}$ "	5 $\frac{1}{4}$ "	37 $\frac{3}{16}$ "	37 $\frac{1}{2}$ "	18 $\frac{1}{4}$ "	10 $\frac{3}{4}$ "	28 $\frac{1}{2}$ "	35 $\frac{3}{8}$ "	39 $\frac{1}{16}$ "	6 $\frac{5}{16}$ "	38 $\frac{5}{16}$ "	11 $\frac{1}{16}$ "	43 $\frac{7}{8}$ "	37 $\frac{3}{4}$ "	62"	42"	21 $\frac{1}{8}$ "	37 $\frac{3}{4}$ "
H42	39 $\frac{7}{16}$ "	42"	4 $\frac{13}{16}$ "	5 $\frac{1}{4}$ "	41 $\frac{1}{16}$ "	40 $\frac{1}{2}$ "	19 $\frac{13}{16}$ "	12 $\frac{13}{16}$ "	33 $\frac{3}{8}$ "	40 $\frac{1}{8}$ "	43 $\frac{3}{16}$ "	7 $\frac{3}{8}$ "	42 $\frac{7}{8}$ "	11 $\frac{3}{8}$ "	48 $\frac{1}{8}$ "	42"	68"	46 $\frac{1}{2}$ "	21 $\frac{1}{8}$ "	42"

H36PVN Single Sided Specifications

Unit Dimensions



Framing Dimensions



H36PVN is a power vent dedicated unit

BTU Listing

Unit Code	NG	LP
H34DF	18,000	18,000
HLB34DF	18,000	18,000
HLB34DF-2	18,000	18,000
H38DF	26,000	26,000
HL38DF	25,000	25,000
HW38DF	34,000	30,000
H42DF	34,000	32,000
HL42DF	34,000	32,000
HW42DF	34,000	N/A
H36PV	55,000	N/A

H Series single sided



H42DFNI

Consult the owner's manual for complete installation instructions, product dimensions and proper clearances to combustible surfaces prior to installing fireplace. All specifications, framing dimensions, product designs, materials and colors are subject to change without notice. The actual flame pattern and color may vary slightly from the illustrations. Diagrams and illustrations are not to scale. Options & accessories may have associated surcharge.

Available at:

WARNING

Some materials used in the manufacturing process of this product can expose you to Benzene which is known in the State of California to cause cancer and birth defects or other reproductive harm. For more information go to www.P65warnings.ca.gov

ARCAT
Printed in Canada

MONTIGO
the art of **fireplaces**



P/N XB2212

050619