

**AccuCast**

415 S, 21 st. STREET

WACO, TX 78706

Phone : 1-254-756-3200

Fax : 1-254-756-0200

Watts : 1-800-433-6865

DRAWN BY : DATE :

APPROVED :

REVISION :

SCALE : NOT TO SCALE

LOAD RATING  
HEAVY DUTY

MATERIAL SPECIFICATION  
ASTM A48 CL35B

COATING  
BITUMINOUS TAR COATED  
(UNCOATED ON REQUEST)

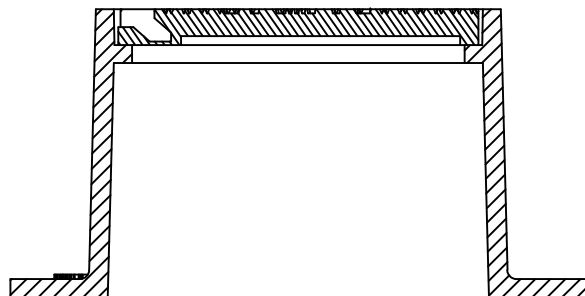
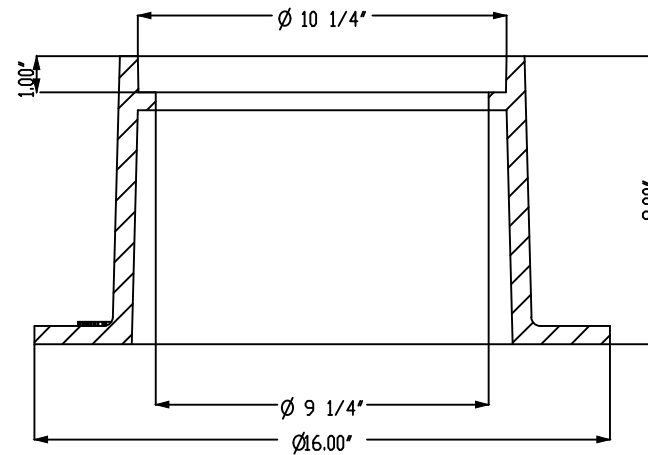
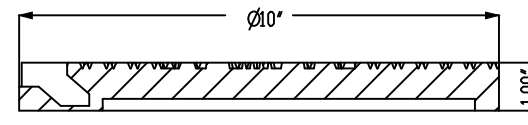
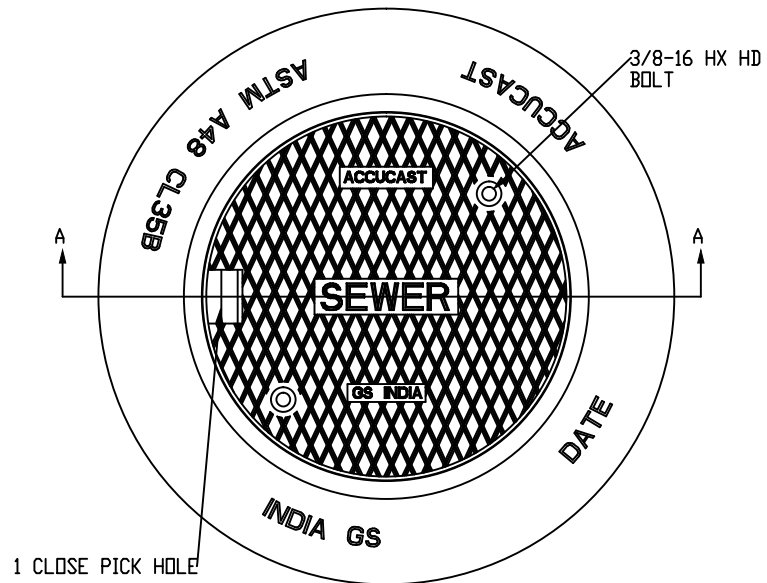
ESTIMATED WEIGHT. LBS.



PART/DWG. NUMBER

710405

CATALOG NUMBER



SECTION A-A

10" CLEANOUT SEWER BOLTED