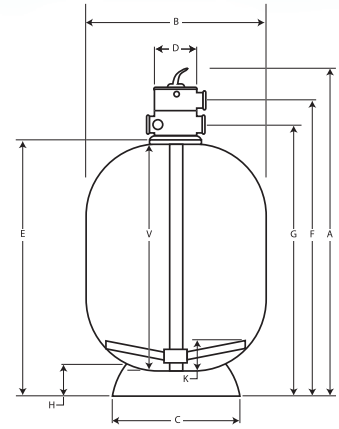


Media Filters

THERMOPLASTIC TOP MOUNT FILTERS WITH VALVES

Thermoplastic Series media filters are an economical filter option appropriate for low head pond applications. Tank is constructed with polyethylene and laterals are compatible with PermaBead™ filter media.

- 8 lateral under-drain for optimal backwashing and filtering performance.
- Supplied with 1 1/2" multiport valve.
- Maximum operating pressure: 35p.s.i.
- 2 Year tank warranty and 1 year warranty on all other components.
- Clamp Style Valve Connection



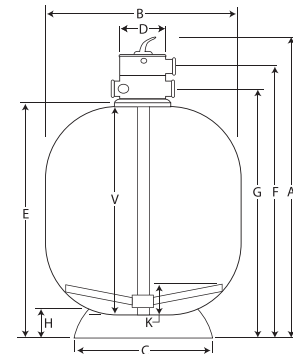
Model	A	B	C	D	E	F	G	H	V	K
T400	30.5	18.1	11	7.1	24.6	25.3	23	1.3	19	3.5
T450	33.1	19.9	11	7.1	23.4	27.9	25.6	1.2	20.9	4.4
T500	31.9	21.7	14.2	7.1	22.3	26.7	24.4	1.7	19.5	4.3
T600	33.4	25.6	17.7	7.1	23.7	28.1	25.8	2.8	21.2	4.5

Model	Model Description	Media Capacity	Area Sq. Ft.	Flow Rate (gpm) 15 - 20 gpm/ft ²	Shipping Weight
2260165A	T-400 TM Filter w/1 1/2" Valve	100 Lbs	1.41	21 - 28	23
2260185A	T-450 TM Filter w/1 1/2" Valve	150 Lbs	1.77	27 - 35	27
2260205A	T-500 TM Filter w/1 1/2" Valve	200 Lbs	2.18	32 - 43	35
2260245A	T-600 TM Filter w/1 1/2" Valve	250 Lbs	3.14	46 - 61	43

MICRON S-SERIES TOP MOUNT FILTERS WITH VALVES

S-Series top mount fiberglass filters are designed to withstand higher pressures and operational demands in commercial applications. Top mount valves minimize footprint and come with built in pressure-gauge.

- 8 lateral under-drain for optimal backwashing and filtering performance.
- Supplied with 1 1/2" or 2" multiport valve.
- Maximum operating pressure: 50p.s.i.
- 3 Year Tank Warranty and 1 year warranty on all other components.



Model	A	B	C	D	E	F	G	H	V	K
S500	34	19.9	17.5	7.1	24.6	28.8	26.5	2.7	20.7	3.7
S600	38.1	24.5	21.3	7.1	28.4	32.8	30.7	3.5	24.4	5.4
S750	47.9	30.4	24.4	8.7	34.2	40.9	36.9	3.5	30.5	5
S900	48.6	35.9	24.4	8.7	34.8	41.5	37.6	3.5	30.9	6.4

Model	Model Description	Media Capacity	Area Sq. Ft.	Flow Rate (gpm) 15 - 20 gpm/ft ²	Shipping Weight
2201204A	S500 TM 20" Filter w/1 1/2" Valve	250 Lbs	2.18	32 - 43	57
2201244A	S600 TM 24" Filter w/1 1/2" Valve	350 Lbs	3.14	46 - 61	63
2201304A	S750 TM 30" Filter w/2" Valve	450 Lbs	4.9	73 - 98	90
2201364A	S900 TM 36" Filter w/2" Valve	800 Lbs	7.1	104 - 140	120