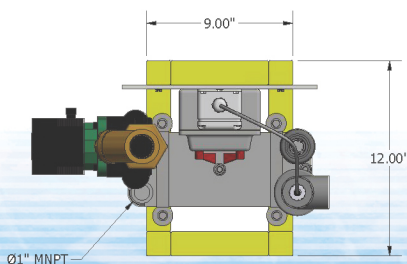


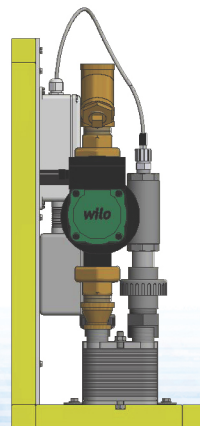
MiniPac Heat Exchanger Packages

IAS is proud to introduce the MiniPac, an engineered heat transfer system that can be customized for heating and chilling applications up to 400,000 BTUH in a 17" x 12" footprint! Plate heat exchangers have the advantage of adjustability for lower pressure drop and higher transfer area unlike fixed tube-in-shell heat exchangers. Now the advantages of plate heat exchangers can be utilized in smaller aquatic systems. MiniPac includes an EDPM gasketed Titanium or Stainless Steel Plate Heat Exchanger (PHE), digital temp controller, flow control device with balancing valve, strainer, and flow meter all pre-plumbed onto a compact skid package making these a great space saver in any application. Floor or wall mounting make it versatile and a perfect fit onto INTEGRATED™ IFS systems.

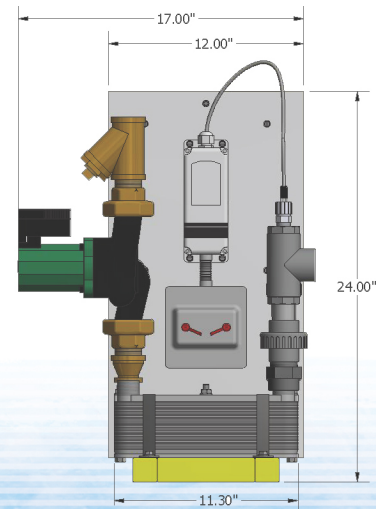
PACKAGE SPECIFICATIONS							
MODEL NUMBER	BTU OUTPUT	HOT °F	COLD °F	ΔT	ΔP	GPM	# PLATES
DHMP-1	1 000	140	78	10	< 5	< 0.5	4
DHMP-2.5	2 500			10	< 5	< 1.0	4
DHMP-5	5 000			10	< 5	< 1.20	4
DHMP-10	10 000			10	< 5	< 2.10	4
DHMP-20	20 000			10	< 5	< 4.25	6
DHMP-50	50 000			10	< 8	< 10.5	14
DHMP-100	100 000			10	< 8	< 22.5	28
DHMP-150	150 000			10	< 8	< 26.0	36
DHMP-200	200 000			12	< 8	< 35.0	48
DHMP-250	250 000			20	< 8	< 26.0	34
DHMP-300	300 000			20	< 8	< 32.0	42
DHMP-400	400 000			25	< 8	< 34.0	46



TOP VIEW



SIDE VIEW



FRONT VIEW