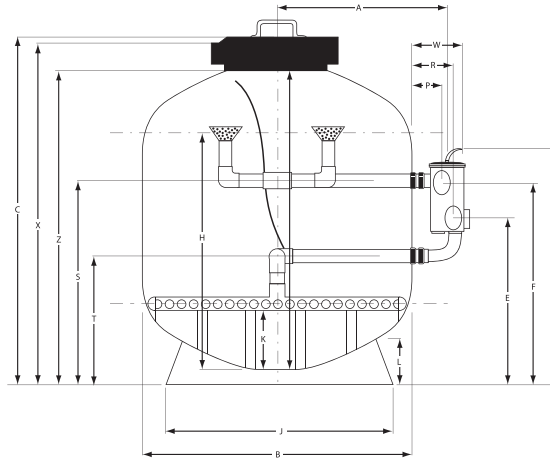


# Media Filters

## MICRON SM-SERIES SIDE MOUNT FILTERS WITH VALVES



SM-Series filters are heavy-duty media filters ideal for most applications from 30 – 140 gpm. Clear lid allows view of filter operation and comes with heavy duty external lock ring and pressure gauge.

- 8 lateral under-drain for optimal back-washing and filtering performance.
- 1 1/2" Bulk head connection for the 20" models. 2" connections for the 24", 30" & 36" models..
- Maximum operating pressure: 50 p.s.i.
- 3 Year Tank Warranty and 1 year warranty on all other components.

Model	A	B	C	W	R	P	E	F	K	V	H	L	X	Y	Z	J	S	T
SM500	18.7	20.5	33.3	12.1	9.8	6.7	19.1	21.2	3.9	25.7	23	2.8	32	26.9	29.2	17.5	19.1	11.1
SM600	20.7	24.5	35.7	12.1	9.8	6.7	20.5	22.6	4.1	27.2	23.7	3.4	34.4	28.3	31.5	19.1	20.5	12.5
SM750	24.2	30.4	38.5	13.2	10.3	7.5	21.3	25.3	4.5	30.1	25.7	3.5	37.2	31.5	34.3	24.4	21.3	13.3
SM900	27.1	36.4	42.8	13.2	10.3	7.5	23.3	27.3	4.5	33.9	29.6	3.5	41.5	33.5	38.6	24.4	23.3	15.2

Model	Model Description	Media Capacity	Area Sq. Ft.	Flow Rate (gpm) 15 - 20 gpm/ft2	Shipping Weight
220008204A	SM500 20" Filter w/ 1 1/2" Valve	210 Lbs	2.18	32 - 43	51
220058244A	SM600 24" Filter w/ 1 1/2" Valve	310 Lbs	3.14	46 - 61	66
220058244B	SM600 24" Filter w/ 2" Valve	310 Lbs	3.14	46 - 61	66
220008304A	SM750 30" Filter w/ 2" Valve	460 Lbs	4.9	73 - 98	86
220008364A	SM900 36" Filter w/ 2" Valve	790 Lbs	7.1	104 - 140	116

## SM-SERIES SIDE MOUNT FILTERS WITHOUT VALVES

Model	Model Description	Media Capacity	Area Sq. Ft.	Flow Rate (gpm) 15 - 20 gpm/ft2	Shipping Weight
220008204	SM500 20" Filter w/o Valve	210 Lbs	2.18	32 - 43	45
220058244	SM600 24" Filter w/o Valve	310 Lbs	3.14	46 - 61	60
220008304	SM750 30" Filter w/o Valve	460 Lbs	4.9	73 - 98	80
220008364	SM900 36" Filter w/o Valve	790 Lbs	7.1	104 - 140	110