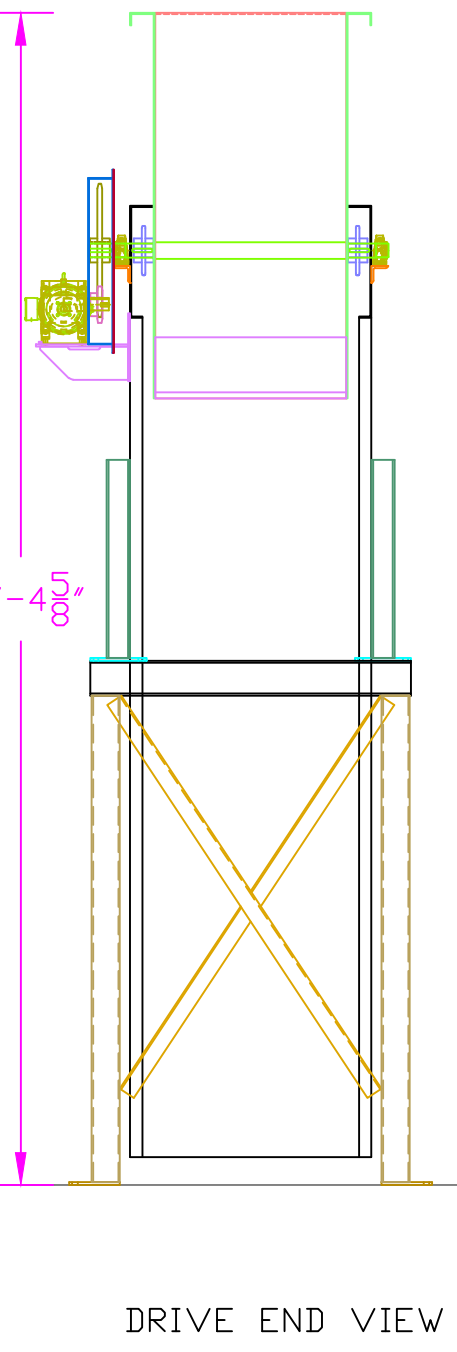
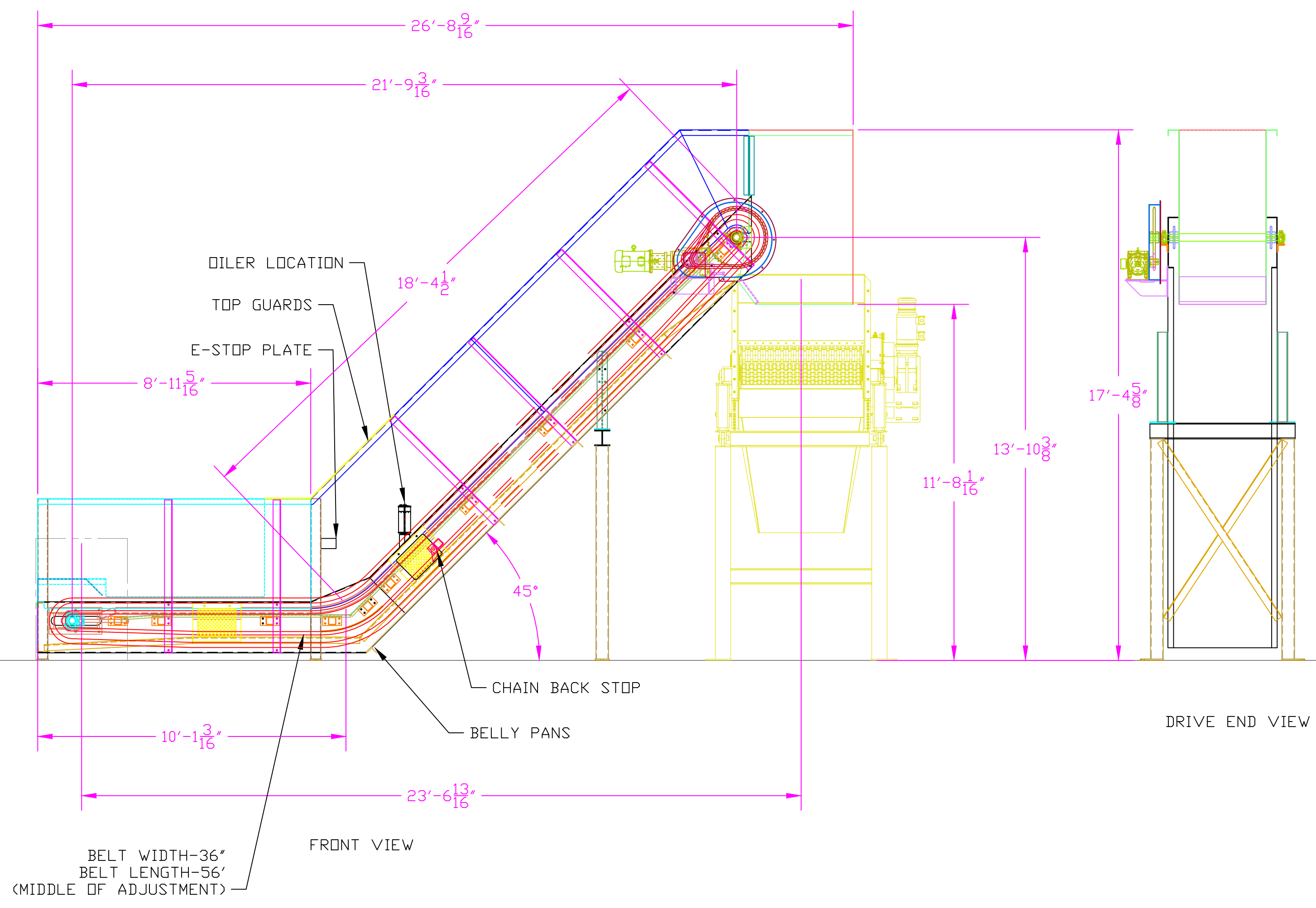
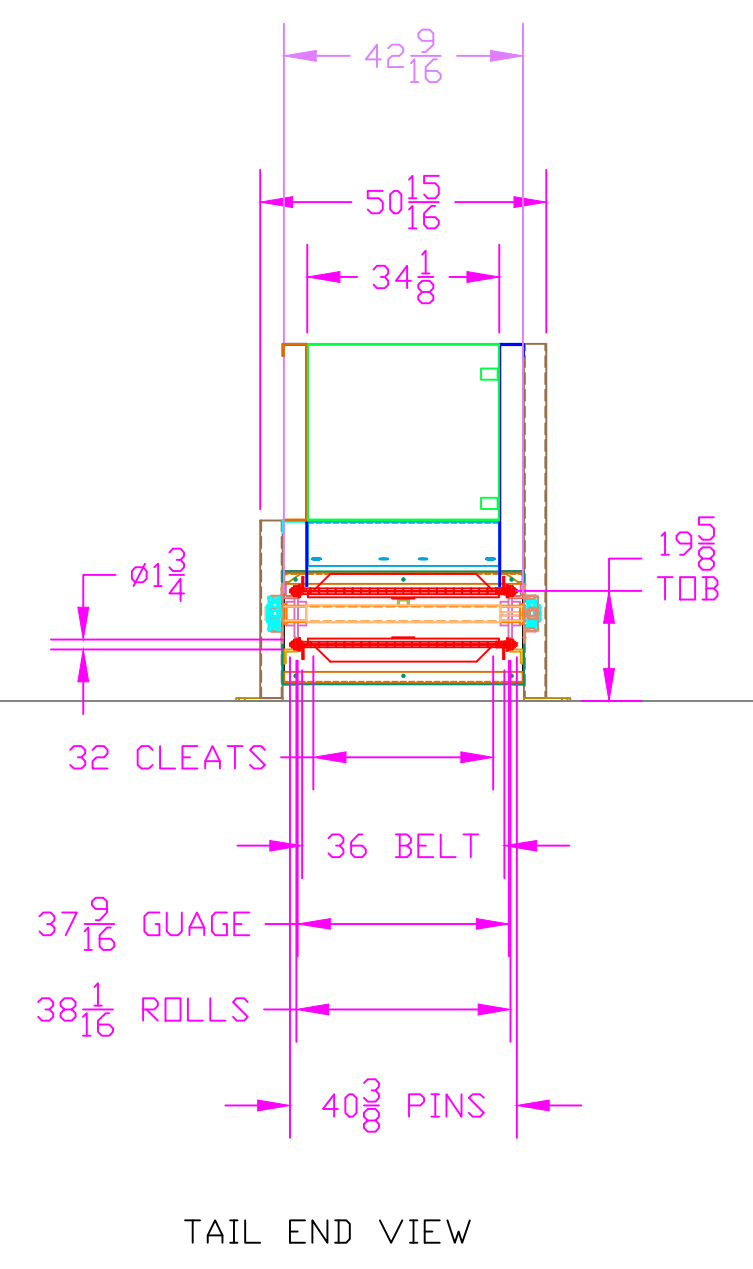
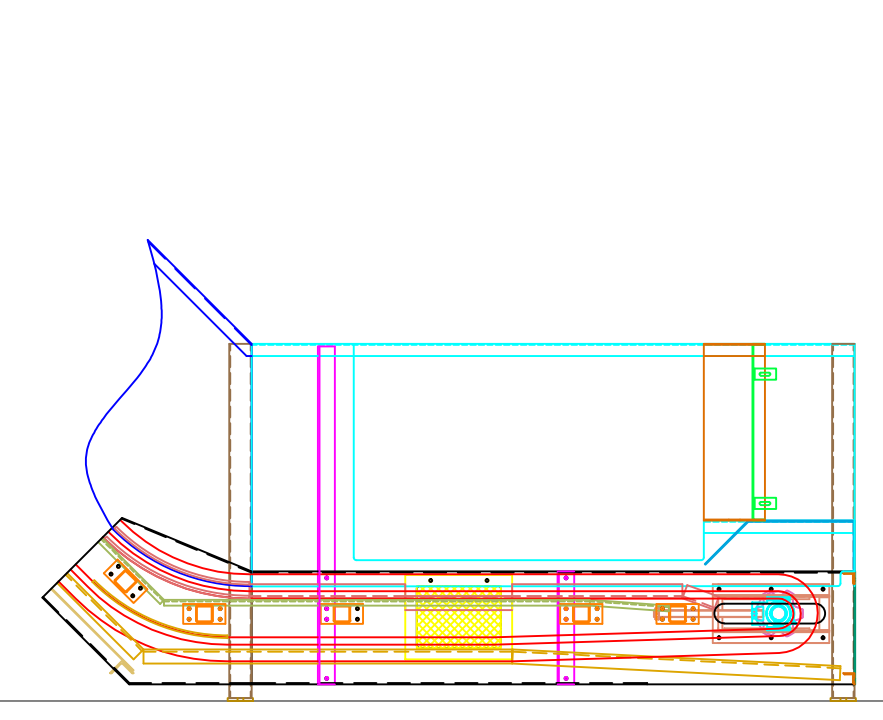
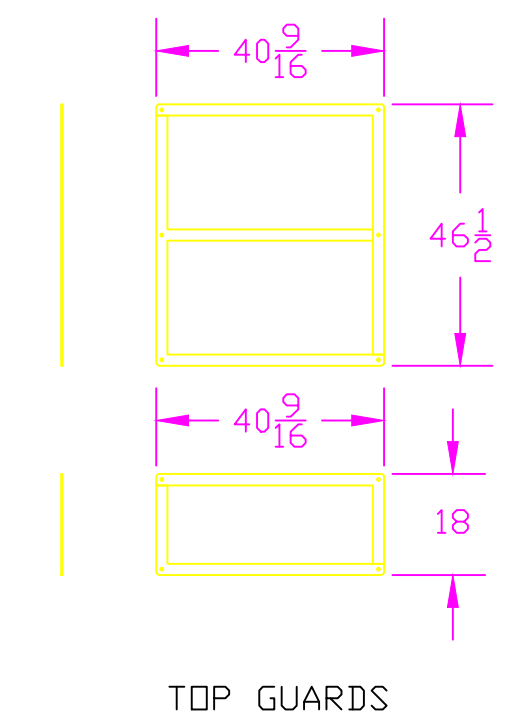
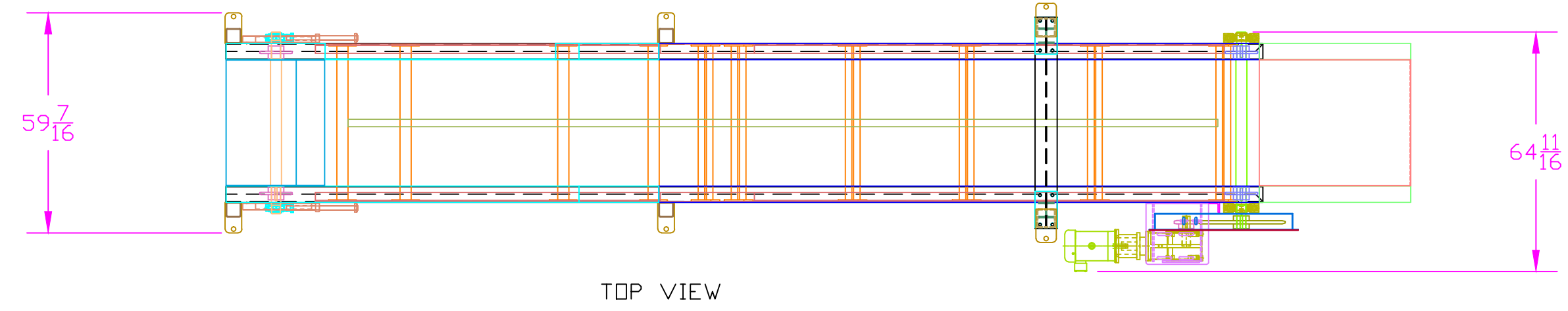


REVISION				
NO.	DESCRIPTION	DATE	BY	APPVD
1	ADDED TOP COVERS	05/14/10	TLS	
2				
3				



BELT WIDTH-36"
BELT LENGTH-56'
(MIDDLE OF ADJUSTMENT)

REV. NO.
2

REF.		Green Conveyors & Machine Group 5 Gigante Drive Hampstead, NH 03841 TITLE: G90123-12-C2 - MNF CLYNK- ST-4-36-10-18A45	PART NO.				
ISSUED							
SCALE	3/8"=1'-0"						
PILOT							
PROD.							
<small>UNLESS OTHERWISE SPECIFIED: FRACTIONAL: 1/16" DECIMAL: XXX/100 ANGULAR: 1/2" COMMON AXES: TYP. DIM. DO NOT SCALE DRAWING</small>		MATERIAL:	SUPERSEDES	BY	DRAWN	CHECKED	APPROVED
FINISH ETC:				NAME	TLS	ADG	
				DATE	05/07/10	2/25/15	
				PRINTS BEFORE			ARE VOID