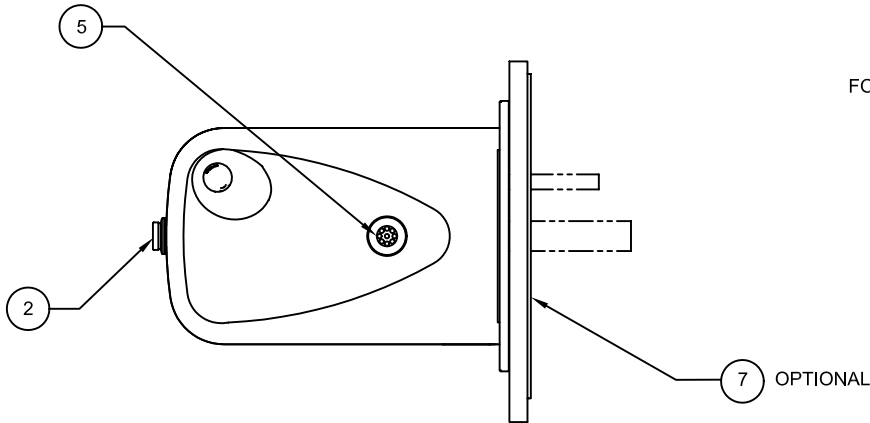
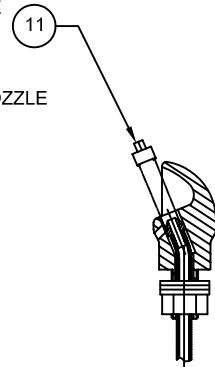


PARTS BREAKDOWN

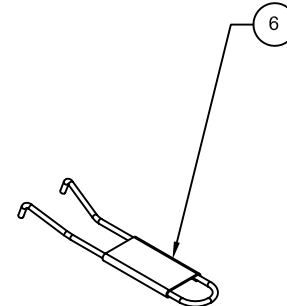
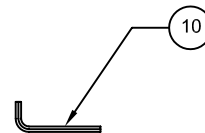
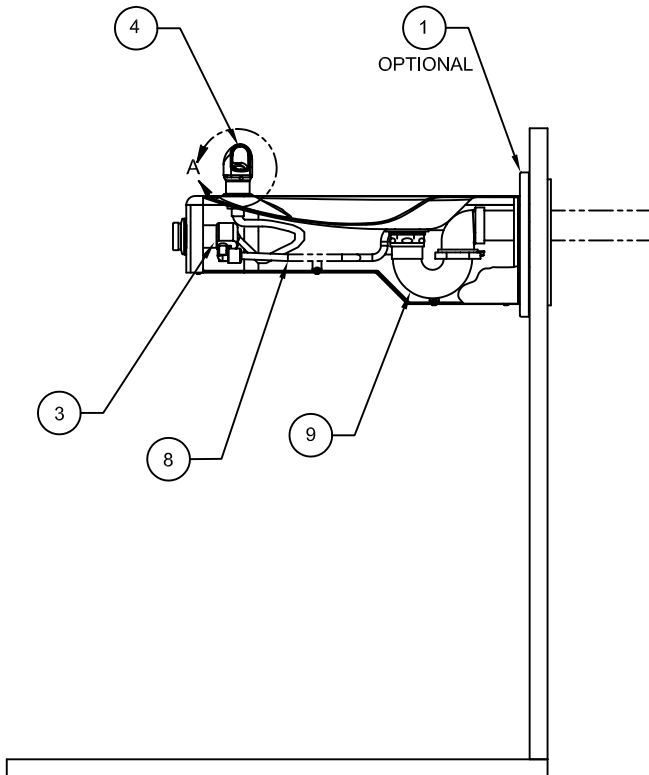
	ITEM	DESCRIPTION
OPTIONAL	1	BACK PANEL BP7
	2	BUTTON PBA6
	3	VALVE 5874SS
	4	BUBBLER HEAD 5703M
	5	STRAINER ASSY 6462
	6	SPANNER WRENCH P/N 0006983506
OPTIONAL	7	MOUNTING PLATE 6700
	8	BOTTOM PLATE PBM1107
	9	TRAP 0005982900
	10	KEY HEX F/PINNED HEX 0002981127
OPTIONAL	11	DRIVER, NOZZLE .25 HEX 0002082253




DRIVER, NOZZLE
.25 HEX
PN 0002082253
(OPTIONAL)
FOR REMOVAL OF NOZZLE
WITH TUBE



VIEW A
ROTATED 90° CW
DETAIL OF ITEM 4



 Haws [®]		1455 KLEPPE LANE SPARKS, NEVADA 89431 (775) 359-4712 FAX (775) 359-7424 E-MAIL: HAWS@HAWSO.COM WEBSITE: WWW.HAWSO.COM	
		ECN NO: _____ ECN: 4093 DRAWN: C. FENNER APPROVED: _____	BY: HM DATE: 10/25/06 CHK'D: _____ DATE: _____
WHEN ORDERING PARTS PLEASE SPECIFY YOUR MODEL NUMBER			
©2011 Haws Corporation - All Rights Reserved HAWS [®] and other trademarks used in these materials are the exclusive property of Haws Corporation.		SCALE: 1:1 DRAWING TYPE: PARTS BREAKDOWN	SIZE: A SHEET 1 OF 1