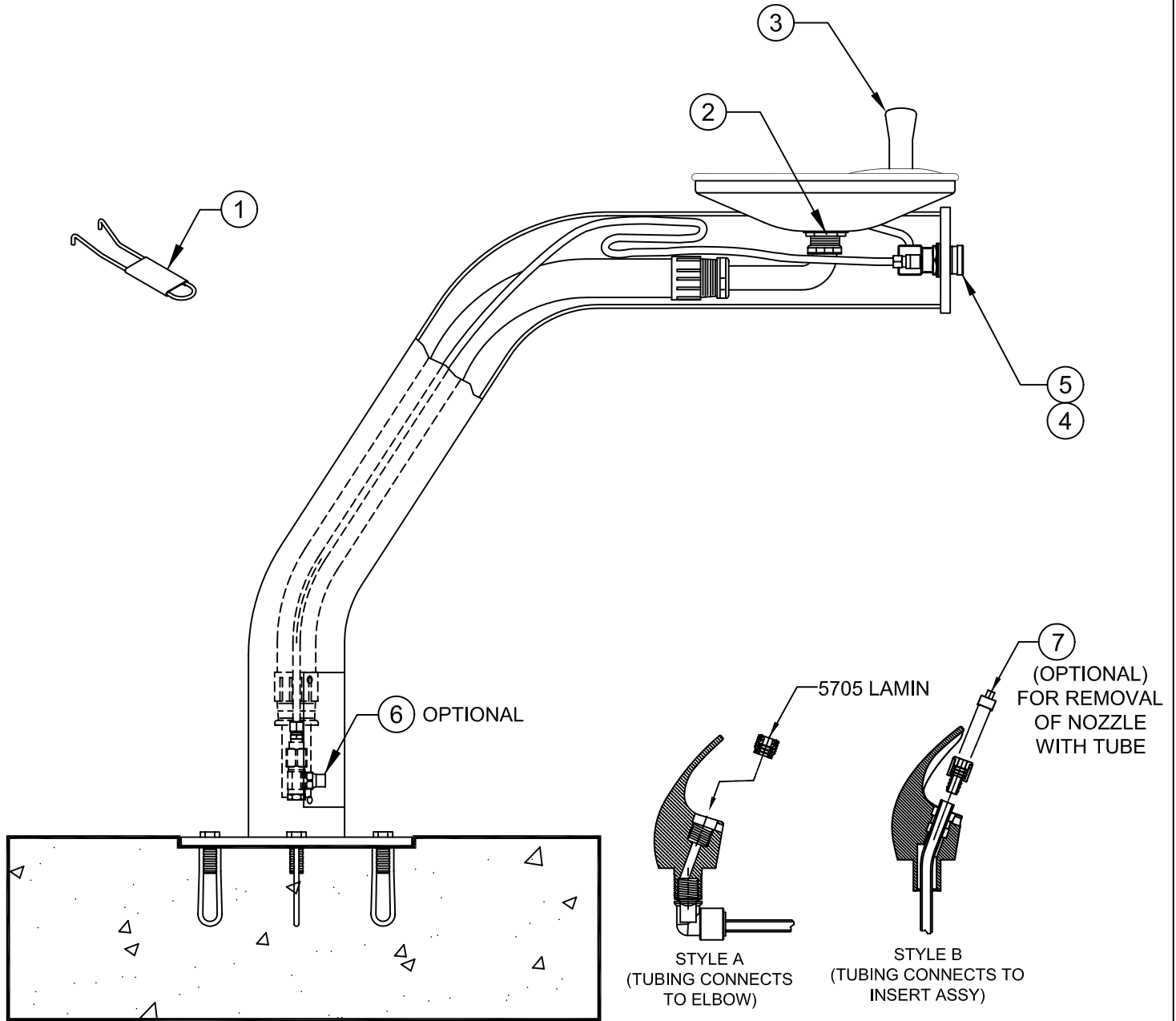


| ITEM | DESCRIPTION                               |
|------|---|
| 1    | SPANNER WRENCH<br>P/N 0006983506          |
| 2    | STRAINER 0005624292                       |
| 3    | BUBBLER HEAD 5705<br>(STYLE A OR STYLE B) |
| 4    | PUSH BTN ASS'Y PBA7                       |
| 5    | VALVE 5874                                |
| 6    | STOP ASSY, 1/2" X 1/4" 6449               |
| 7    | DRIVER, NOZZLE .25 HEX 0002082253         |

# PARTS BREAKDOWN



FOUNTAIN COULD HAVE EITHER STYLE

DETAIL A  
ROTATED 90° INTO VIEW

**WHEN ORDERING  
PARTS PLEASE  
SPECIFY YOUR  
MODEL NUMBER**



1455 KLEPPE LANE  
SPARKS, NEVADA 89431  
(775) 359-4712 FAX (775) 359-7424  
E-MAIL: HAWS@HAWS.CO.COM  
WEBSITE: WWW.HAWS.CO.COM

| REV       | DESCRIPTION | ECN  | DATE     | BY/APVD |
|-----------|-------------|------|----------|---------|
| 16        | UPDATED PER | 4177 | 12/08/09 | HM      |
| REVISIONS |             |      |          |         |

|                               |                |           |                          |            |
|-------------------------------|----------------|-----------|--------------------------|------------|
| DRAWN BY: D. OLLOM            | DATE: 11/25/95 | CHECK BY: | APPVD BY:                | SCALE: 1/4 |
| TITLE: 3380/3380G             |                |           | PART NUMBER: 0002077367  |            |
| DRAWING TYPE: PARTS BREAKDOWN |                |           | DRAWING NUMBER: 12816C00 | REV: 16    |