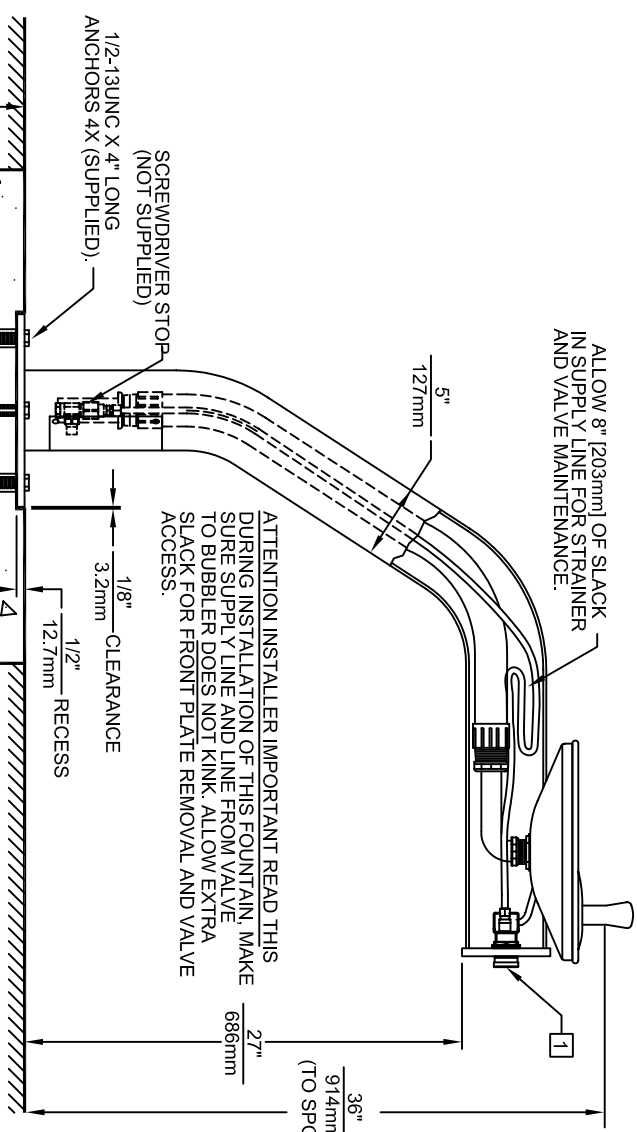
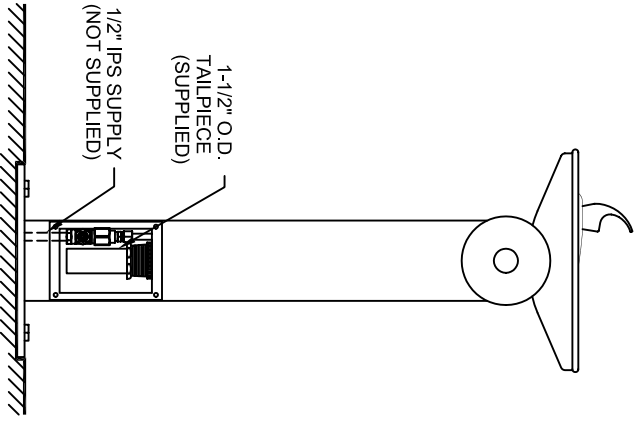


**NOTES:**  
 1. REFER TO 5874SS OPERATION AND MAINTENANCE MANUAL FOR PUSH BUTTON AND VALVE INSTALLATION/ MAINTENANCE INSTRUCTIONS.



ATTENTION INSTALLER IMPORTANT READ THIS DURING INSTALLATION OF THIS FOUNTAIN. MAKE SURE SUPPLY LINE AND LINE FROM VALVE TO BUBBLER DOES NOT KINK. ALLOW EXTRA SLACK FOR FRONT PLATE REMOVAL AND VALVE ACCESS.

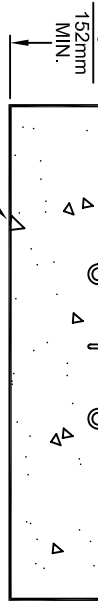
ALLOW 8" [203mm] OF SLACK IN SUPPLY LINE FOR STRAINER AND VALVE MAINTENANCE.



30" SQUARE CONCRETE SLAB. (NOT SUPPLIED)

1/2-13UNC X 4" LONG ANCHORS 4X (SUPPLIED).

SCREWDRIVER STOP (NOT SUPPLIED)



**Haws Corporation**

1455 KLEPPE LANE  
 SPARKS, NEVADA 89431  
 (775) 359-4712 FAX (775) 359-7424  
 E-MAIL: HAWS@HAWSCC.COM  
 WEBSITE: WWW.HAWSCC.COM

ED. NO.:	10/2007	REV.:	000207/367.D
DATE:	07/27/02	DATE:	10/25/00
APPROVED:	C. HAWES	DESIGNED BY:	INSTALLATION/EXHIBIT
MODEL(S):	3380/3380G	INFO FAX DOC #:	23390/233904
FORM NO.:	3380/3380G	SIZE:	A
DATE:	07/27/02	SHEET:	1 OF 1