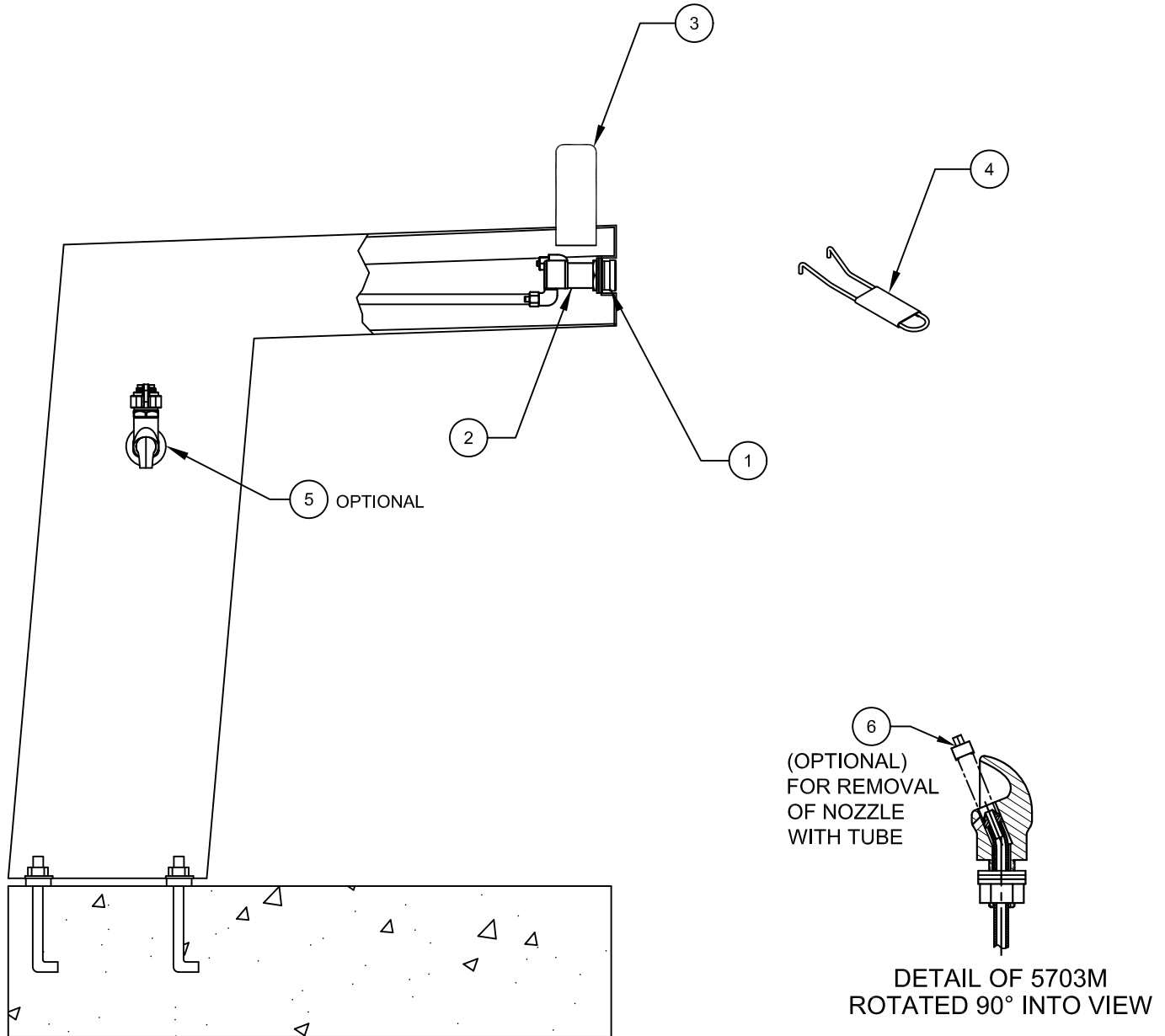


ITEM	DESCRIPTION	PART NO.
1	PUSH BTN ASS'Y	PBA7
2	VALVE	5874SS
3	BUBBLER HEAD	5703M
4	SPANNER WRENCH	0006983506
5	BIB FAUCET (OPTIONAL)	6250LF
6	DRIVER, NOZZLE .25 HEX	0002082253

PARTS BREAKDOWN



Haws®

1455 KLEPPE LANE
SPARKS, NEVADA 89431
(775) 359-4712 FAX (755) 359-7424
E-MAIL: HAWS@HAWS.CO.COM
WEBSITE: WWW.HAWS.CO.COM

ECN NO. REVISED PER BY	ECN: 4646	HM	MODEL(S)	PART NUMBER
DRAWN	DATE	CHKD	3202/3202G	0002077328
D. OLLOM	11/25/95			DRAWING NO.
APPROVED	DATE			12812C00
			SCALE: 1:4	DRAWING TYPE: PARTS BREAKDOWN
			SIZE: A	SHEET 1 OF 1

WHEN ORDERING PARTS PLEASE SPECIFY MODEL NUMBER.