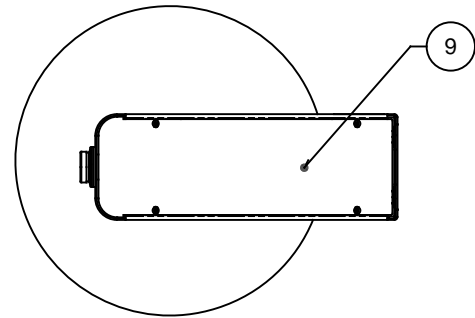
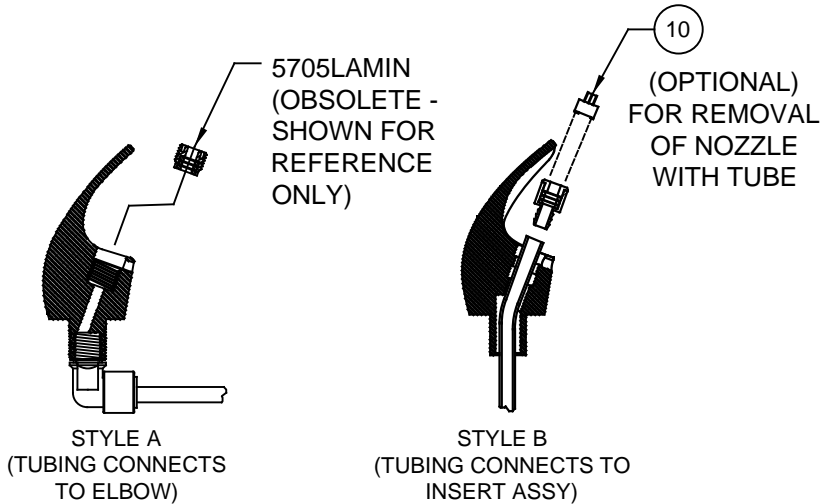
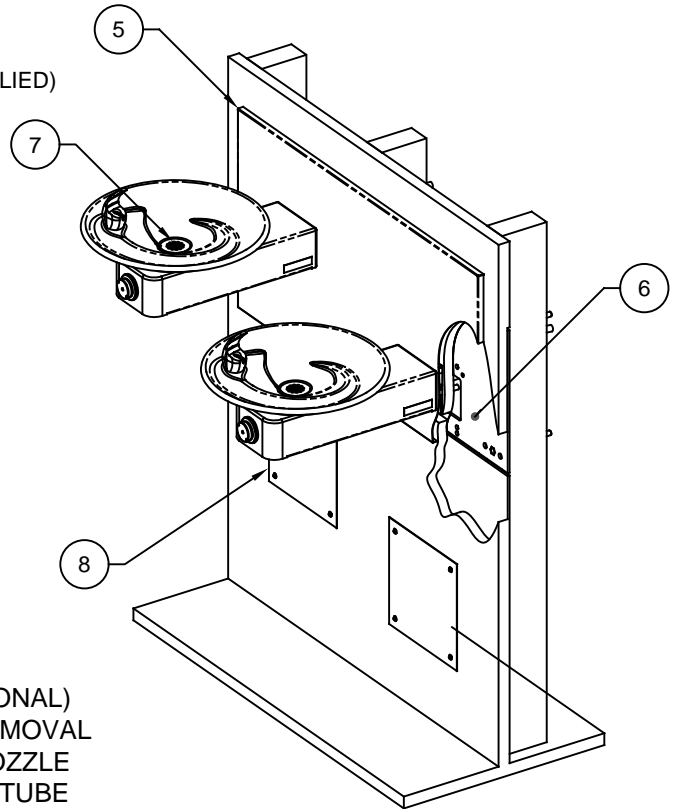
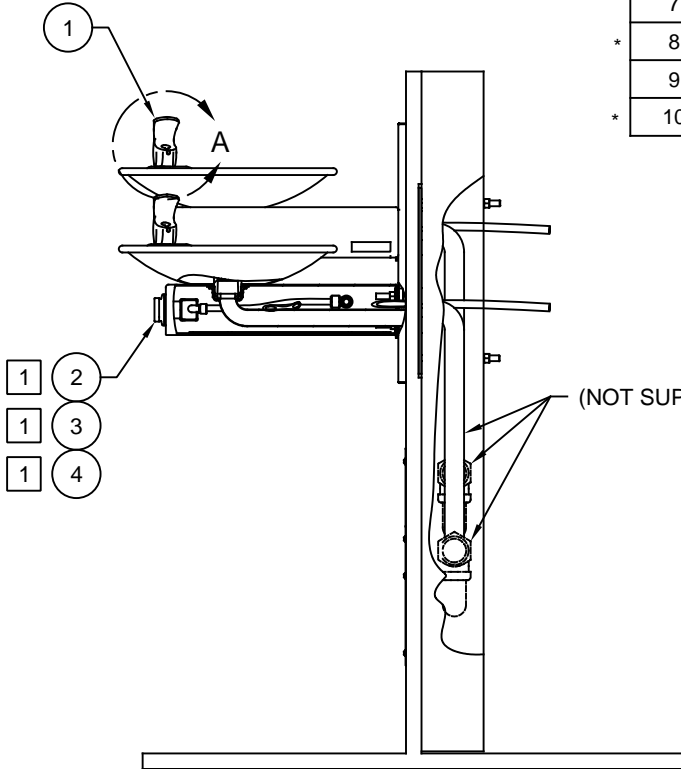


NOTES:

- 1 5874PBF (ITEM 2) INCLUDES VRK5874 CARTRIDGE ASSEMBLY (ITEM 3) AND PBA6 FLANGED PUSH BUTTON (ITEM 4).

ITEM	DESCRIPTION	1011	1011HPS
1	BUBBLER HEAD, PCP	5705	5705
2	BUTTON, PUSH, PCP, FLANGED W/ VALVE	5874PBF	5874PBF
3	VALVE REPAIR KIT	VRK5874	VRK5874
4	BUTTON, PUSH, 5874, FLANGED	PBA6	PBA6
5	PANEL, BACK, F/ SATIN SWIRL OR HI-POL SS	0004012000	0004012023
6	PLATE, MOUNTING	6700.4	6700.4
7	STRAINER, WASTE ASSEMBLY, SCP OR PCP	6463	6463PCP
* 8	PANEL, ACCESS, SS SATIN OR HI-POL	6603	6603HPS
9	PLATE, BOTTOM, F/ 1000	PBM1000	PBM1000
* 10	DRIVER, NOZZLE, .25 HEX	0002082253	0002082253

\* DENOTES OPTIONAL PART.



FOUNTAIN COULD HAVE EITHER STYLE  
 DETAIL A  
 ROTATED 90° INTO VIEW

# PARTS BREAKDOWN

WHEN ORDERING PARTS PLEASE SPECIFY MODEL NUMBER.

		<b>Haws</b> ®		1455 KLEPPE LANE SPARKS, NEVADA 89431 (775) 359-4712 FAX (775) 359-7424 E-MAIL: HAWS@HAWSCO.COM WEBSITE: WWW.HAWSCO.COM	
ECN NO.	REVISED PER	BY	MODEL(S)	PART NUMBER	
	ECN: 5274	VWC	1011/1011HPS	0002076520	
DRAWN	DATE	CHKD	1011/1011HPS	REVISION	
RM	10/19/98	VWC	DRINKING FOUNTAIN	20	
APPROVED	DATE	SCALE: 1:1	DRAWING TYPE: PARTS BREAKDOWN	SIZE: A	SHEET 1 OF 1
FV	02/23/18				