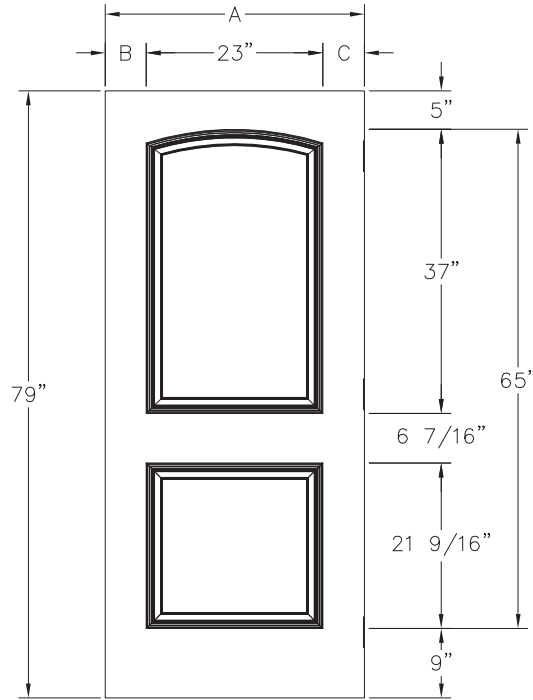
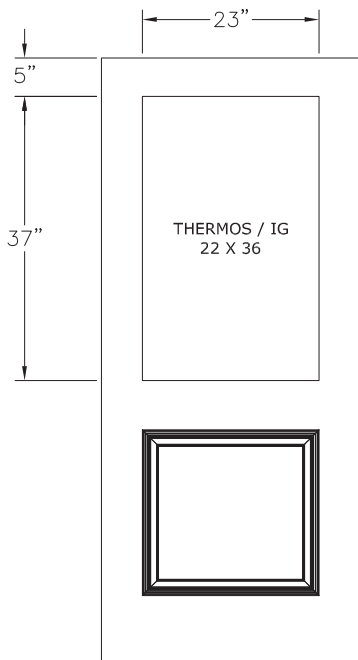


			2'8"	2'10"	3'0"	
A	A	A	A 31 3/4"	A 33 3/4"	A 35 3/4"	A
B	B	B	B 4 5/16"	B 5 5/16"	B 6 5/16"	B
C	C	C	C 4 7/16"	C 5 7/16"	C 6 7/16"	C
			XX-044-005-001-XXX	XX-044-010-001-XXX	XX-044-015-001-XXX	



OUVERTURE SUGGÉRÉE / SUGGESTED CUT-OUT



DESCRIPTION

(6'8") 2P tête cambrée / 2P Camber Top (PS)

VERSION

02