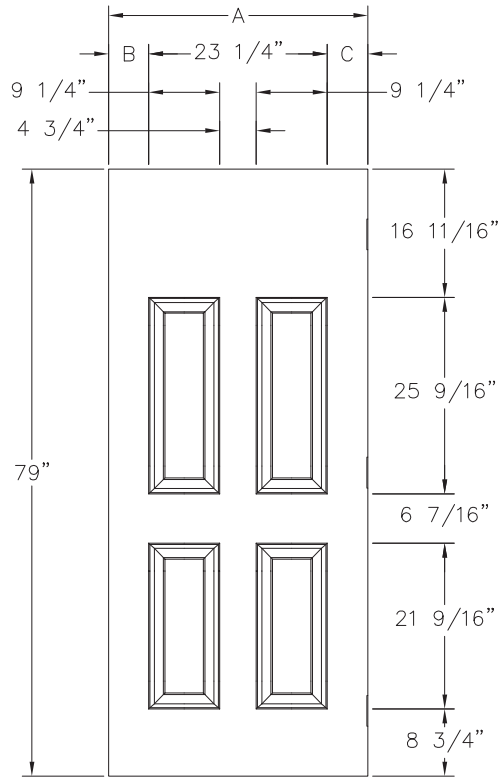


			2'8"	2'10"	3'0"	
A	A	A	A 31 3/4"	A 33 3/4"	A 35 3/4"	A
B	B	B	B 4 3/16"	B 5 3/16"	B 6 3/16"	B
C	C	C	C 4 5/16"	C 5 5/16"	C 6 5/16"	C
			XX-004-005-001-XXX	XX-004-010-001-XXX	XX-004-015-001-XXX	



**OUVERTURE SUGGÉRÉE / SUGGESTED CUT-OUT**



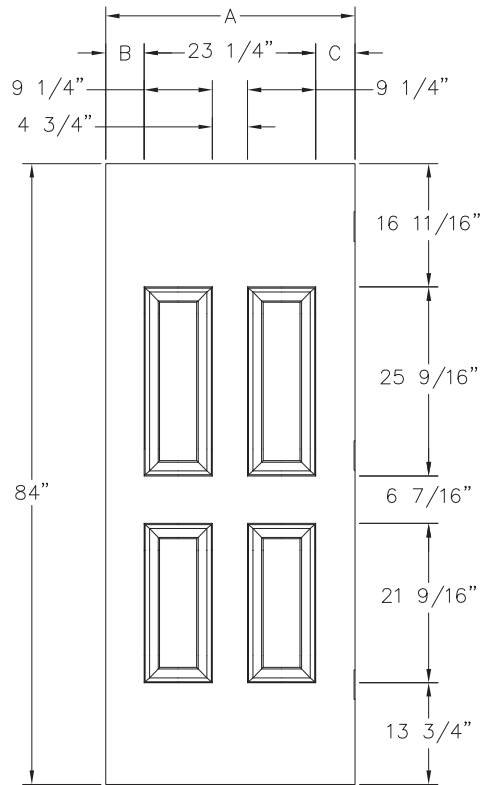
**DESCRIPTION**

(6'8") 4P (PS)

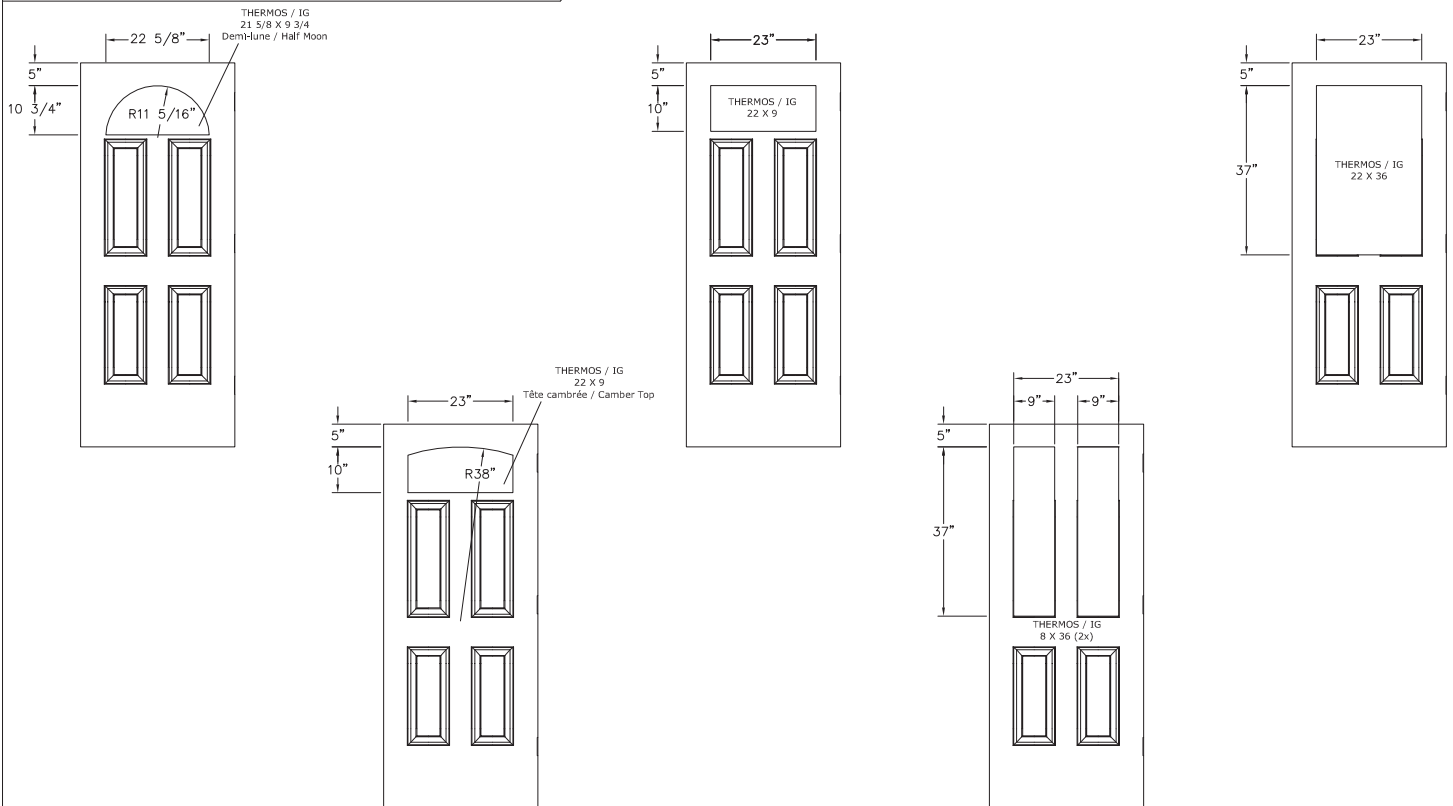
**VERSION**

02

			2'8"	2'10"	3'0"	
A	A	A	A 31 3/4"	A 33 3/4"	A 35 3/4"	A
B	B	B	B 4 3/16"	B 5 3/16"	B 6 3/16"	B
C	C	C	C 4 5/16"	C 5 5/16"	C 6 5/16"	C
			XX-004-158-001-XXX	XX-004-159-001-XXX	XX-004-160-001-XXX	



**OUVERTURE SUGGÉRÉE / SUGGESTED CUT-OUT**



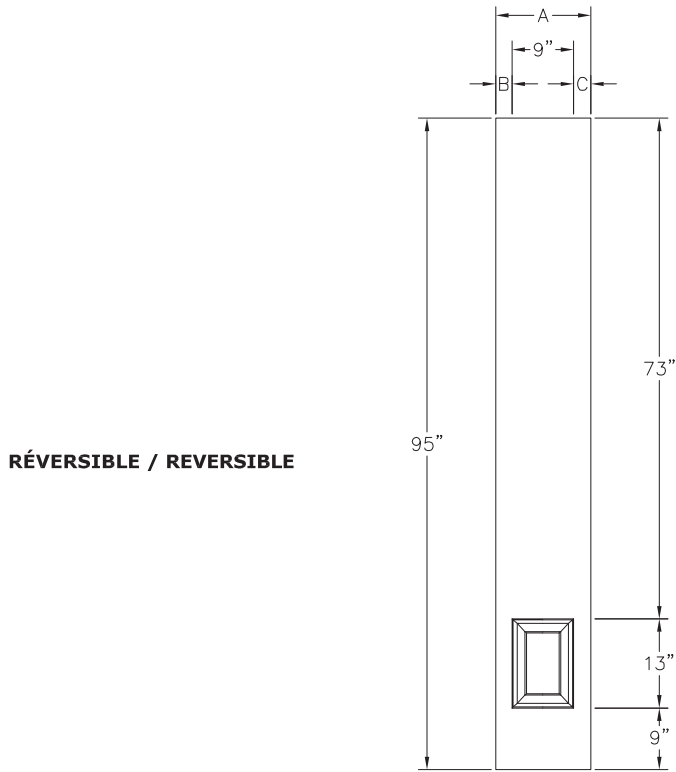
**DESCRIPTION**

(7'0") 4P (P12)

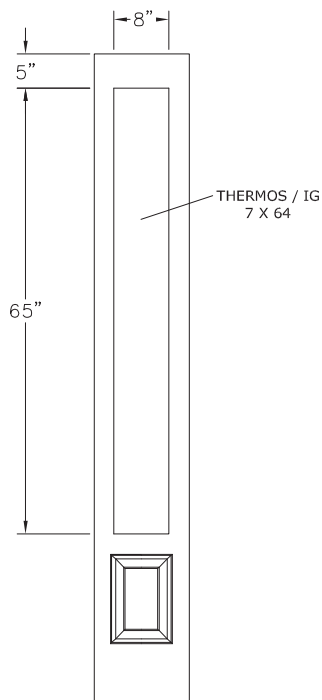
**VERSION**

02

		1'2"					
A	A	13 7/8"	A	A	A	A	A
B	B	2 3/8"	B	B	B	B	B
C	C	2 1/2"	C	C	C	C	C
		XX-002-129-001-XXX					



**OUVERTURE SUGGÉRÉE / SUGGESTED CUT-OUT**



**DESCRIPTION**

(8'0") 1/4P XE (latéral) / 1/4P XE (Sidelite) (P0)

**VERSION**

02