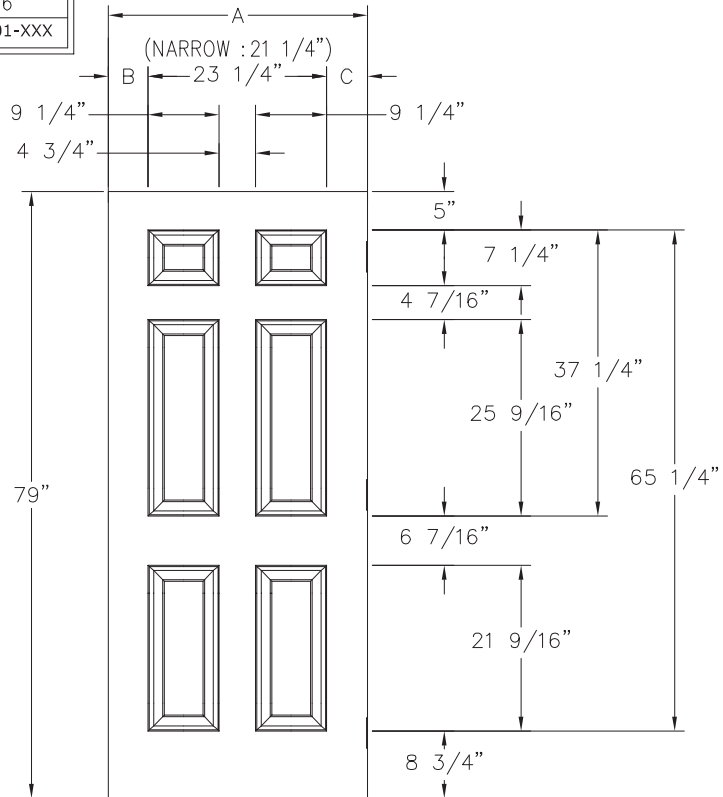
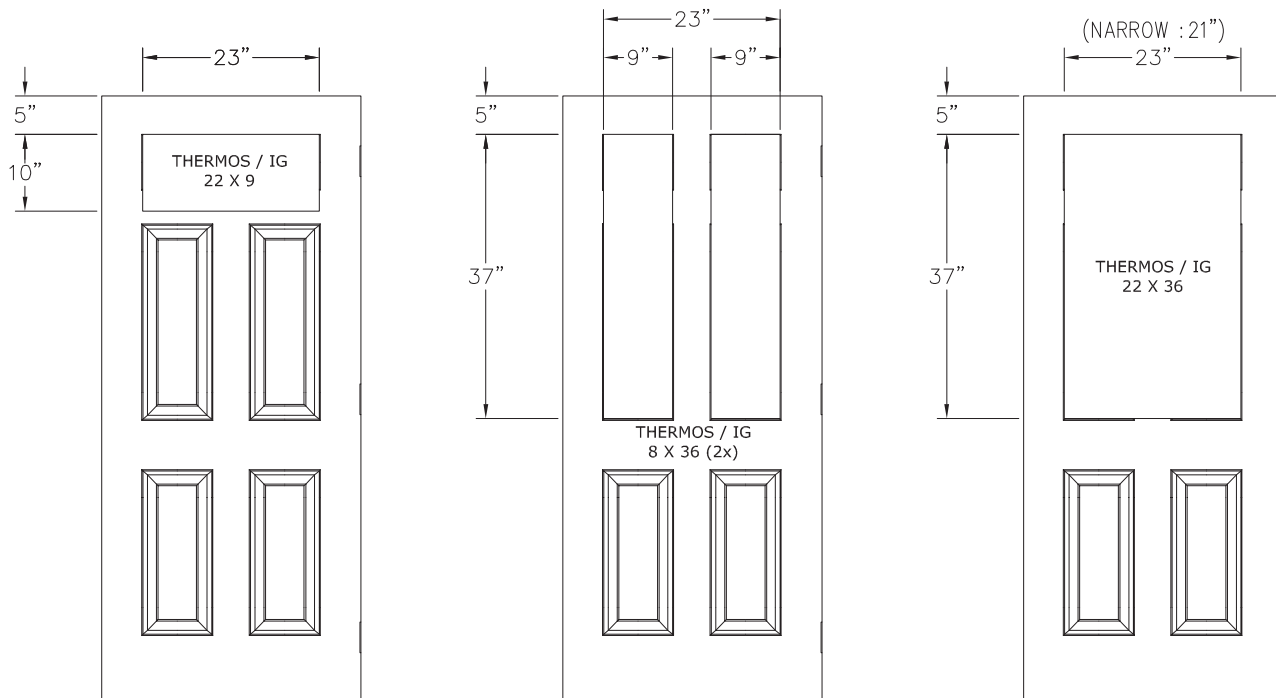


	2'4"	2'6"	2'8"	2'10"	3'0"	
A	A 27 3/4"	A 29 3/4"	A 31 3/4"	A 33 3/4"	A 35 3/4"	A
B	B 2 3/16"	B 3 3/16"	B 4 3/16"	B 5 3/16"	B 6 3/16"	B
C	C 2 5/16"	C 3 5/16"	C 4 5/16"	C 5 5/16"	C 6 5/16"	C
	XX-005-003-001-XXX	XX-005-004-001-XXX	XX-005-005-001-XXX	XX-005-010-001-XXX	XX-005-015-001-XXX	

EMBOSSÉ ÉTROITE (NON XE) / NARROW EMBOSSEMENT (NOT XE)	B	3 3/16"	B	4 3/16"
	C	3 5/16"	C	4 5/16"
		XX-039-003-001-XXX		XX-039-004-001-XXX



OUVERTURE SUGGÉRÉE / SUGGESTED CUT-OUT



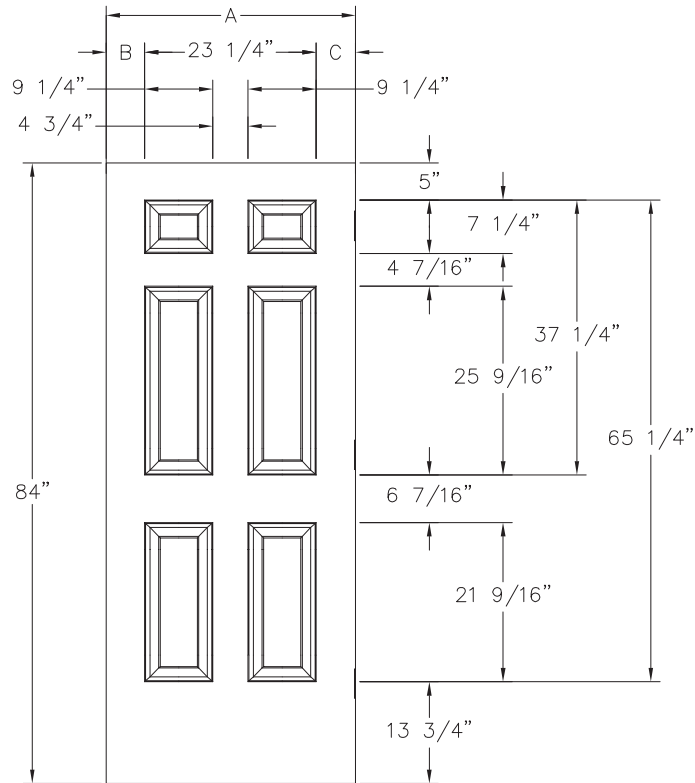
DESCRIPTION

(6'8") 6P (PS)

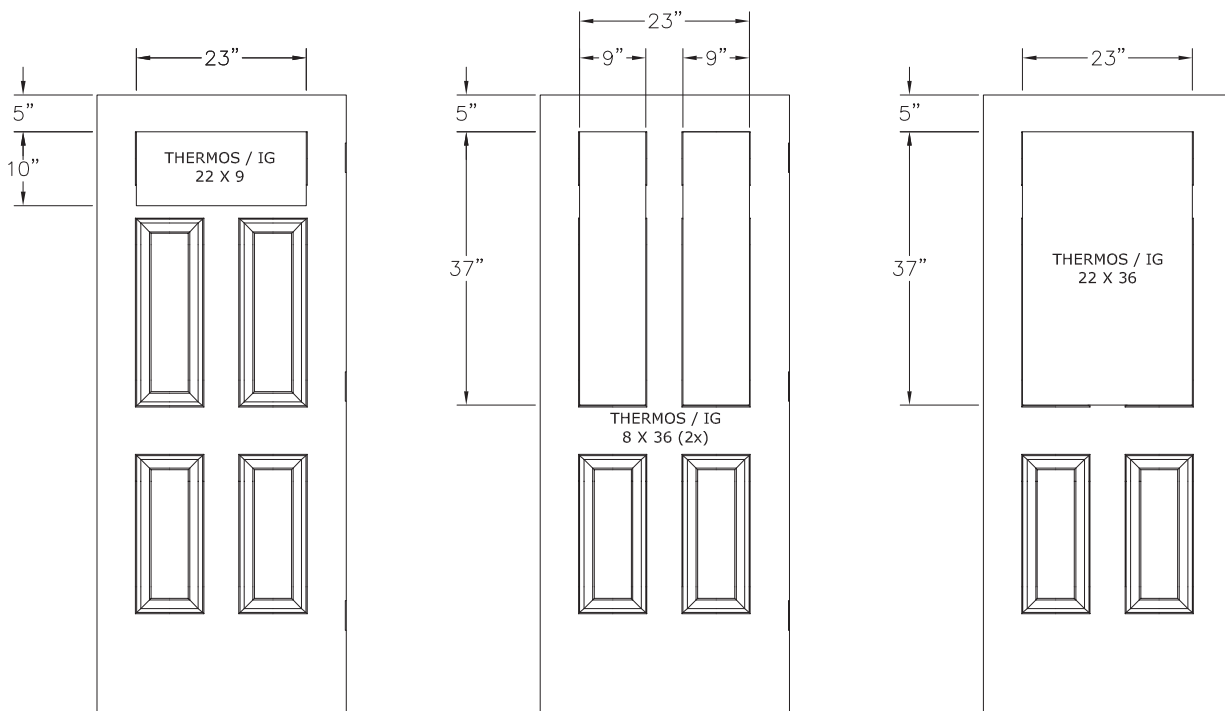
VERSION

02

			2'8"	2'10"	3'0"	
A	A	A	31 3/4"	33 3/4"	35 3/4"	A
B	B	B	4 3/16"	5 3/16"	6 3/16"	B
C	C	C	4 5/16"	5 5/16"	6 5/16"	C
			XX-005-158-001-XXX	XX-005-159-001-XXX	XX-005-160-001-XXX	



OUVERTURE SUGGÉRÉE / SUGGESTED CUT-OUT



DESCRIPTION

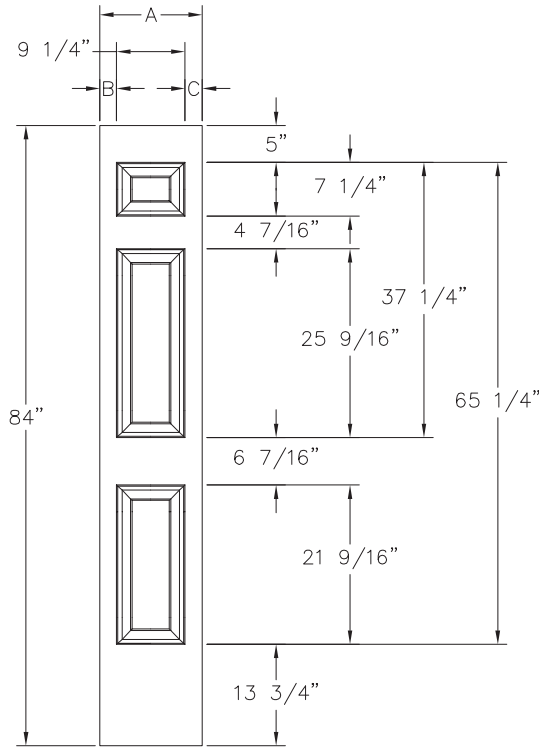
(7'0") 6P (P12)

VERSION

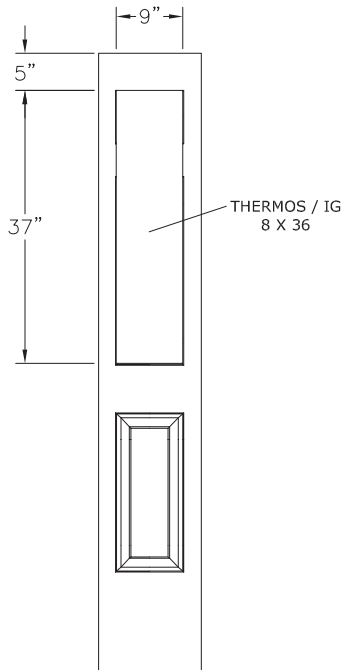
02

1'0"		1'2"					
A	11 7/8"	A	13 7/8"	A		A	
B	1 1/4"	B	2 1/4"	B		B	
C	1 3/8"	C	2 3/8"	C		C	
XX-003-268-001-XXX		XX-003-248-001-XXX					

NON RÉVERSIBLE / NOT REVERSIBLE



OUVERTURE SUGGÉRÉE / SUGGESTED CUT-OUT



DESCRIPTION

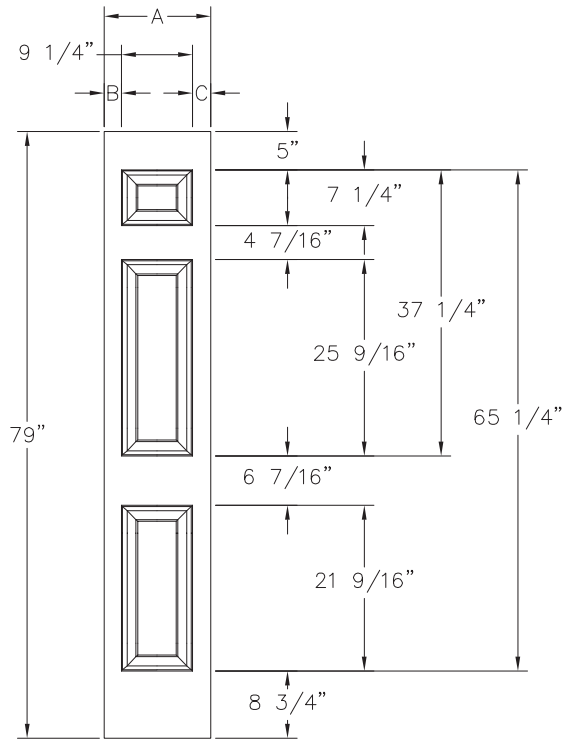
(7'0") 3P XE (latéral) / 3P XE (Sidelite) (P0)

VERSION

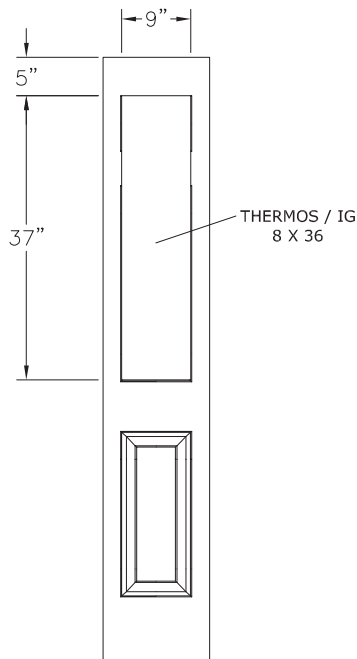
02

1'0"		1'2"					
A	11 7/8"	A	13 7/8"	A		A	
B	1 1/4"	B	2 1/4"	B		B	
C	1 3/8"	C	2 3/8"	C		C	
XX-003-169-001-XXX		XX-003-173-001-XXX					

NON RÉVERSIBLE / NOT REVERSIBLE



OUVERTURE SUGGÉRÉE / SUGGESTED CUT-OUT



DESCRIPTION

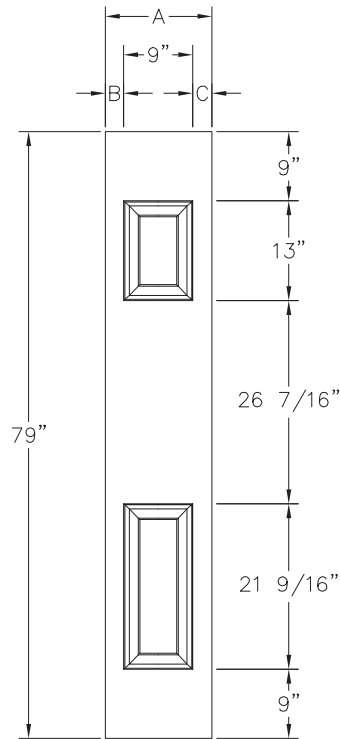
(6'8") 3P XE (latéral) / 3P XE (Sidelite) (P0)

VERSION

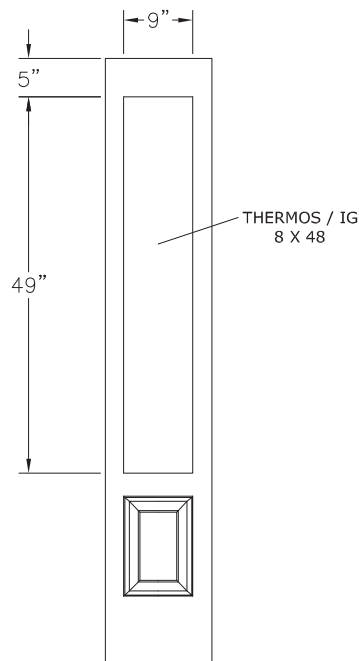
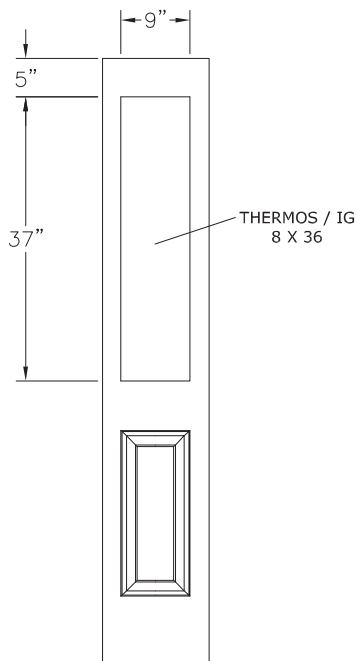
02

1'0"		1'2"		1'5"		1'6"				
A	11 7/8"	A	13 7/8"	A	16 7/8"	A	17 7/8"	A		A
B	1 3/8"	B	2 3/8"	B	3 7/8"	B	4 3/8"	B		B
C	1 1/2"	C	2 1/2"	C	4"	C	4 1/2"	C		C
XX-029-169-001-XXX		XX-029-173-001-XXX		XX-029-245-001-XXX		XX-029-244-001-XXX				

RÉVERSIBLE / REVERSIBLE



OUVERTURE SUGGÉRÉE / SUGGESTED CUT-OUT



DESCRIPTION

(6'8") Réversible XE (latéral) / Reversible XE (Sidelite) (P0)

VERSION

02