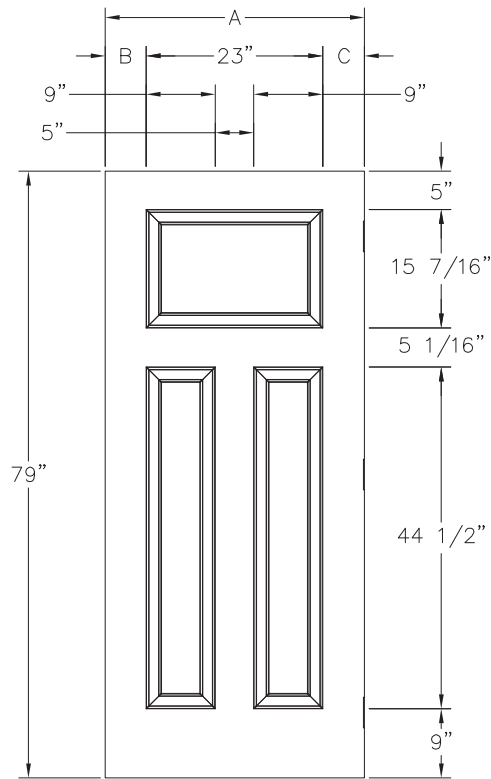
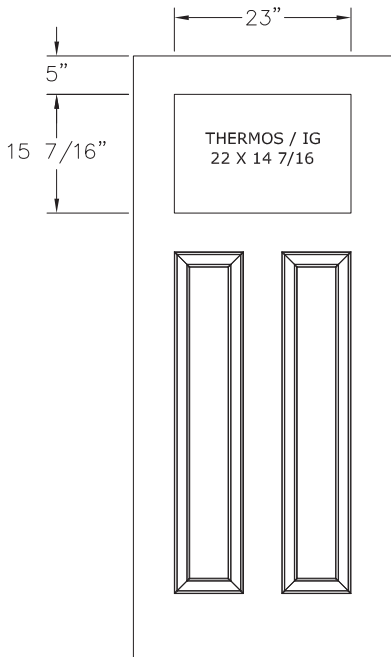


			2'8"	2'10"	3'0"		
A	A	A	A 31 3/4"	A 33 3/4"	A 35 3/4"	A	A
B	B	B	B 4 5/16"	B 5 5/16"	B 6 5/16"	B	B
C	C	C	C 4 7/16"	C 5 7/16"	C 6 7/16"	C	C
			XX-107-005-001-XXX	XX-107-010-001-XXX	XX-107-015-001-XXX		



OUVERTURE SUGGÉRÉE / SUGGESTED CUT-OUT



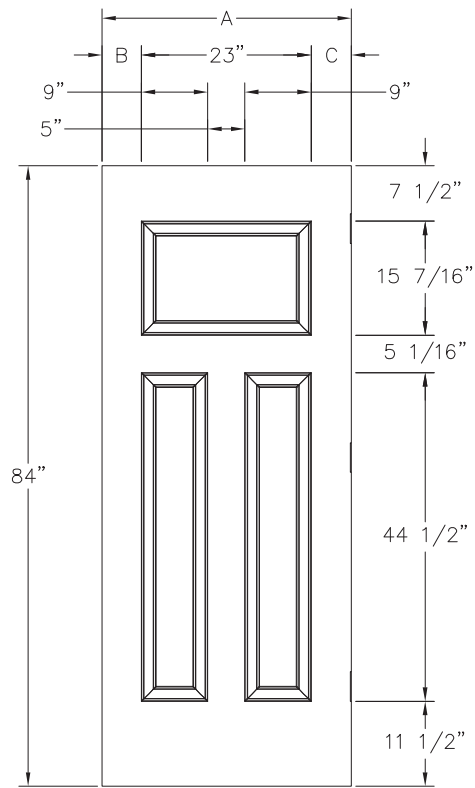
DESCRIPTION

(6'8") Victoria Shaker (PS)

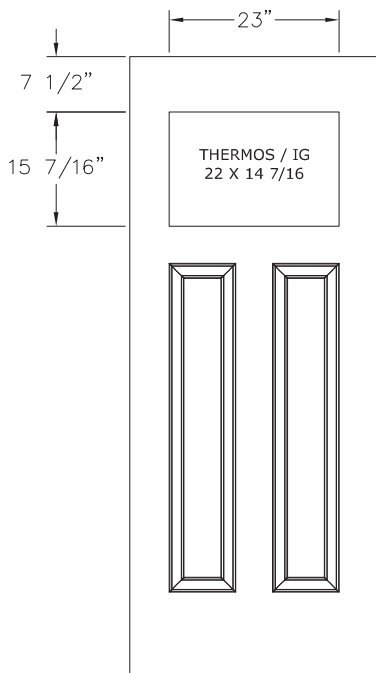
VERSION

02

			2'8"	2'10"	3'0"	
A	A	A	A 31 3/4"	A 33 3/4"	A 35 3/4"	A
B	B	B	B 4 5/16"	B 5 5/16"	B 6 5/16"	B
C	C	C	C 4 7/16"	C 5 7/16"	C 6 7/16"	C
			XX-107-158-001-XXX	XX-107-159-001-XXX	XX-107-160-001-XXX	



OUVERTURE SUGGÉRÉE / SUGGESTED CUT-OUT



DESCRIPTION

(7'0") Victoria Shaker (P12)

VERSION

02