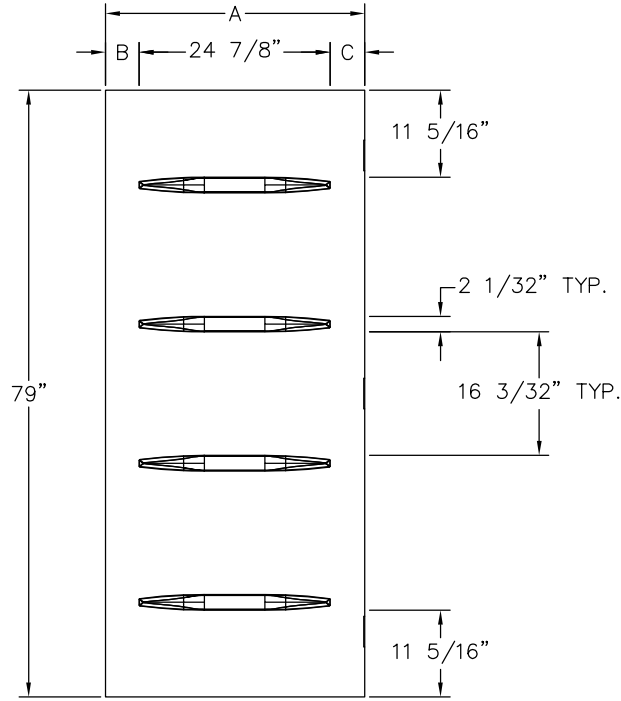
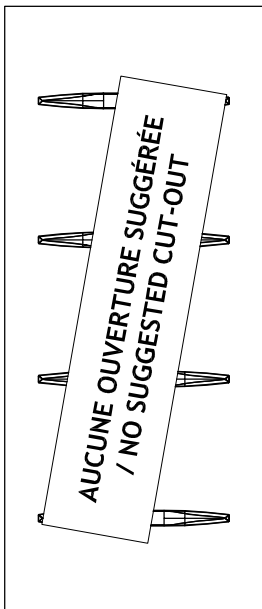


				2'10"	3'0"	
A	A	A	A	A 33 3/4"	A 35 3/4"	A
B	B	B	B	B 4 3/8"	B 5 3/8"	B
C	C	C	C	C 4 1/2"	C 5 1/2"	C
				XX-090-010-001-XXX	XX-090-015-001-XXX	



OUVERTURE SUGGÉRÉE / SUGGESTED CUT-OUT



DESCRIPTION

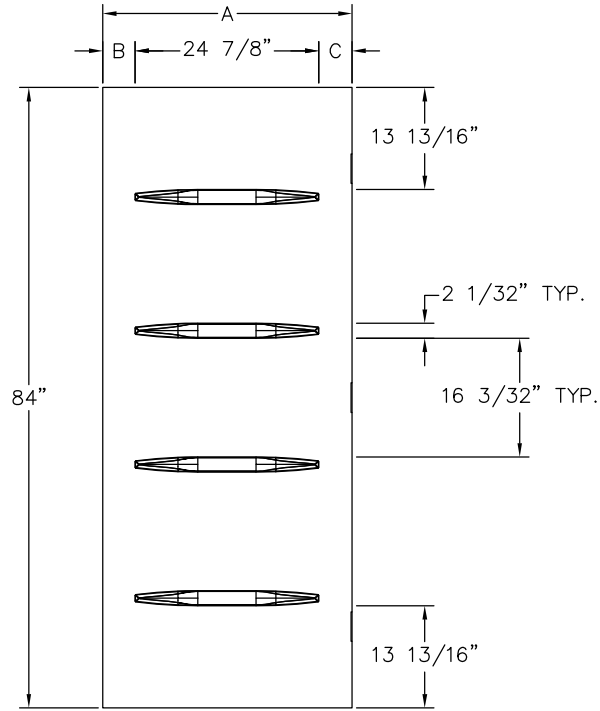
(6'8") Tao (PS)

VERSION

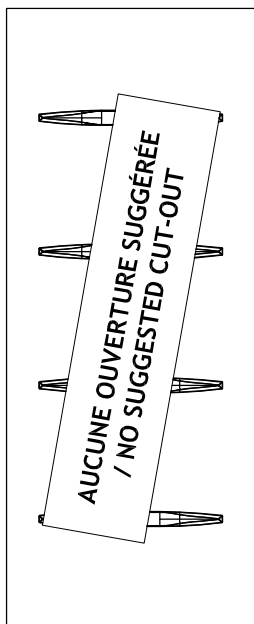
03

16/56

				2'10"	3'0"	
A	A	A	A	A 33 3/4"	A 35 3/4"	A
B	B	B	B	B 4 3/8"	B 5 3/8"	B
C	C	C	C	C 4 1/2"	C 5 1/2"	C
				XX-075-159-001-XXX	XX-075-160-001-XXX	



OUVERTURE SUGGÉRÉE / SUGGESTED CUT-OUT



DESCRIPTION

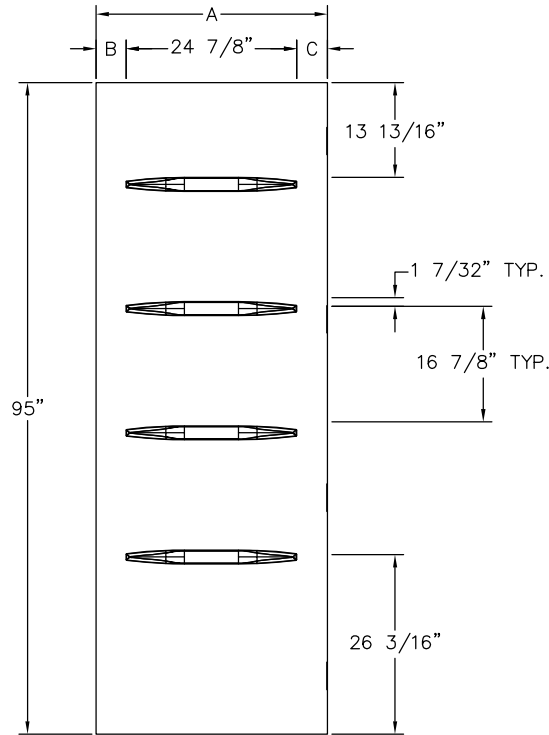
(7'0") Tao (P12)

VERSION

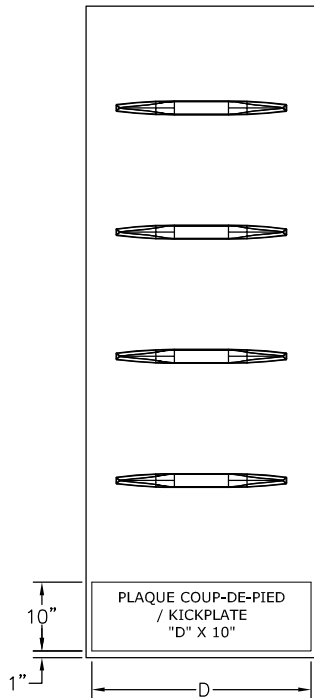
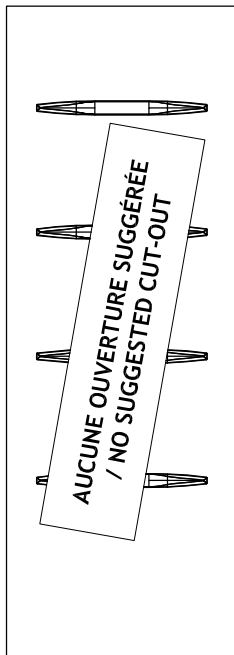
03

24/56

				2'10"	3'0"	
A	A	A	A	33 3/4"	35 3/4"	A
B	B	B	B	4 3/8"	5 3/8"	B
C	C	C	C	4 1/2"	5 1/2"	C
				XX-090-127-001-XXX	XX-090-128-001-XXX	



OUVERTURE SUGGÉRÉE / SUGGESTED CUT-OUT



PORTE 33 3/4" DOOR : D=32"
PORTE 35 3/4" DOOR : D=34"

DESCRIPTION

(8'0") Tao (PS)

VERSION

03

29/56