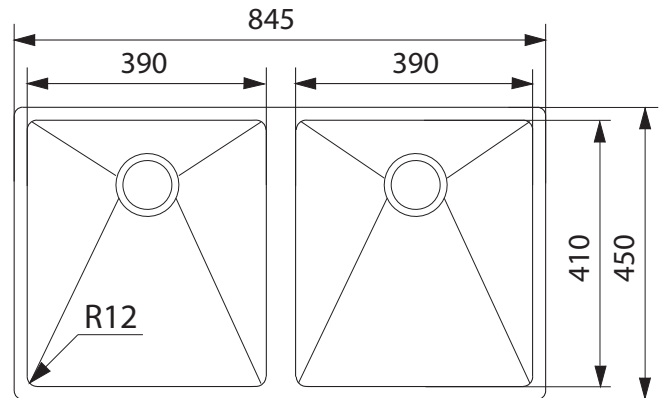


PLANAR

PZX220-39



PRODUCT INFORMATION

Installation	Topmount/Flushmount/Undermount
Dimensions	845 x 450mm
Cabinet Base	900mm
Bowl Size	390 x 410 x 200mm/32L (x2)
Bowl Radius	12mm
Cut-Out Size	Template
Cut-Out Template	Yes
Waste Outlet	Semi Integrated Waste
Overflow	No
Tap Holes	No
Remote Waste	No
Finish	Stainless Steel
Warranty	50 Years

NOTE: Cut-out dimensions are a guide only, please use the actual sink as your template.

FEATURES & BENEFITS



Food Preparation Centre



18/10 Stainless Steel



Sound Deadening Pads



Waste To Rear Of Bowl



Flushmount Finish



Franke Bowl Insulation

ACCESSORIES

— Included Accessory
- - - Available Accessory



CB931
Chopping Board



RM44
Rollamat



DT360
Extension Drainer

BARE SINK OPTION AND SOME SINK & TAP PACKAGES DO NOT INCLUDE ACCESSORIES. PLEASE CHAT TO YOUR SALES CONSULTANT FOR FURTHER INFORMATION.

LAST UPDATED: 21 OCTOBER 2022

FRANKE