

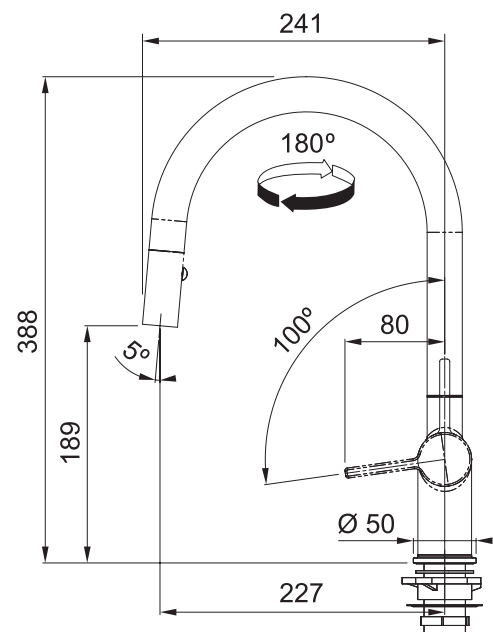
ACTIVE

TA7791MB



PRODUCT INFORMATION

Style	Pull-Out, Dual Spray
Tap Swivel Spout (degrees)	180°
Cut-Out Size	Ø 35mm
WELS	5 star / 5.5 Lpm Reg No: T40751
Min. (PSI)	14.5
Max. (PSI)	70
Min. (kPa)	100kPa
Max. (kPa)	500kPa
Finish	Matte Black
Warranty	5 years parts and labour 15 years cartridge only *T&C's apply



PLEASE NOTE: Large and heavy taps should ideally be mounted directly through the solid benchtop or fully supported from underneath. For all other swivel taps, we recommend the use of the Franke Tap Support Arm to provide additional support. Please ensure all Franke tapware is installed at a pressure of no greater than 500 kPa in accordance with AS/NZS3500 and insist that your plumber flushes all of the water supply lines before installing tapware. Failure to do so may void warranty.