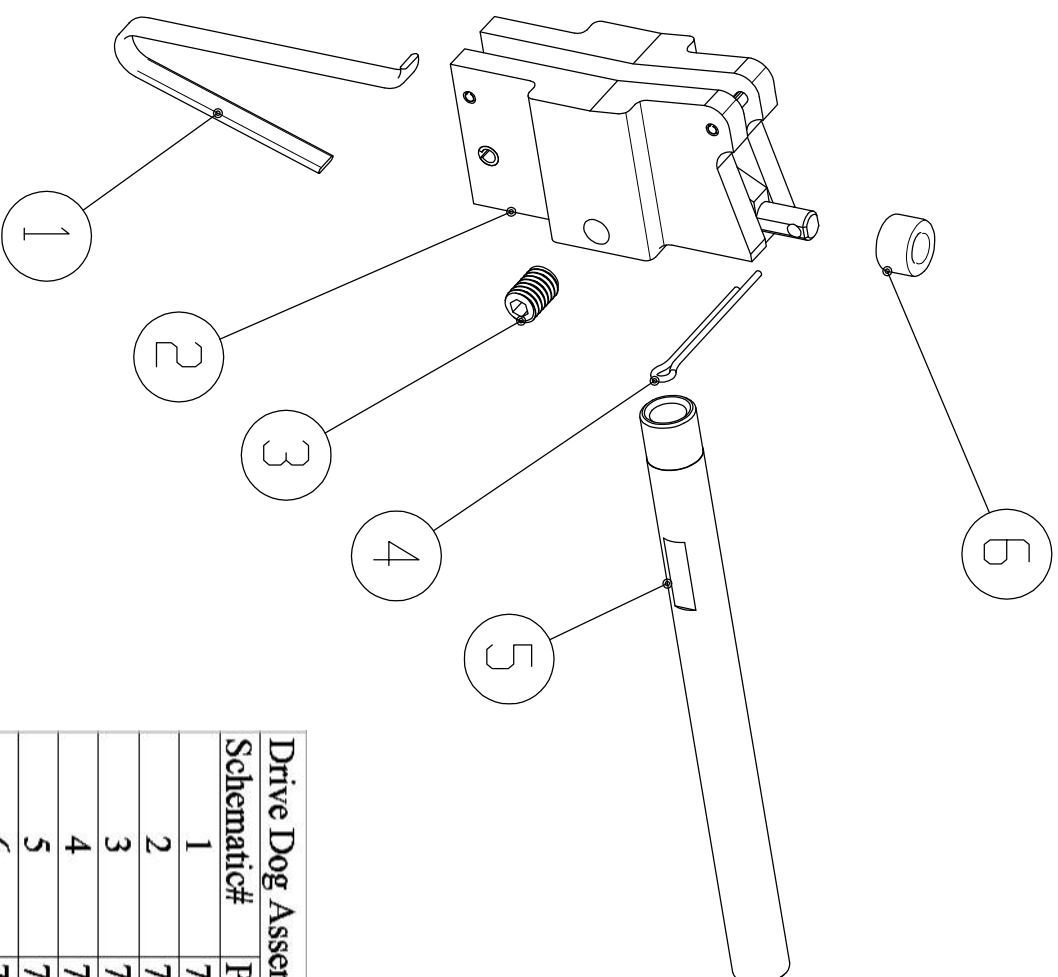


LEVEL 5



Drive Dog Assembly 7097		
Schematic#	Part#	Description
1	7094	Drive dog spring
2	7269	Drive dog body
3	7060	Drive dog set screw
4	7116	Cotter pin
5	7100	Drive dog shaft
6	7089	Drive dog roller

Drive Dog Assembly-7097