



## Technical Information

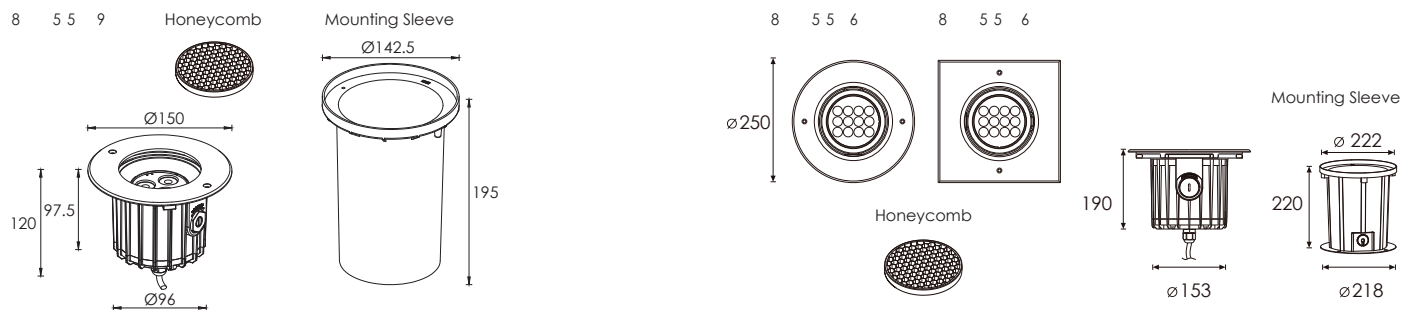
### Structure

	7 G
	ATP adp f T Tf p faT phTdSp p dpA dP p
	h p pp d
pB dT	2p p p p
Di pp obpprob m f v	f p P p p p p

### Performance

	B
	L f f T f f d f f f d
	1
	. 0
dT p f d	4 1 41

### Dimensions



### Photometry

