



# UM1390-6S, UM1390-9S, UM1390-12S // 60cm, 90cm & 120cm // SILENT



// UM1390-9S (90cm)

## PRODUCT DESCRIPTION

- stainless steel finish
- silent Isodrive® motor system
- soft-touch controls, digital display
- 5 x speed levels
- 15 minute delay timer with auto shut-off
- 2 x LED lights
- stainless steel, dishwasher safe filters
- baffle filter available
- 5 Year Warranty on Canopy

## TECHNICAL DATA

### UM1390-6S

- dimensions: (W x D) 598 x 390mm
- 2 x mesh filters

### UM1390-9S

- dimensions: (W x D) 898 x 390 mm
- 3 x mesh filters

### UM1390-12S\*

- dimensions: (W x D) 1181 x 390 mm
- 4 x mesh filters

## ISODRIVE® OPTIONS

- **ST** single external motor
  - 900 m<sup>3</sup>/h airflow
  - 200mm SteelFlex™ ducting (4m)
  - install roof/wall
  - rated power: 57W
- **SP** single external motor
  - 1600 m<sup>3</sup>/h airflow
  - 200mm SteelFlex™ ducting (6m)
  - install roof/wall
  - rated power: 155W
- **SE** single external motor
  - 3200 m<sup>3</sup>/h airflow
  - 250mm SteelFlex™ ducting (4m)
  - 200mm SteelFlex™ ducting (2m)
  - SE accessory kit required
  - install roof/wall
  - rated power: 137W

\*Note: The SE is used only by the UM1390-12S.



// UM1390-12S (120cm)



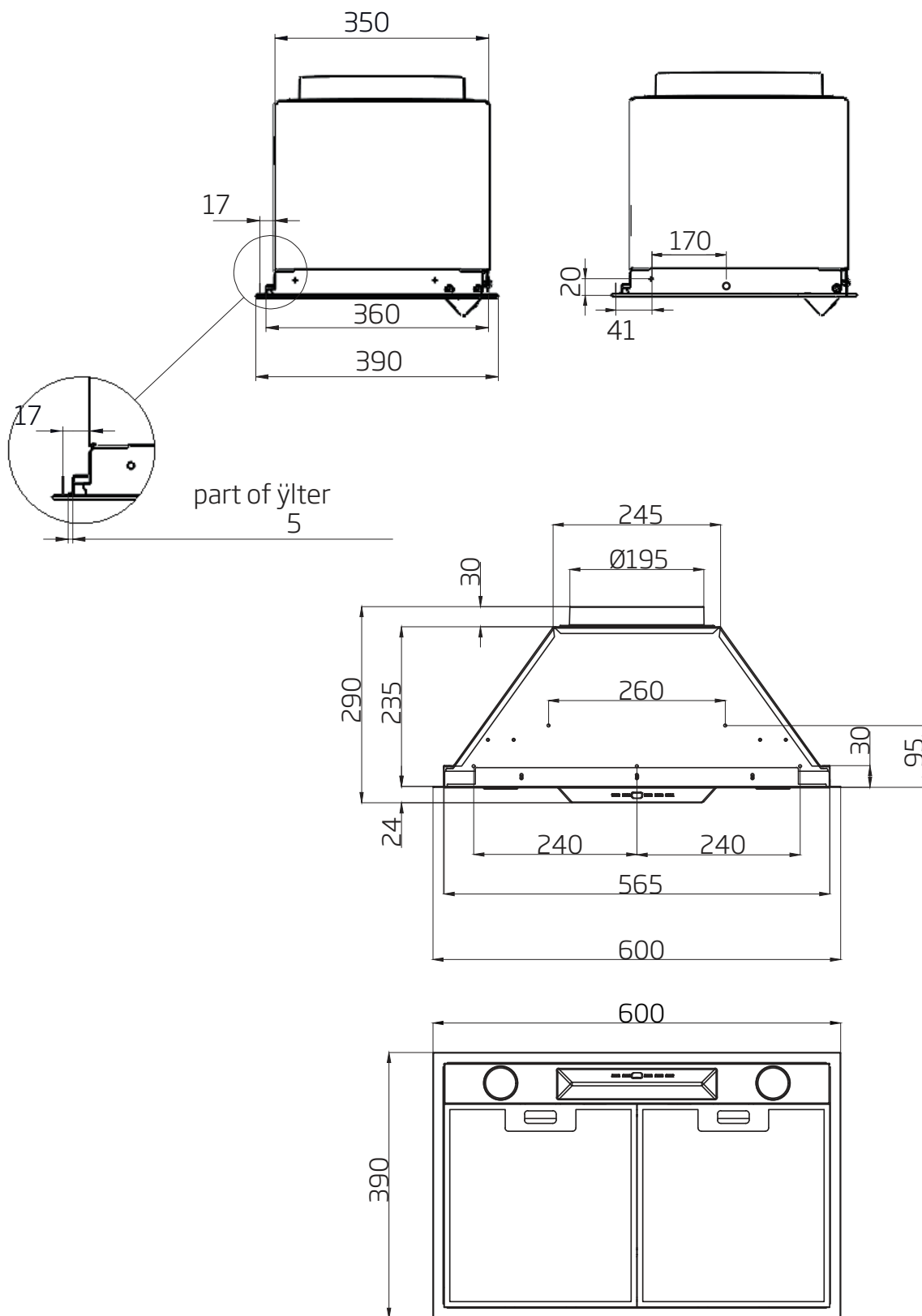
// UM1390-6S (60cm)

Simply discreet and concealed, this most recent addition to Schween's classic range is specially designed for the ultimate extraction of unwanted odours and cooking vapours.

The UM1390 fits deeper into cabinetry than most other undermount rangehoods. Due to its larger extraction zone, this model is simply exceptional in the removal of fats, oils and grease, leaving your kitchen fresher for longer.



**UM1390-6S, UM1390-6BS // 60cm // SILENT**



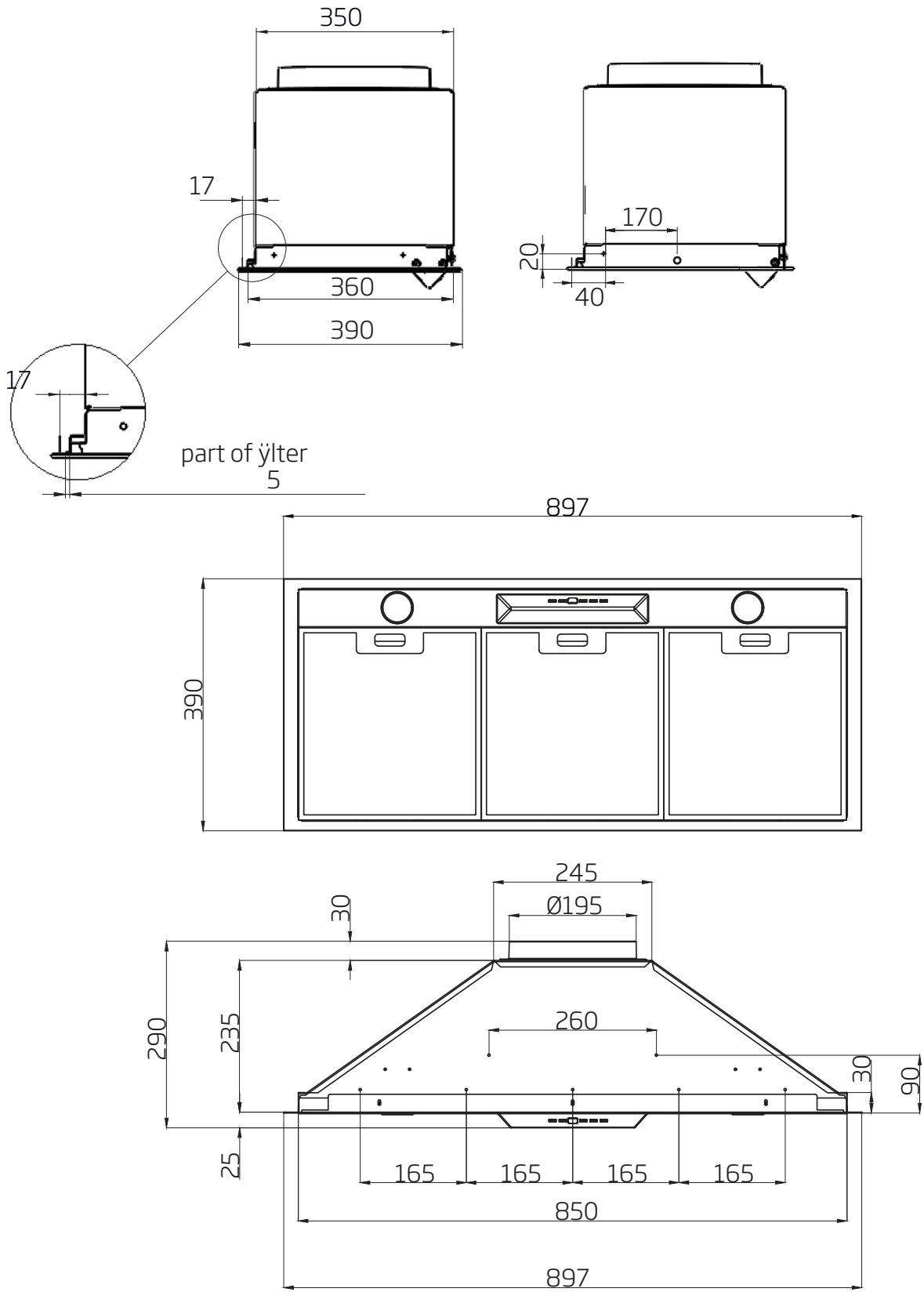
**Model:** UM1390-6S, UM1390-6BS

**Feeding Voltage:** 220-240V 50Hz

**Max Lamp Power:** 2 x 3W



UM1390-9S, UM1390-9BS // 90cm // SILENT



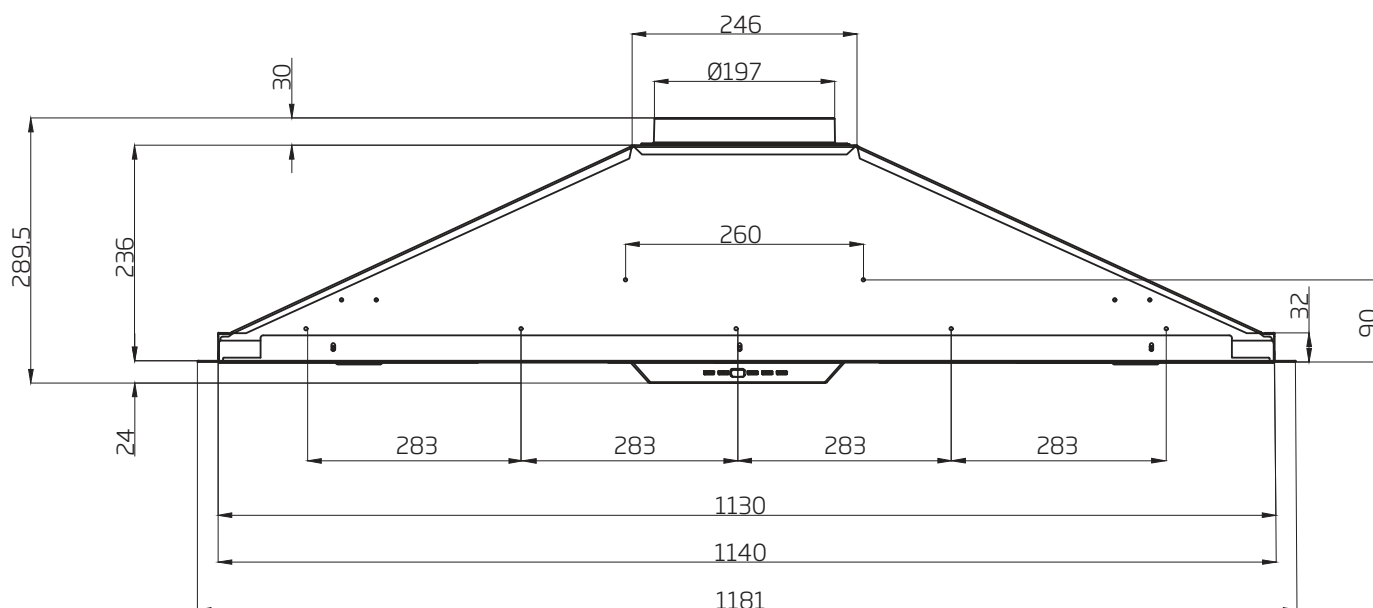
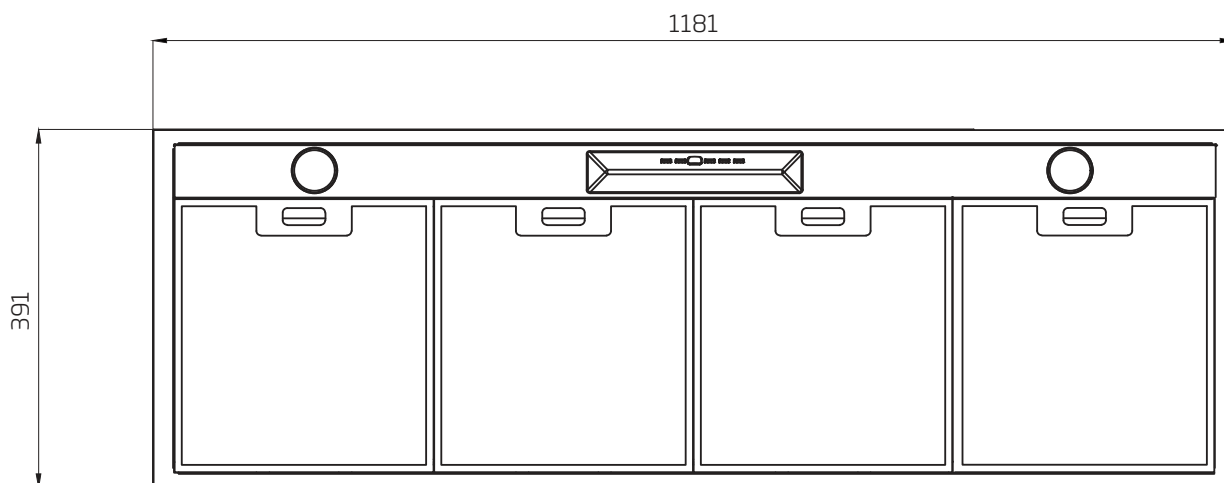
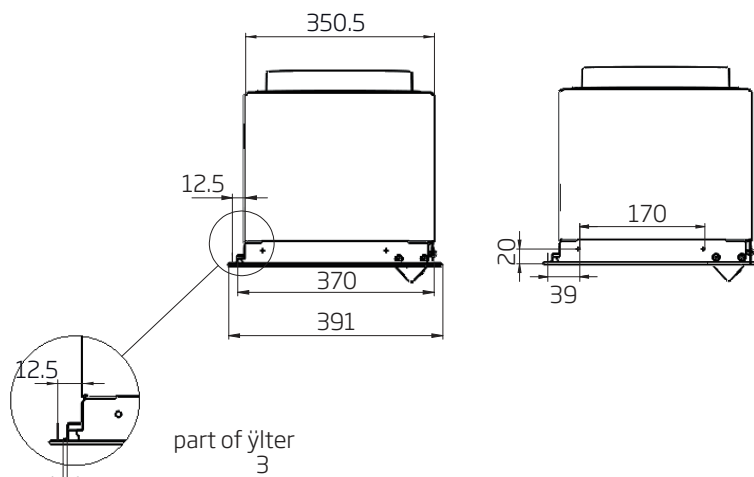
**Model:** UM1390-9S, UM1390-9BS

**Feeding Voltage:** 220-240V 50Hz

**Max Lamp Power:** 2 x 3W



**UM1390-12S, UM1390-12BS // 90cm // SILENT**



Model: UM1390-9S, UM1390-9BS

Feeding Voltage: 220-240V 50Hz

Max Lamp Power: 2 x 3W