

GG-901, GG-901B // 90cm // ON-BOARD MOTORED UNDERMOUNT RANGEHOOD



Perfectly designed for discreet mounting inside cabinetry, the popular GG-901 and GG-901B fit perfectly into kitchen cabinetry and are ideal for kitchens where space is limited, or where the rangehood needs to be out of sight.

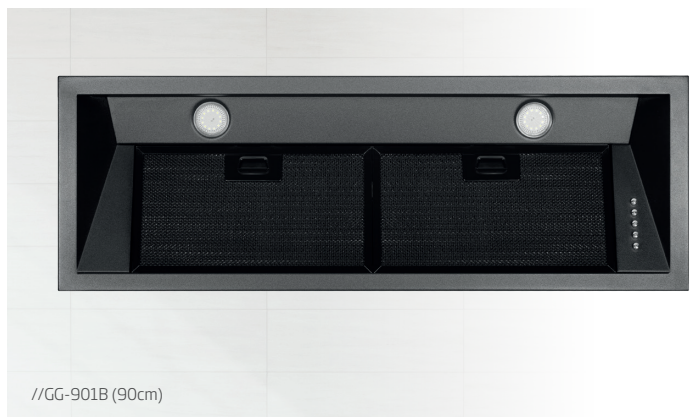
Powerful extraction delivers efficient extraction of steam, smoke and odours, leaves kitchen air fresher.

PRODUCT DESCRIPTION

- Powdercoated matte black and stainless steel available
- 3 x speed levels
- 2 x LED lights
- dishwasher safe metal filters
- 3 Year Warranty on rangehood
- recirculating carbon filter available*

GG-901, GG901B

- Airflow rate: 1080m³/h
- dimensions: (W x D) 863.6mm x 295mm
- 2 x filters

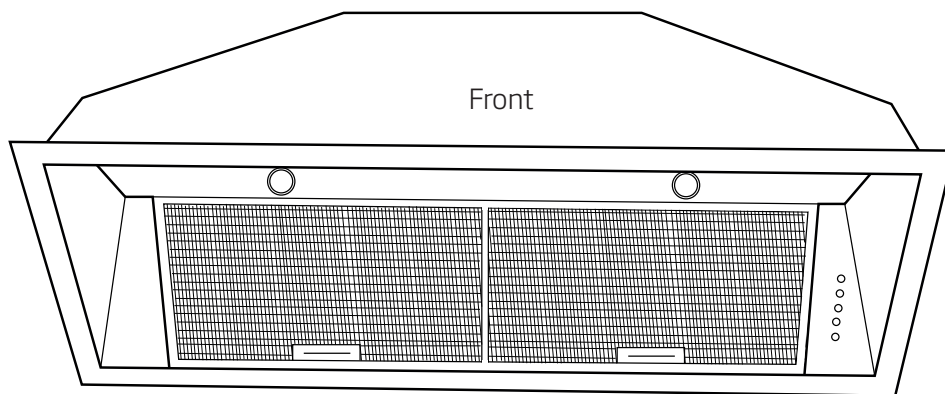




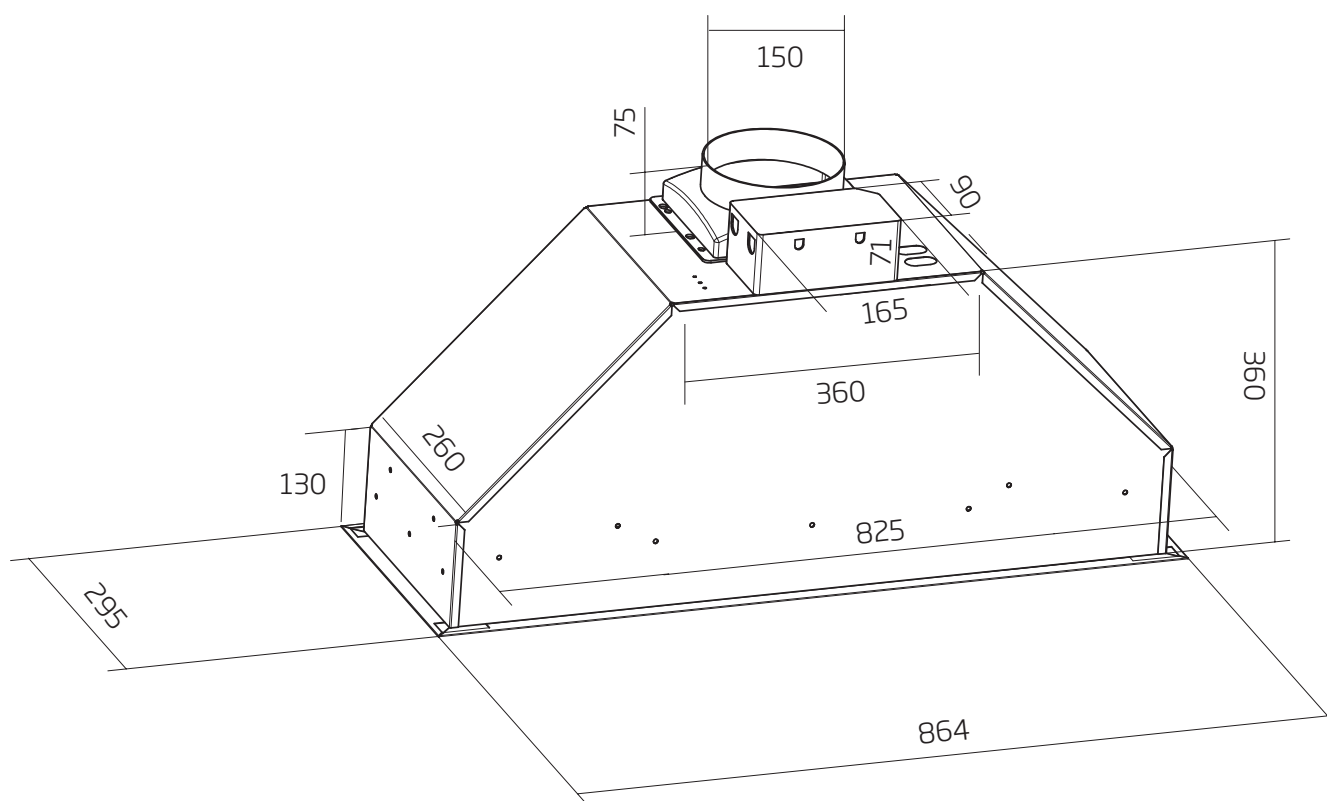
GG-901, GG-901B // 90cm // ON-BOARD MOTORED UNDERMOUNT RANGEHOOD

EXCLUSIVE TO

THE GOOD GUYS



Back to wall



Model: GG-901, GG-901B

Feeding Voltage: 220-240V 50Hz

Max Lamp Power: 2 x 3W