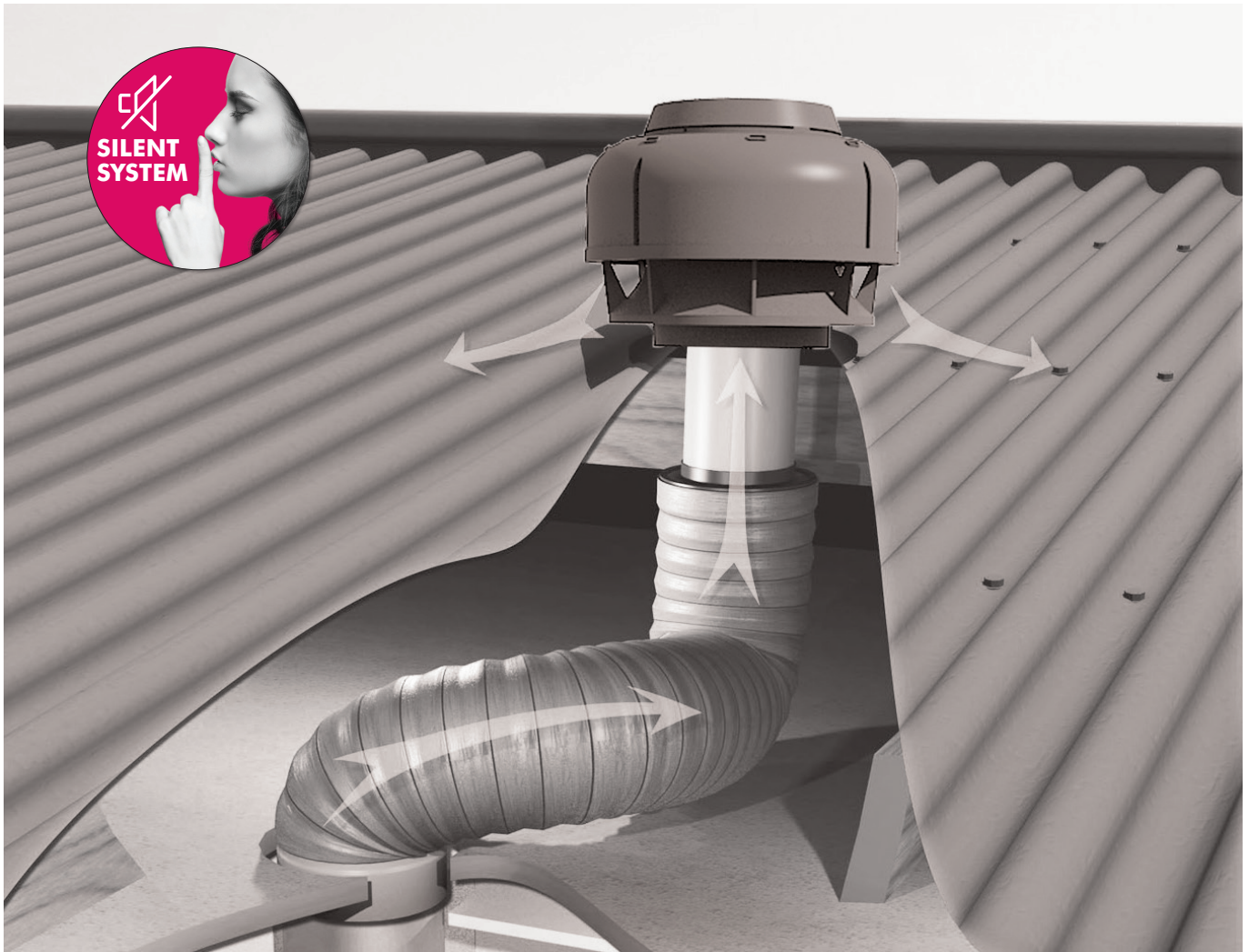


ISODRIVE® 900 SILENT RANGEHOOD MOTOR SOLUTION



- Schweigen's patented Isodrive© motor solution is to take the fan and motor out of the rangehood and mount them outside the home on the roof or wall
- German engineered Silent Isodrive® 900m³/h motor with patented Australian venting system
- Extracts smoke, steam and airborne grease, fat and oil particles in one complete process
- Unique motor design resulting in minimal external obstruction
- Motor housing is made from ASA, the most durable of plastics
- 3 times more efficient when compared to a traditional internally motored rangehood
- Suitable for use with Schweigen **Silent** wallmount, undermount and island rangehoods



ISODRIVE® 900 SILENT RANGEHOOD MOTOR SOLUTION

DESCRIPTION

- Isodrive® motor with mounting system
- Patented anti-water intrusion, weather protection system (IPX4 rated)
- Super quiet, long vane, backward curved centrifugal fan
- Motor can be mounted 3 to 5 metres from the rangehood
- Mounts on the roof or wall
- Ducting included

TECHNICAL DATA

Isodrive® 900

- Fan Module
- 3.5 metre 10amp cable
- Bell Mouth Adaptor
- Flexible Ducting (6m), 200mm
- 150mm Fire resistant PVC riser pipe
- Instruction Manual

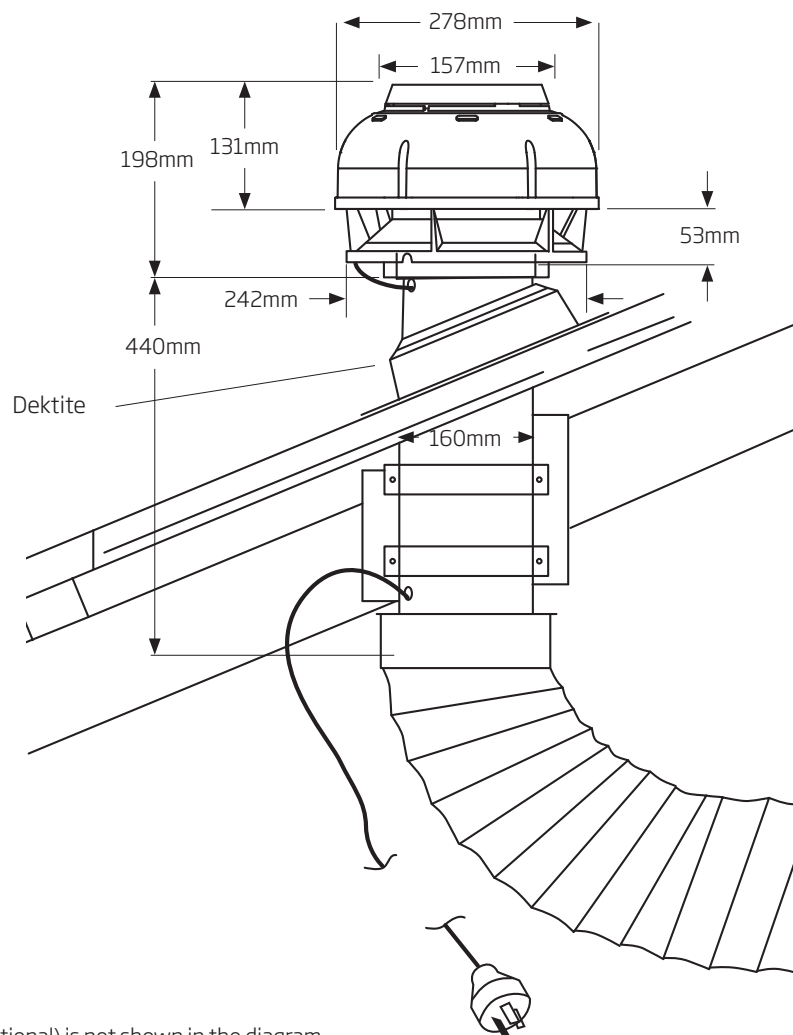
Optional Accessories:

- Back draft shutter
- Wall cover plate

MOTOR POWER

- **Single motor** - 900m³/hr extraction power
- 10 Year Warranty on Motor

For more information



Shutter assembly (optional) is not shown in the diagram.