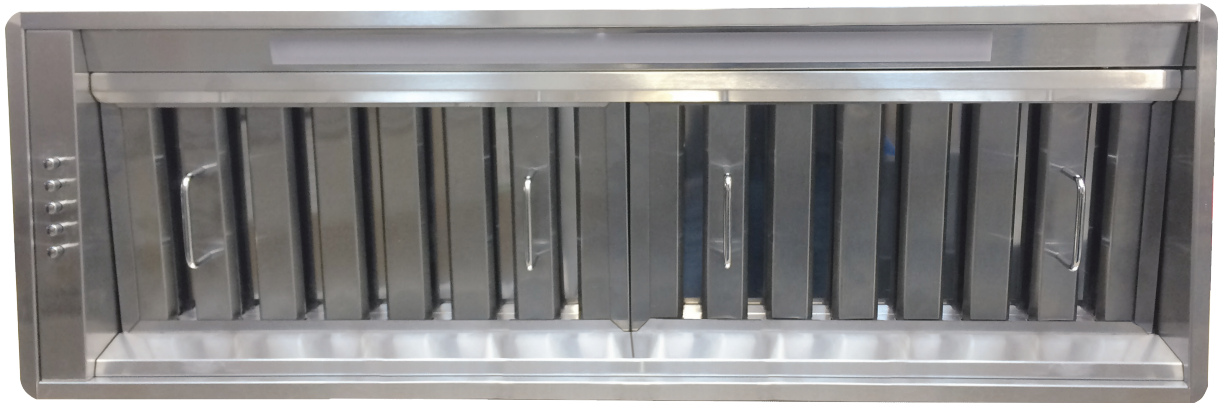
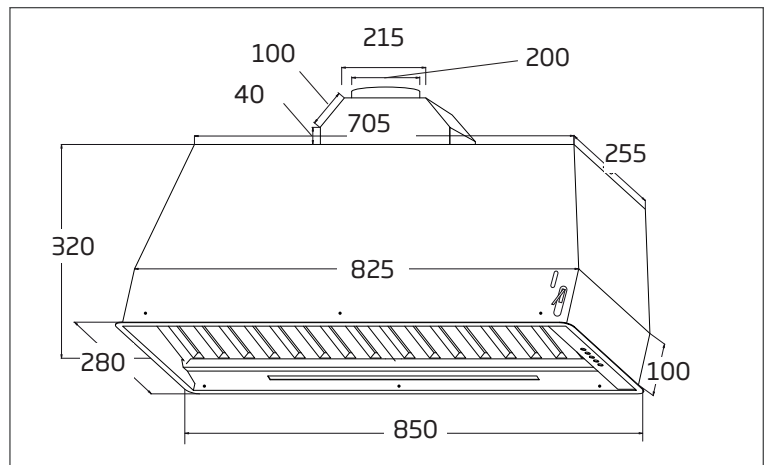


>> **HN-20C** rangehood/**UNDERMOUNT**/90cm



- **innovative design** - this stainless steel undermount rangehood integrates seamlessly with cabinetry for industrial kitchen styling.
- **powerful extraction** - 2200m³/hr of airflow, efficient extraction of steam and smoke, leaves kitchen air fresher.
- **3 speed levels** - easy to use push button controls.
- **baffle filters** - dishwasher safe, commercial grade, lifetime warranty





FREE DUCTING

3YR

LIMITED WARRANTY

LIFETIME

★★★★★

FILTER WARRANTY

Description	Technical data
<ul style="list-style-type: none"> • stainless steel finish • 3 speed button controls • 1 x LED strip light • 2 x baffle filters, dishwasher safe filters • 3 Year Warranty 	<p>HN-20C</p> <ul style="list-style-type: none"> • dimensions: (W x D) 850 x 280 mm • quad fan, twin motor 2200m³/h airflow