

CEILINGS

INSTALLATION GUIDE

Partitions

Partitions are vertically installed unframed units. It is available in different sizes and a wide range of colors. Two hanging methods: free hanging of each of the baffles or using a connector profile that maintains a uniform hanging.

THICKNESS

12 mm

24 mm

HEIGHT

240 cm

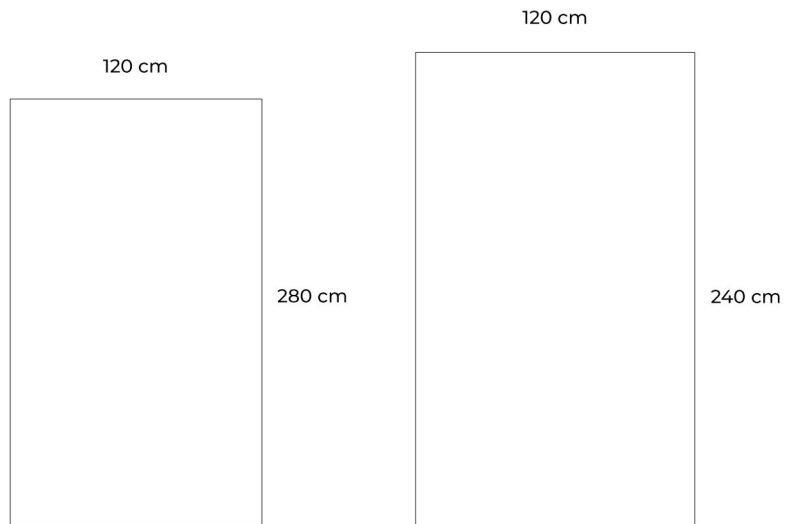
280 cm

WIDTH

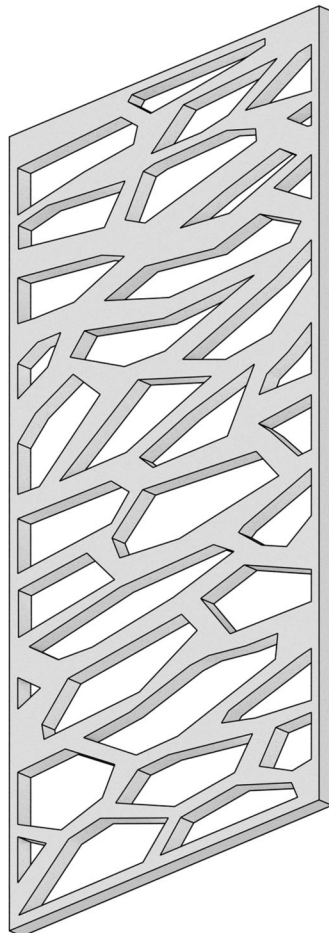
120 cm

Customized sizes are available.

DIMENSIONS

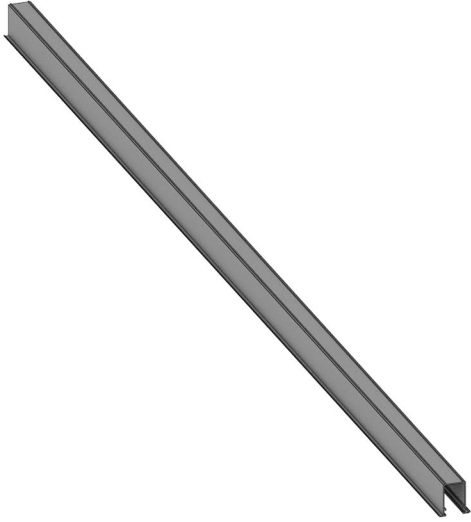


ISOMETRY



INSTRUCTIONS

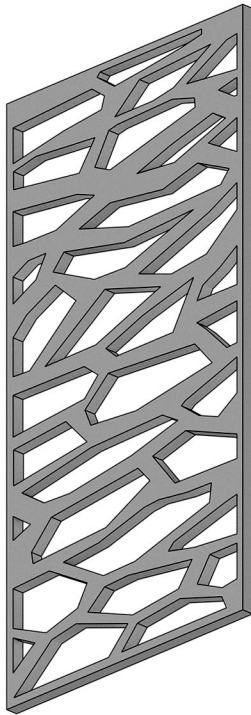
These are your parts.



U Shaped Profile
Dismountable Tile



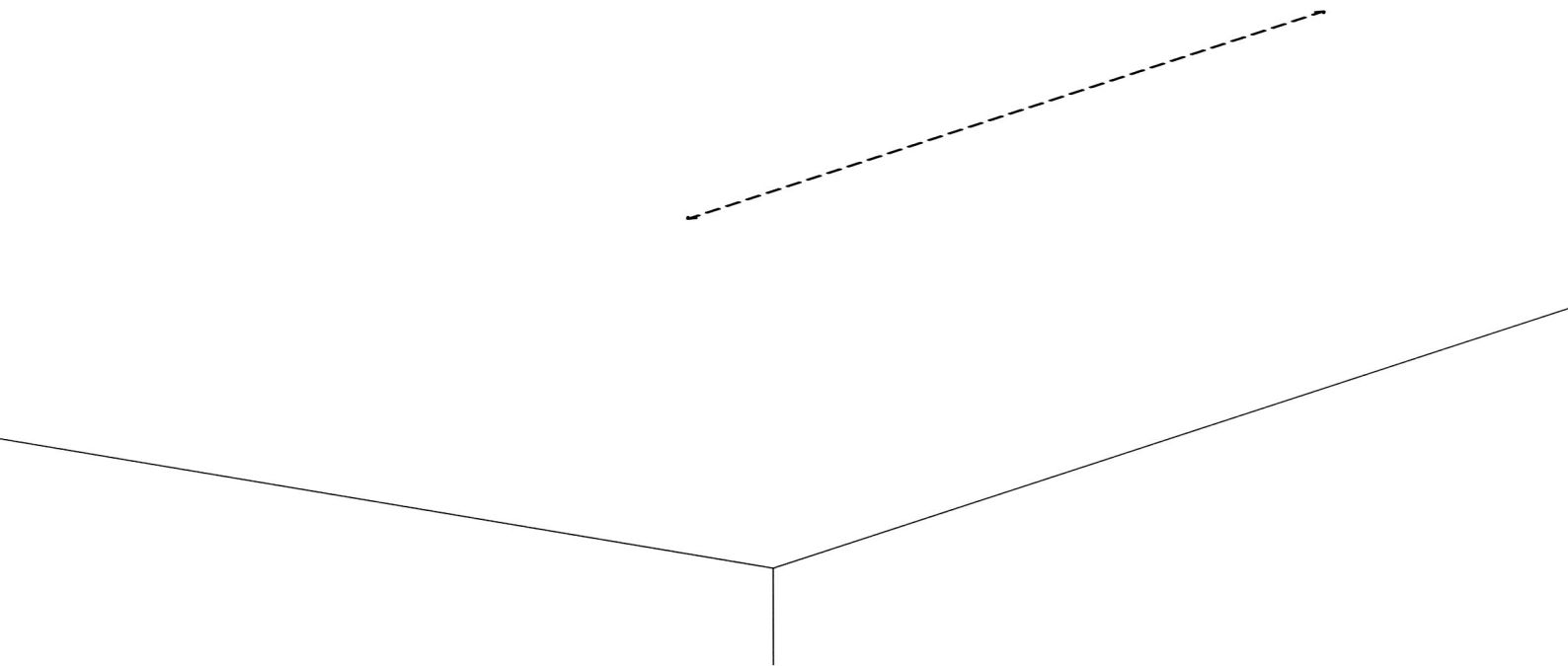
Dedicated Cable
Hanging Accessory



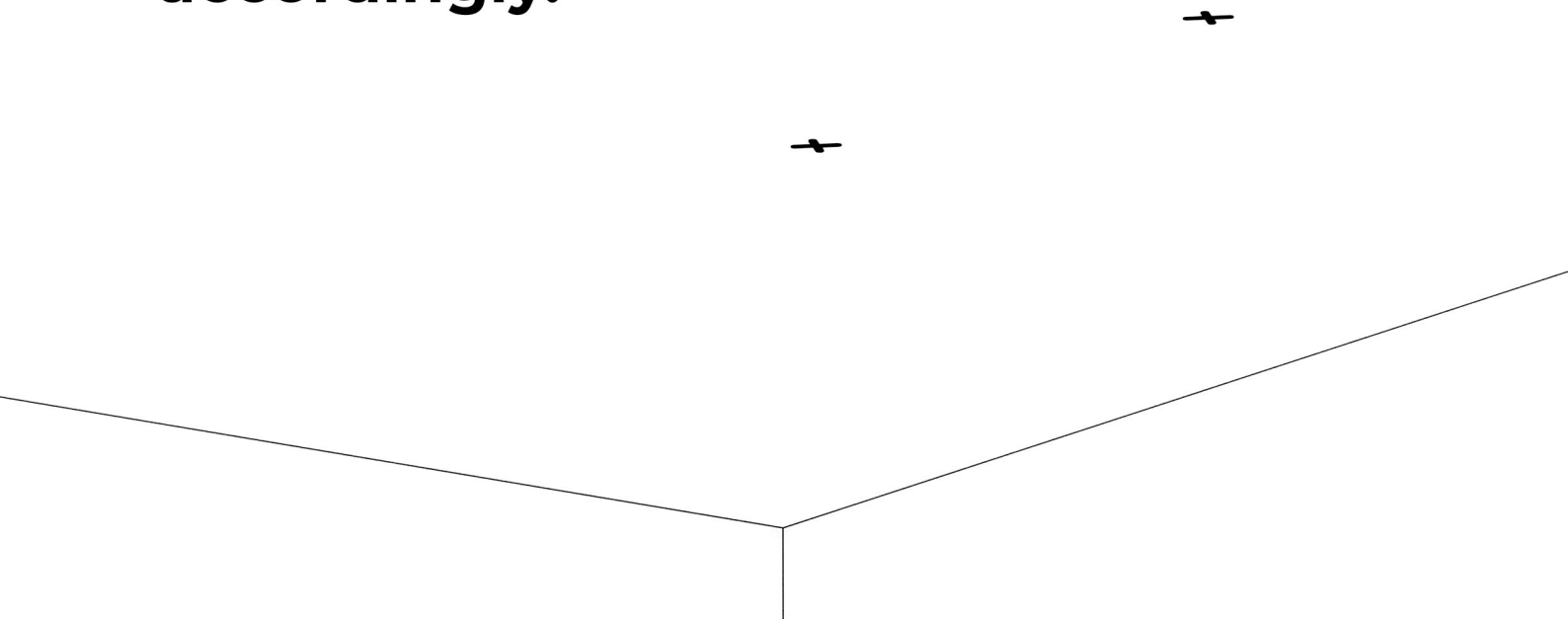
Different sized Partitions
Dismountable Tile

TYPE A (Uniformed Hanging)

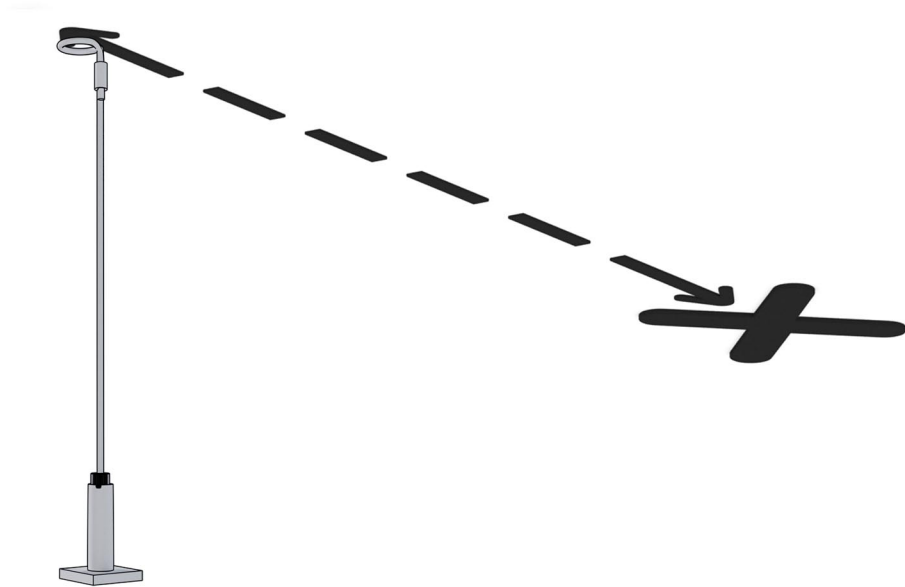
- ① **Mark the ceiling line on the above ceiling. Keep a gap of 80-120 cm between hanging rows.**



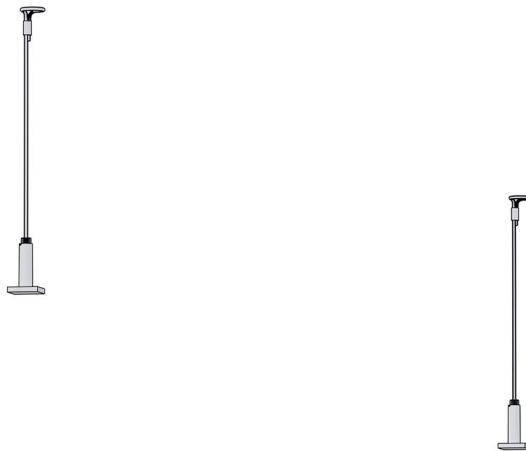
- ② **Install the adjustable hangers accordingly.**



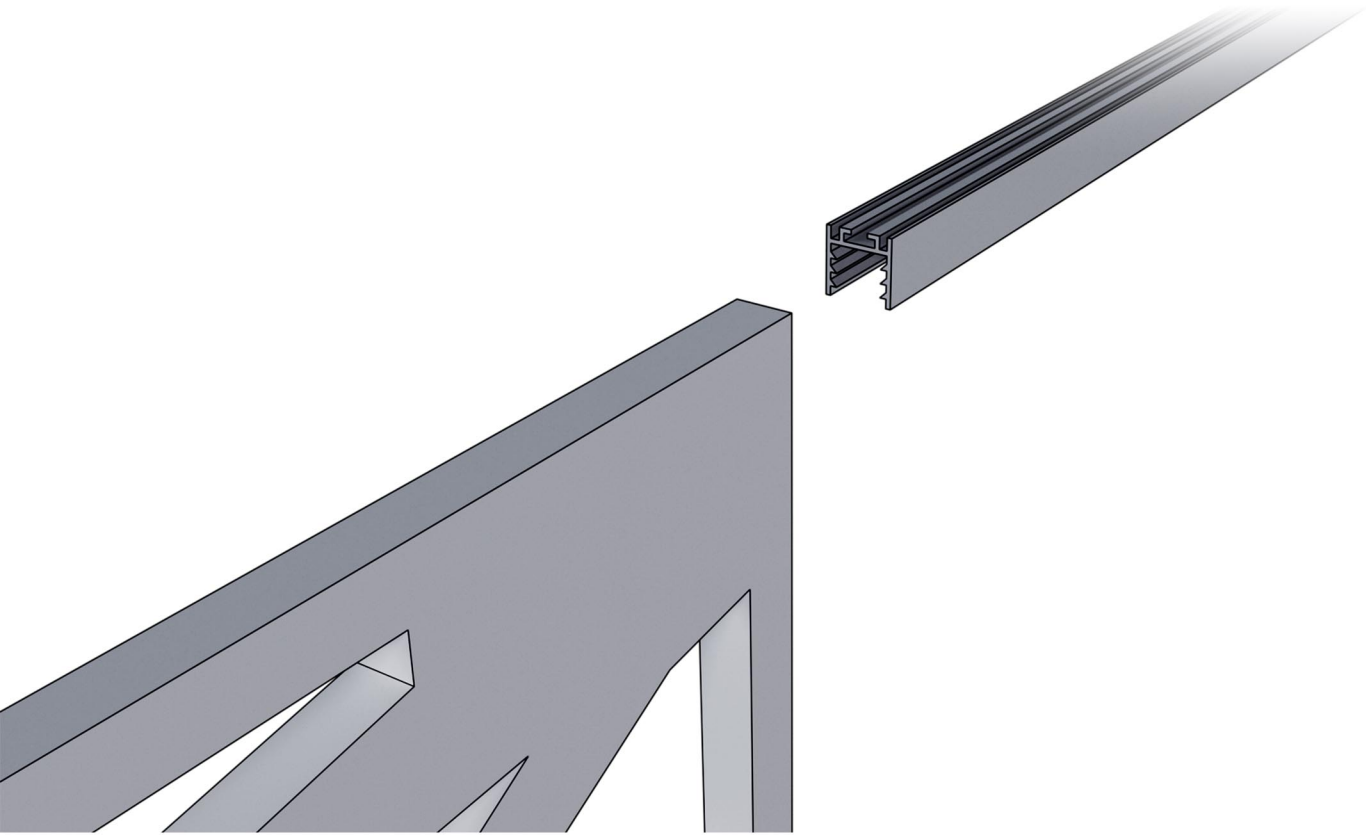
3 **Screw the cables into the marks on the ceiling**



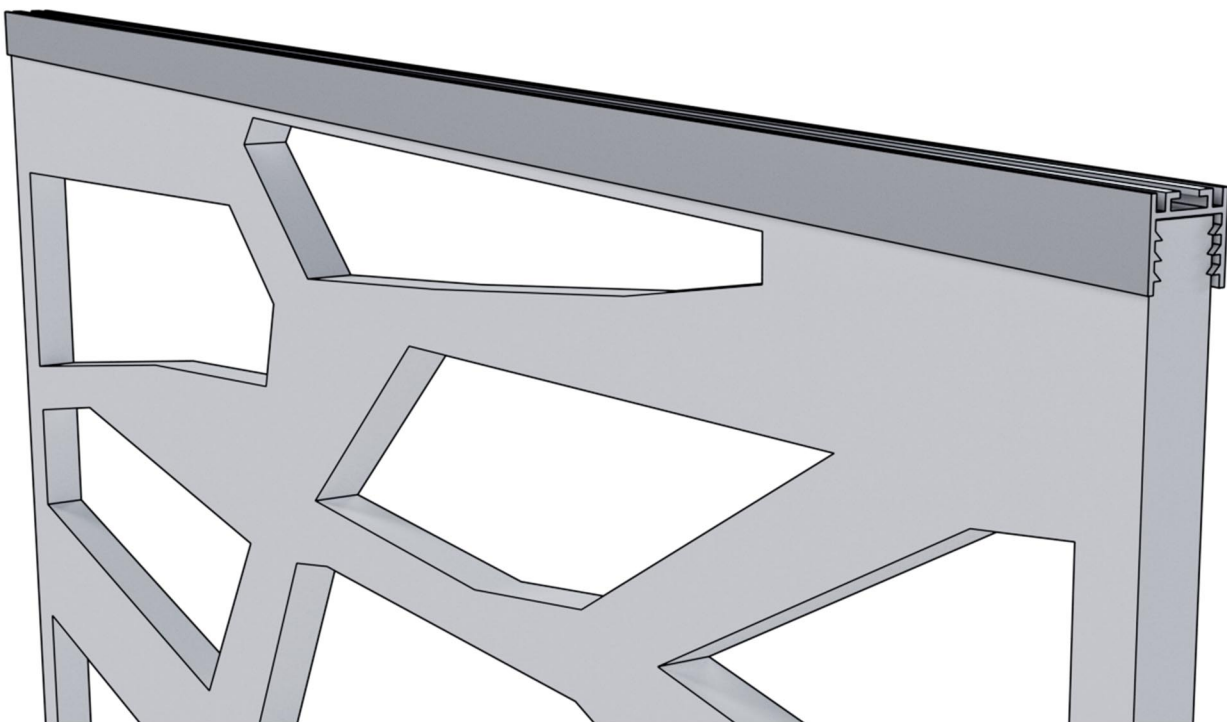
4 **Repeat the previous step to on both corners**



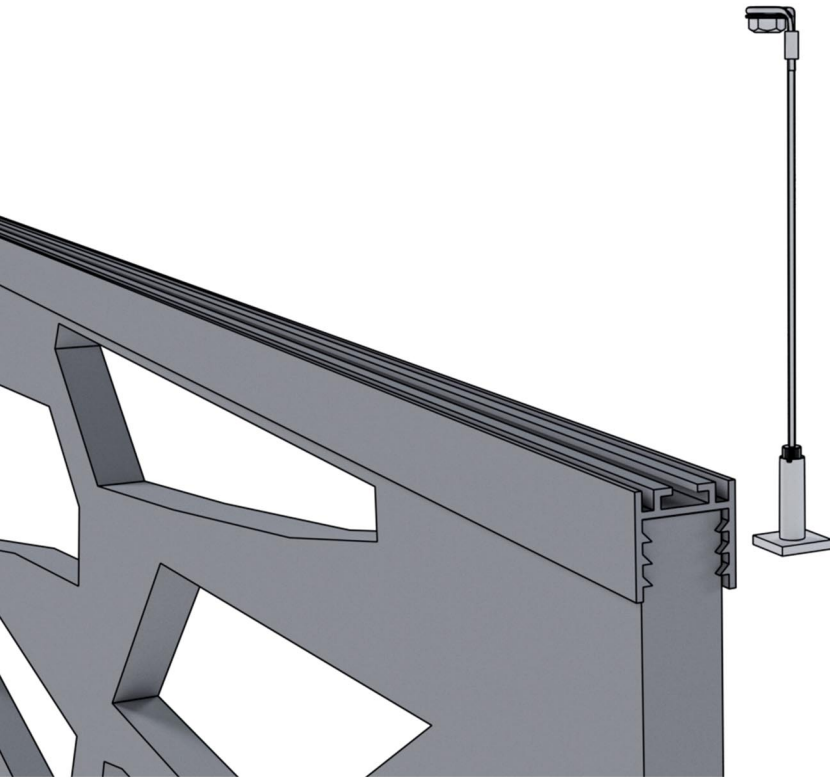
5 **Slide the U profile into the partition**



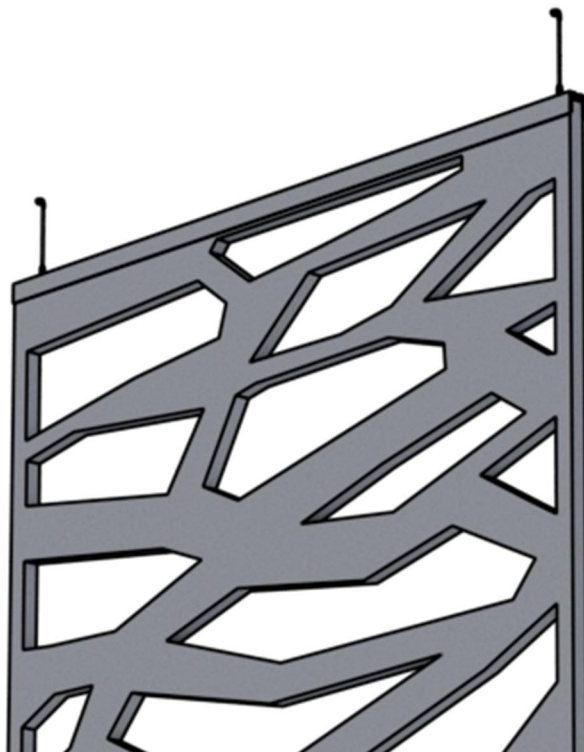
6 **Make sure it is all the way through**

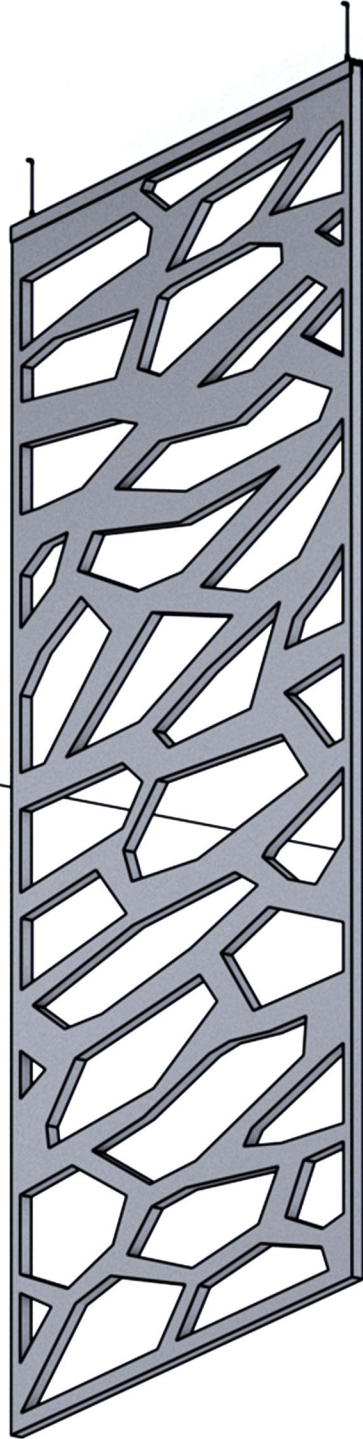


⑦ **Slide the adjustable hanger into the U shaped profile**

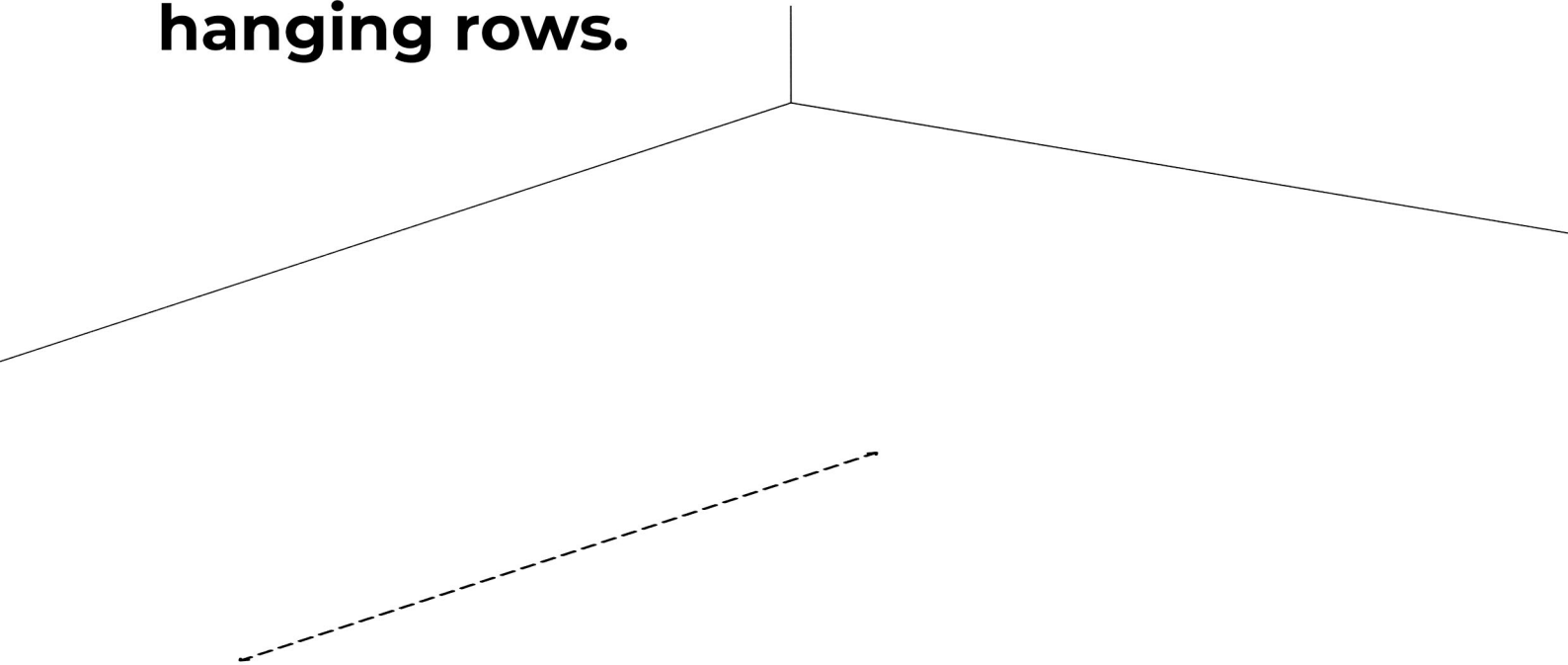


⑧ **Make sure it is all the way through**

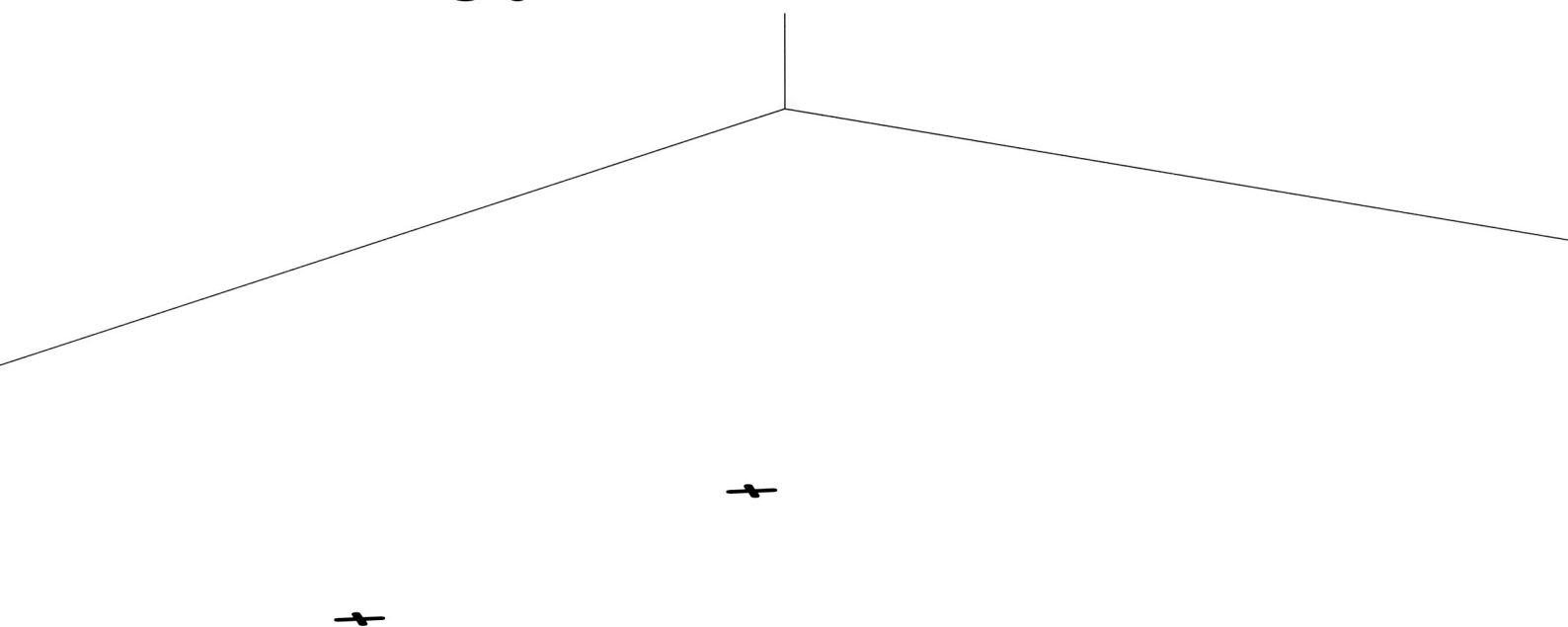




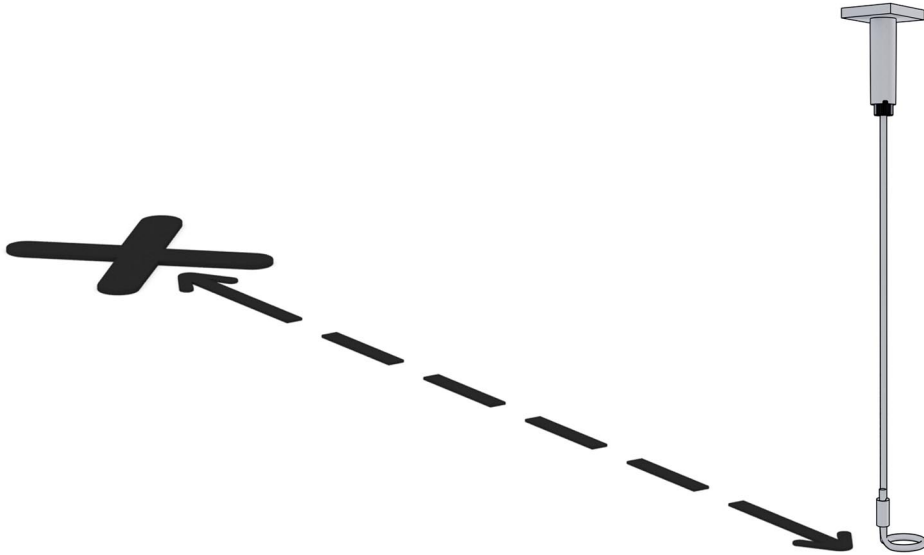
- ① **Mark the Floor line under the ceiling line. Keep a gap of 80-120 cm between hanging rows.**



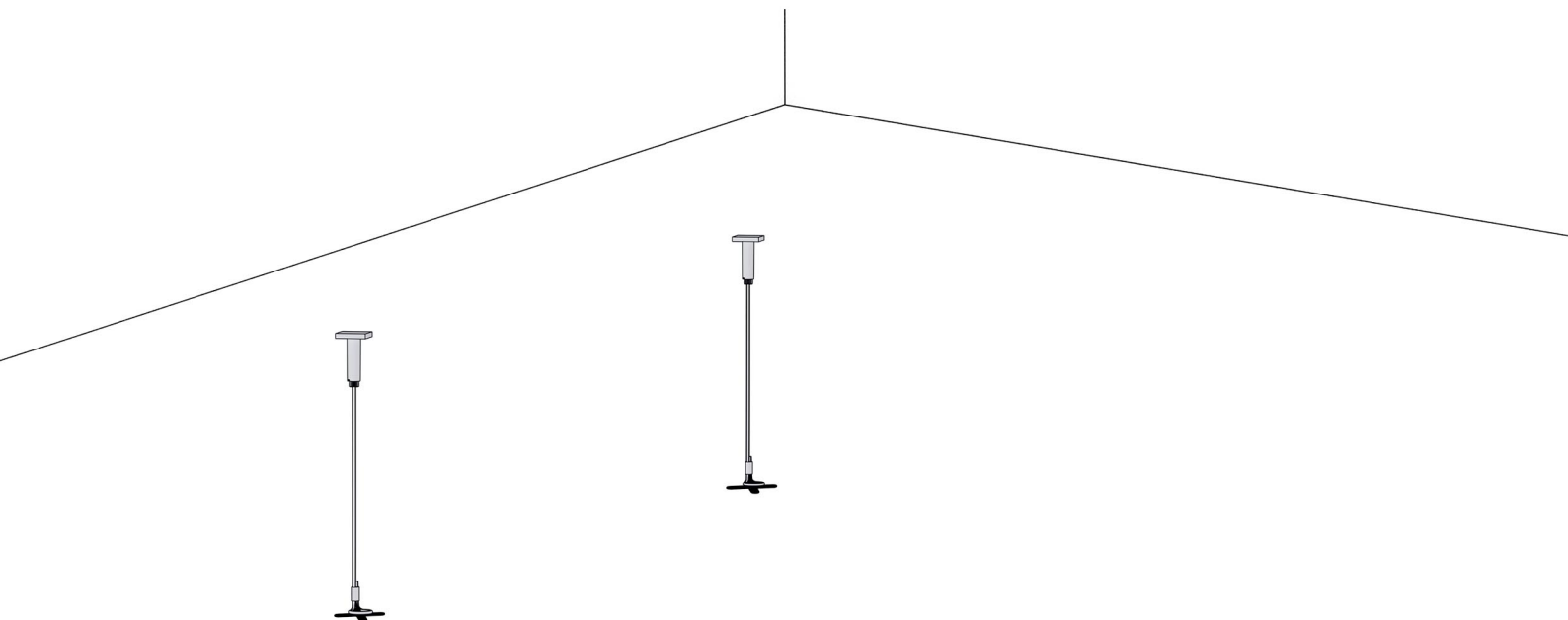
- ② **Install the adjustable hangers accordingly.**



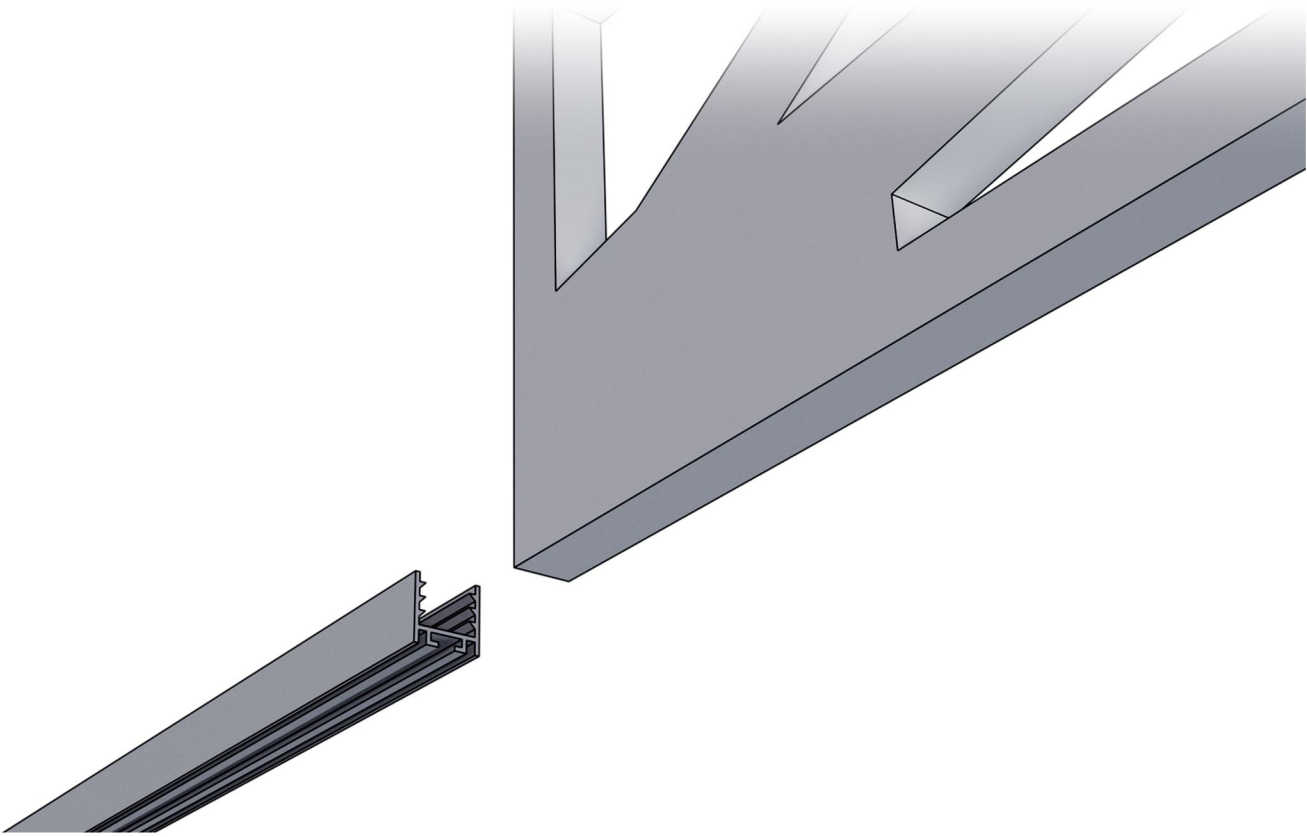
③ **Screw the cables into the marks on the floor**



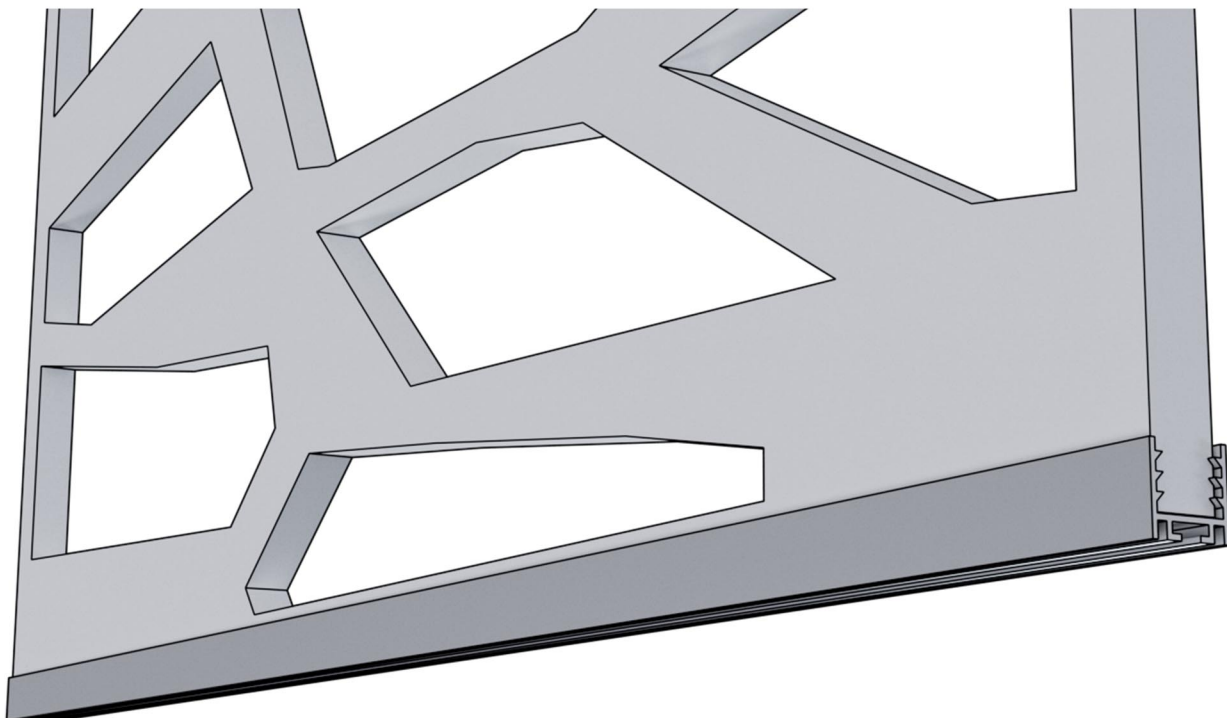
④ **Repeat the previous step to on both corners**



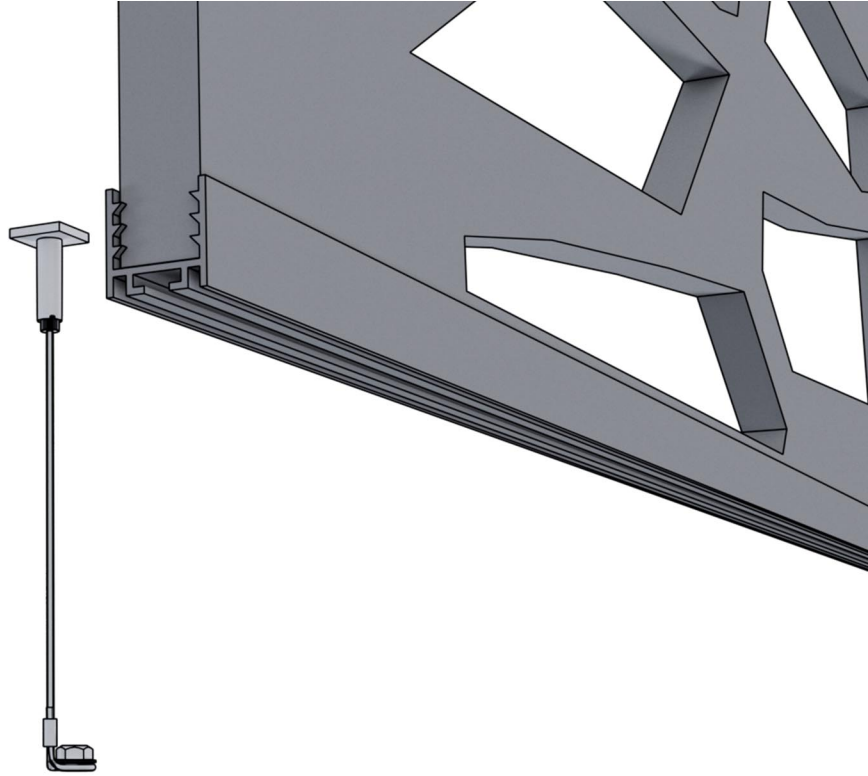
5 **Slide the U profile into the partition**



6 **Make sure it is all the way through**



7 **Slide the adjustable hanger into the U shaped profile**



8 **Do it for both sides**



